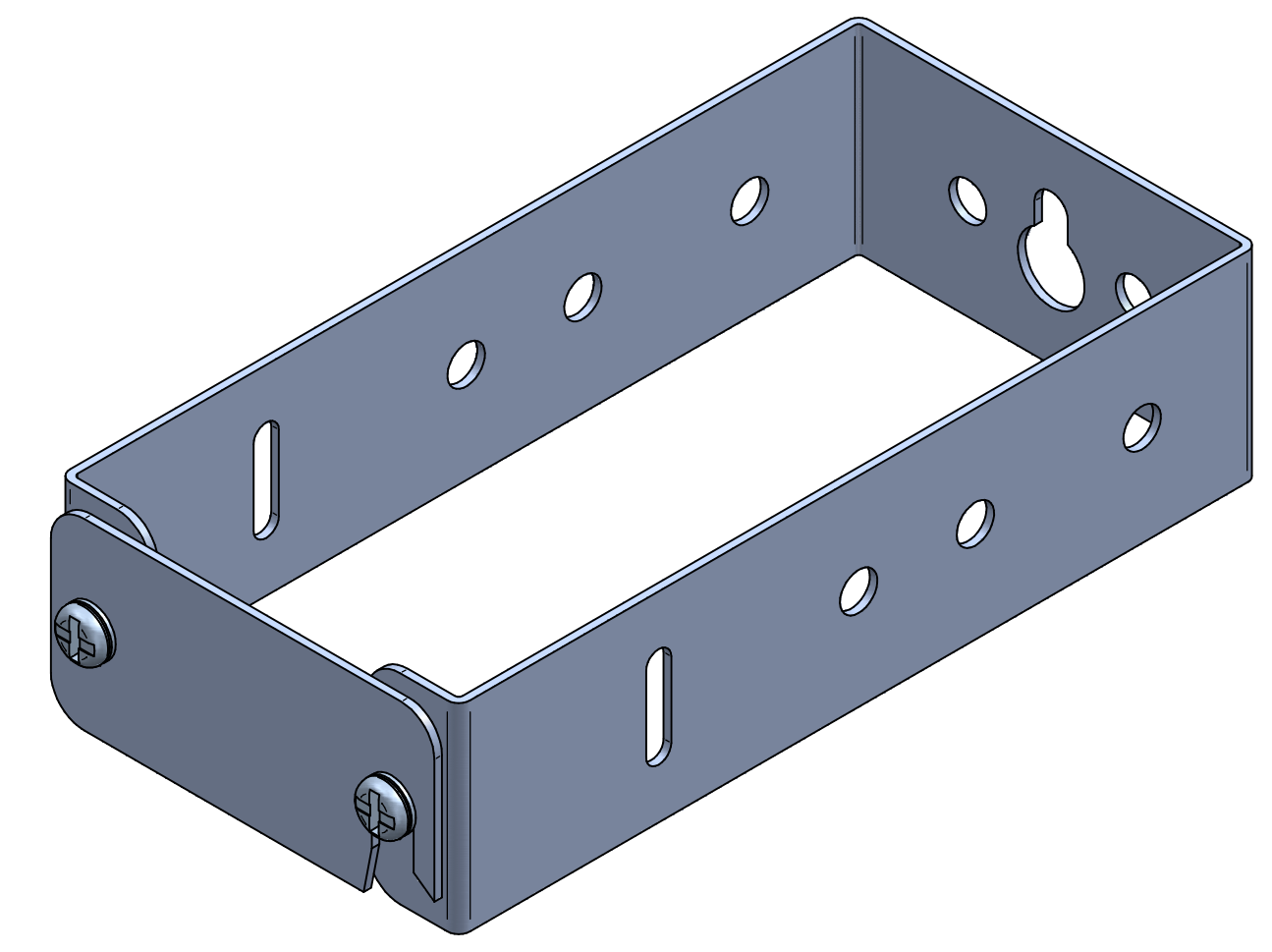
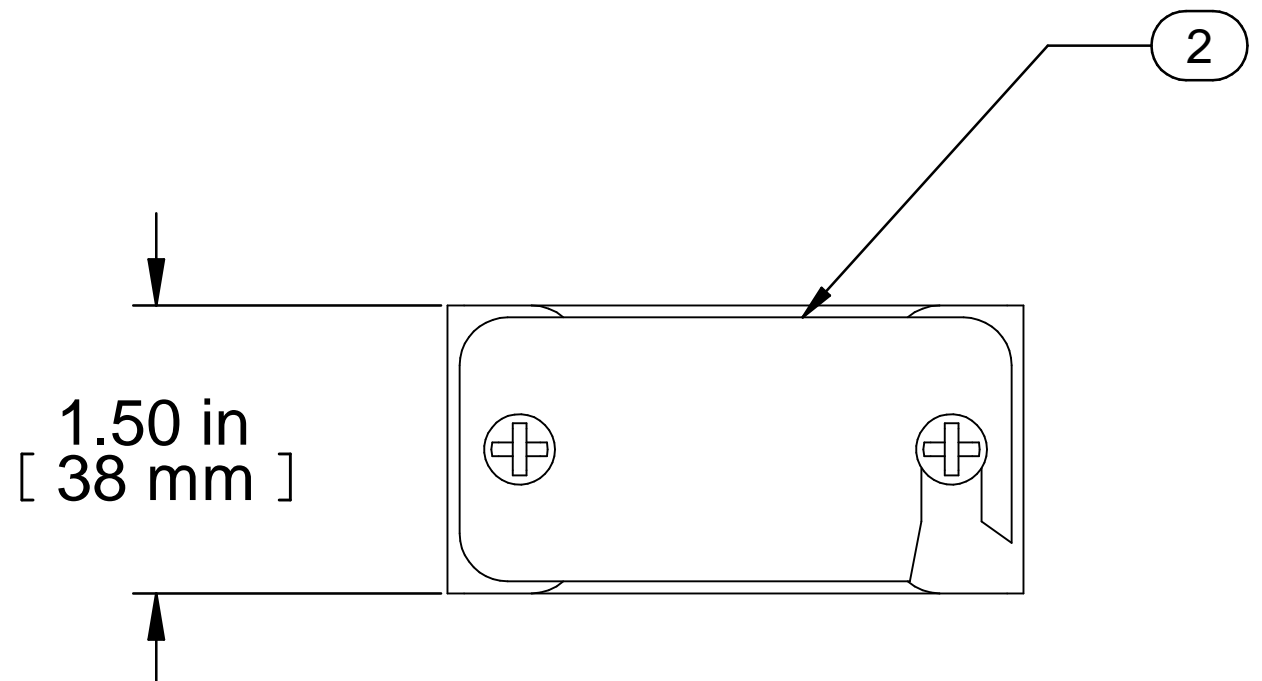


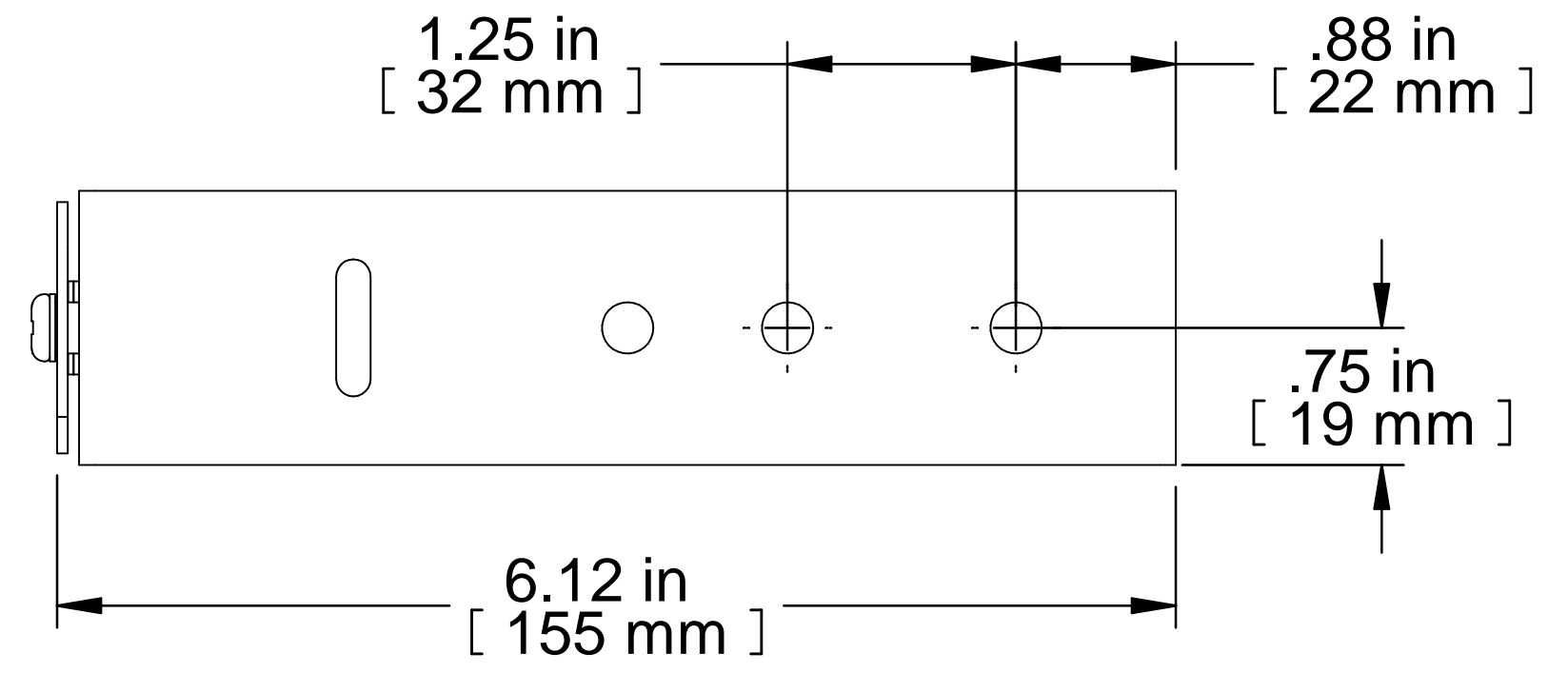
TOP VIEW



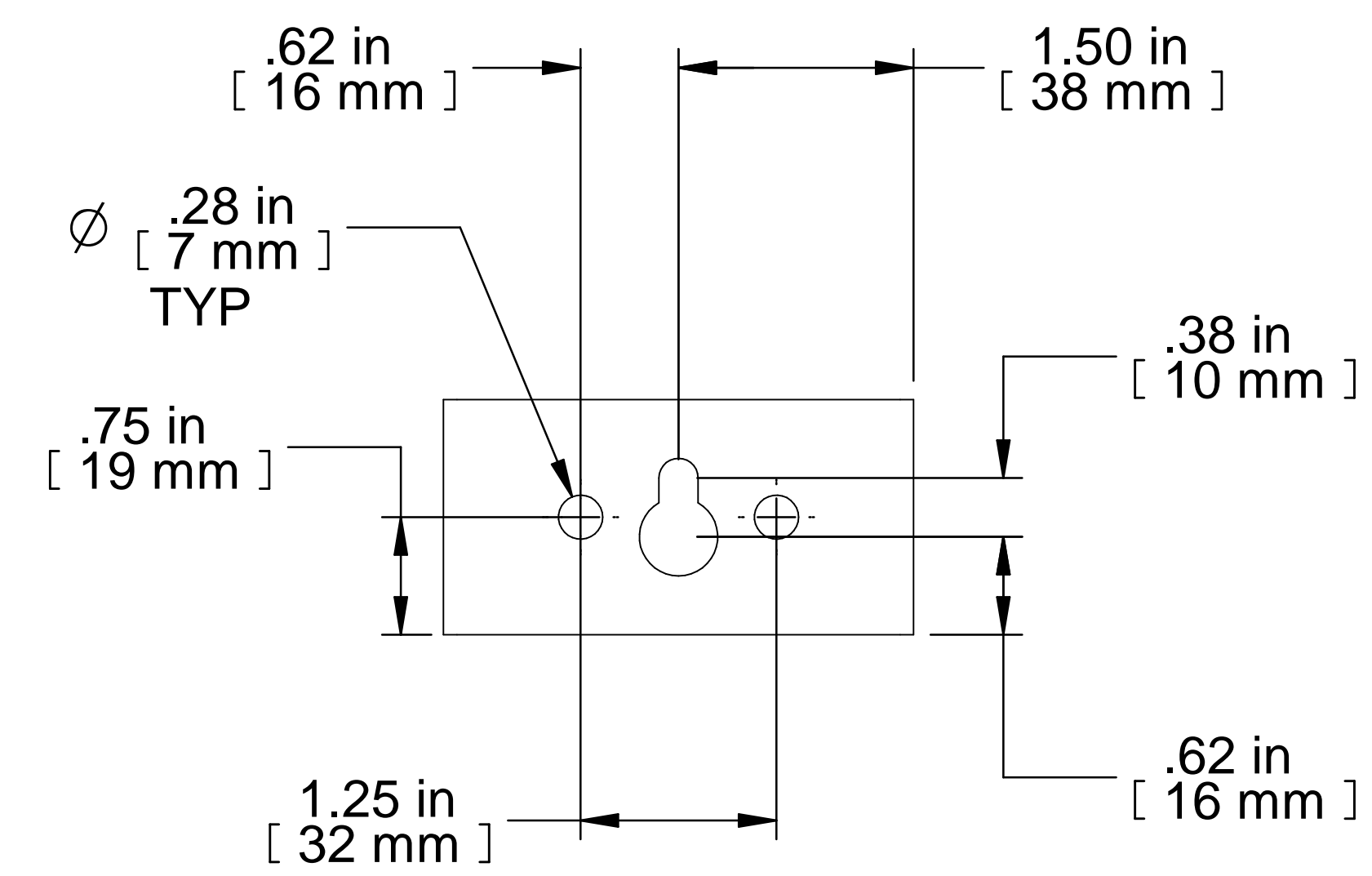
ISOMETRIC



FRONT VIEW



R.S. VIEW



REAR VIEW

Item Number	Title	Quantity
1	CABLE MGMT RING - BODY WELD	1
2	CABLE MGMT RING - COVER	1
3	SCREW 10-32 X 5/8"	2
4	WASHER NYLON .031THK .317 DIA I/S	2

PART NUMBERS

CMRC36BK1	PAINTED BLACK TEXTURED
-----------	------------------------

NOTES

- Able to be Mounted Between Two Racks
- Mounting Hardware Not Included
- See Hammond Website for More Information

Français

Pour tous les détails sur nos produits, svp veuillez consulter notre site www.hammondmfg.com
 Data subject to change without notice. Isometric drawing not to scale.
 Les données sont sujettes à changement sans préavis.

HAMMOND MANUFACTURING®
www.hammondmfg.com
 PART NO. **CMRC36**