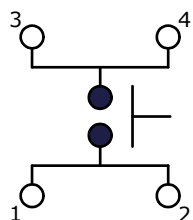
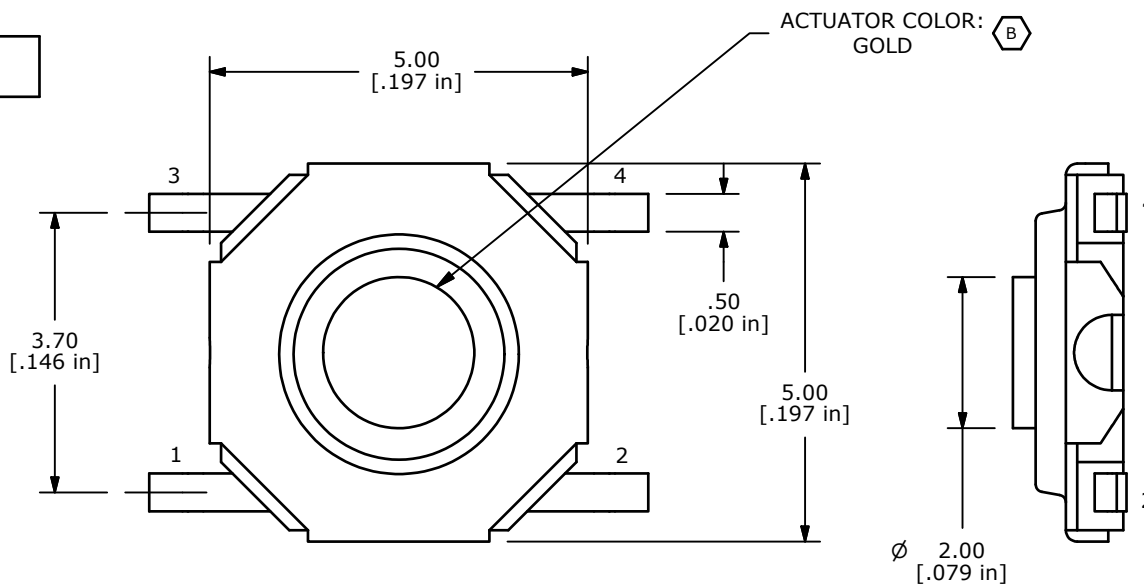


P.C. LAYOUT



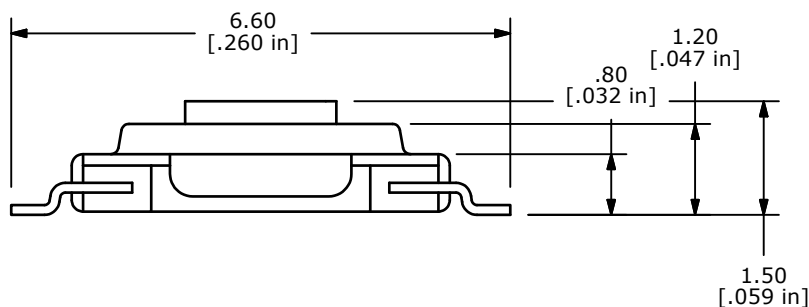
CIRCUIT: SPST



ACTUATOR COLOR: GOLD

NOTES:

1. ALL DIMENSIONS IN MM
2. GENERAL TOLERANCE: X.X=±0.4
X.XX=±0.25
3. TERM. NOS. FOR REFERENCE ONLY.
4. RATING: 12VDC @50 MILLI-AMPS
- ▲ 5. OPERATING FORCE: 450 ± 50 gms
6. TRAVEL: 0.25mm +0.1/-0.2
7. MECHANICAL/ELECTRICAL LIFE 10,000 CYCLES MIN.
- ▲ 8. CONTACT MATERIAL: SILVER
9. CONTACT RESISTANCE: 500 m Ohms max.
- ▲ 10. PACKAGE: TAPE AND REEL, 4000 PER REEL
- 11▲ DENOTES CRITICAL PARAMETER
12. 2002/95/EC (ROHS) COMPLIANT



| | | | | |
|-----|--------|----------------------|----------|----|
| B | 21633 | ADDED ACTUATOR COLOR | 10/15/14 | AS |
| A | 20647 | New Release | 6/13/12 | rc |
| REV | PCR NO | DESCRIPTION | DATE | BY |

| | | | | |
|--------------------|------------|----|---------|-----|
| TITLE TL3342F450QG | | | | |
| SCALE | DATE | DR | DWG | REV |
| 8:1 | 10/18/2012 | rc | P010607 | B |

THE INFORMATION CONTAINED IN THIS DOCUMENT IS PROPRIETARY TO E-SWITCH AND IS NOT TO BE COPIED OR TRANSFERRED