

# SPECIFICATIONS

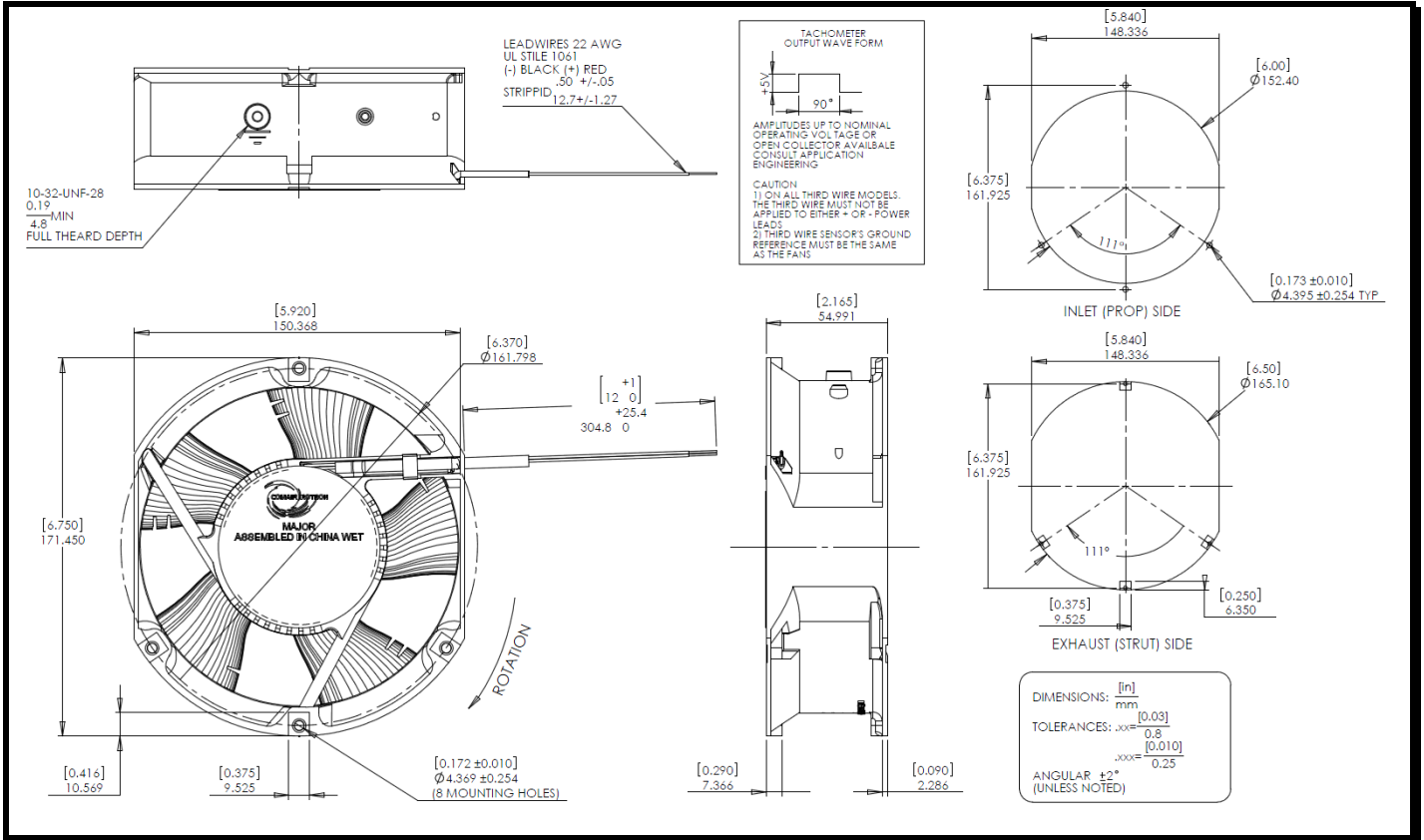


**Model Number:** MT12B3  
**Part Number:** 19031856A

**SPEC Number:** 26012815A

Jan, 30, 2012

## Mechanical Drawing:



### Motor:

Nominal Voltage	= 12 Vdc
Operating Voltage Range	= 6 - 14 Vdc
Nominal Running Current	= 3.00 Amps
Max. Locked Rotor Current	= 5.00 Amps
Running Power	= 36.0 Watts
Average Speed	= 3400 RPM
Bearings	= Ball
Air Flow	= 300 CFM
Acoustic	= 57.1 dBA

### Construction:

Venturi: Single piece diecast aluminum, black.  
 Propeller: Injection molded of flame retardant polycarbonate, UL94V-0 rated, black.

### Life Expectancy:

This fan is designed for continuous duty life of 76,000 hours at 40°C.

### Additional Features:

- Brushless DC Motor
- Electronic Locked Rotor Protection
- Reverse Polarity Protection
- Automatic Restart Capability
- Operating Temperature Range: -10°C to 70°C
- Storage Temperature Range: -40°C to 85°C

### Termination:

12.0" Lead wires, 22AWG, UL 1061 Style  
 Red = Fan Power  
 Black = Fan Return

### Agency Approvals:

UL, CUL