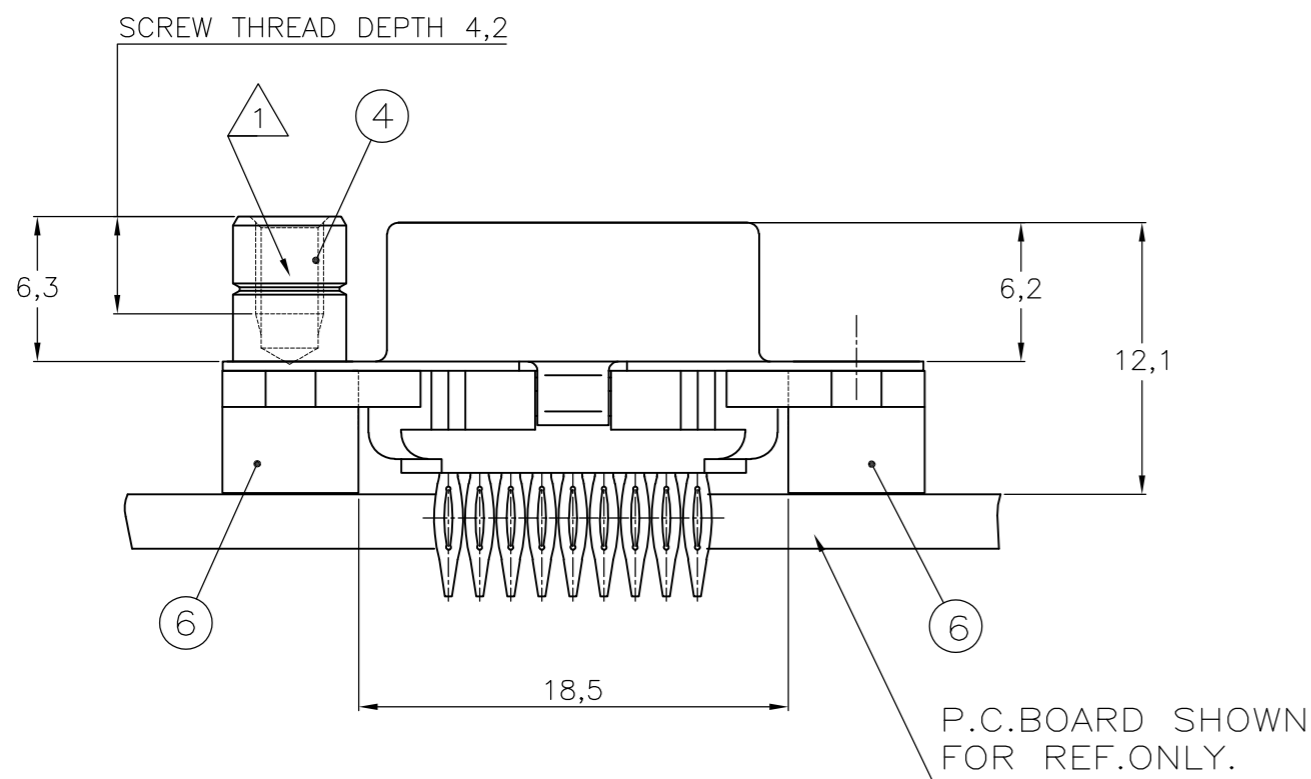
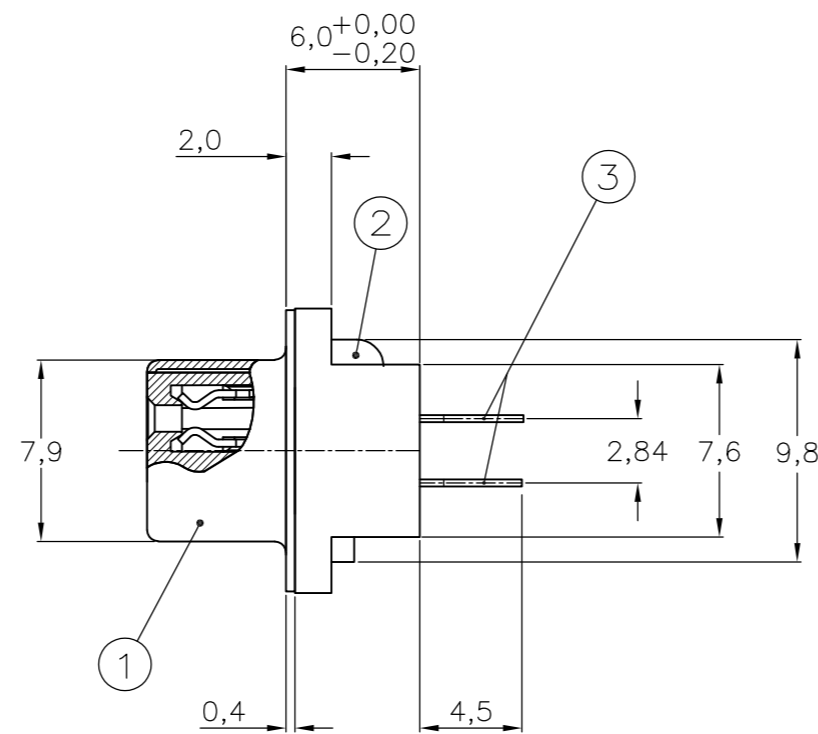
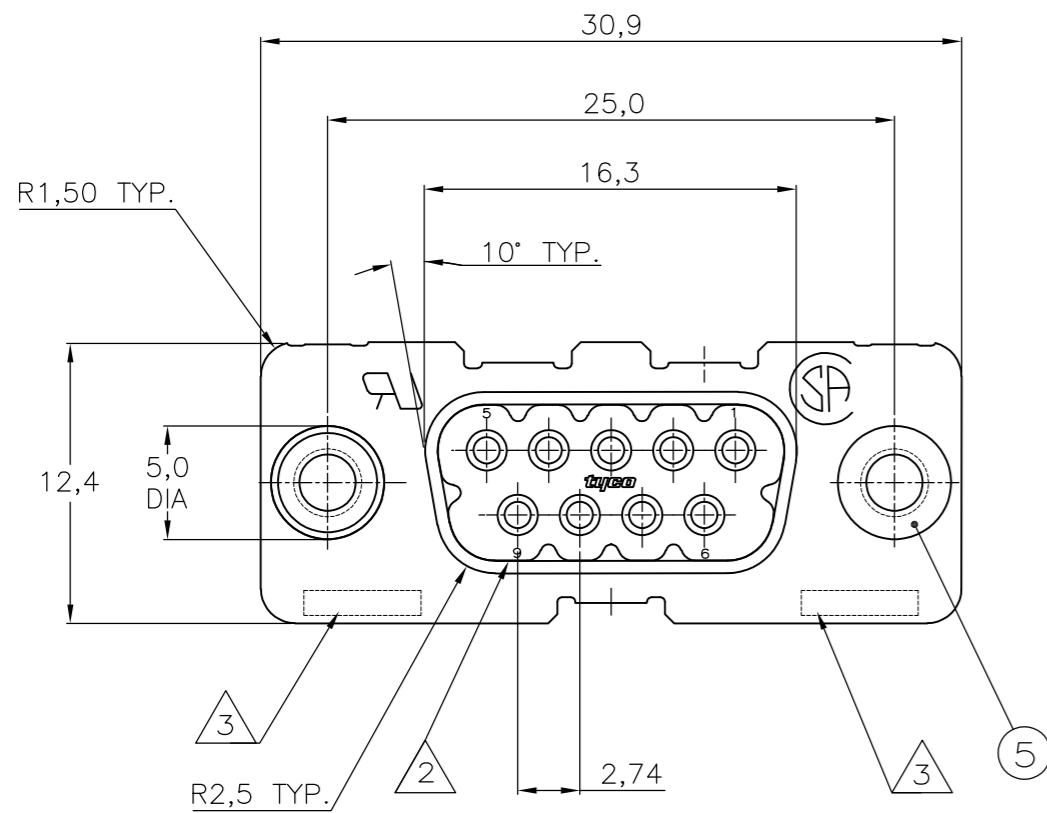


THIS DRAWING IS UNPUBLISHED. RELEASED FOR PUBLICATION  
 © COPYRIGHT BY TYCO ELECTRONICS CORPORATION. ALL RIGHTS RESERVED.

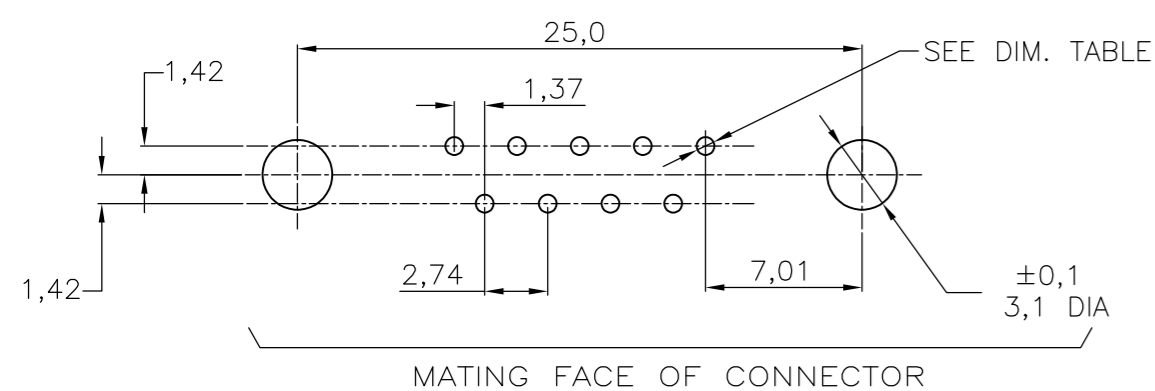
LOC	DIST	REVISIONS			
P	LTR	DESCRIPTION	DATE	DWN	APVD
H	-	ECR-06-011915	22-05-06	BSV	DC
J	-	ECR-06-016617	18-10-06	BSV	MK
J1	-	REVISED PER ECO-10-000445	03FEB10	KK	HMR



⚠️ OBSOLETE PARTS: OBSOLETE CIS STREAMLINING PER D.RENAUD/D.SINISI

P.C.B. HOLE DIM. FOR CONTACTS		
DRILLED HOLE :	1,15 ±0,025	mm
FIN. HOLE :	0,94 to 1,09	mm
AFTER REFLOW :	0,91 to 1,09	mm
Cu-thks :	0,025 to 0,075	mm
SnPb-thks :	0,004 to 0,010	mm

RECOMMENDED P.C. BOARD HOLE-LAYOUT



ACCESSORIES PREFIX "Z"	ITEM NO	DESCRIPTION OF ACCESSORY	QTY	UNIT	REMARKS
	5	BUSHING WITH THROUGH HOLE 3,1 DIA.	2		
	5	BUSHING WITH THREAD 4-40 UNC	2		
	5	BUSHING WITH THREAD M3	2		
	4	FEMALE SCREWLOCK WITH 4-40 UNC	2		
	4	FEMALE SCREWLOCK WITH M3	2		

HOW TO ORDER:  
 9 POS. -----> Z-338210-Y  
 PREFIX FOR ACCESSORIES }  
 BASIC PARTNR. }  
 SUFFIX FOR PLATING }  
 0-XXXXXX-Y  
 1-XXXXXX-Y  
 2-XXXXXX-Y  
 3-XXXXXX-Y  
 4-XXXXXX-Y  
 ⚠️ ⚠️ ⚠️ ⚠️ ⚠️

PLATING SUFFIX "Y"  
 GOLD OVER NICKEL AS PER PERFORMANCE LEVEL 2 (DIN 41652)  
 PRESS-FIT PART: TIN-PLATING 3µm } -Y = -2

NOTES :  
 ⚠️ GROOVE INDICATES VERSION WITH 4-40 UNC INNER THREAD; WITHOUT GROOVE INDICATES VERSION WITH M3 INNER THREAD.  
 ⚠️ CAVITY IDENTIFICATION AT FRONT SIDE ONLY.  
 ⚠️ PARTNUMBER AND DATE CODE.  
 4 CONNECTOR CAN BE USED FOR PCB THICKNESS OF 1,6 mm MINIMUM AND THICKER.  
 5 AIR AND CREEPAGE DISTANCES ACCORDING TO DIN 41652.

ITEM NRS./MATERIAL :

① SHELL	=	BRIGHT TINPLATED STEEL
② HOUSING	=	GLASSFILLED POLYESTER, COLOR : BLACK
③ CONTACTS	=	PHOSPHORBRONZE (PLATING : SEE TABLE ABOVE)
④ FEMALE SCREWLOCK	=	TINPLATED STEEL (INNER THREAD 4-40 UNC OR M3)
⑤ BUSHING	=	TINPLATED STEEL (INNER THREAD 4-40 UNC OR M3 OR 3,1 DIA. THROUGH HOLE)
⑥ STAND OFF	=	MAT: ULTRAMID V0 COLOR BLACK.

THIS DRAWING IS A CONTROLLED DOCUMENT.		DWN D. KESSLER 25FEB99	Tyco Electronics Corporation 's-HertogenBosch, Netherlands,	
DIMENSIONS: MM		CHK W. SOOMERS 24AUG00	Tyco Electronics	
TOLERANCES UNLESS OTHERWISE SPECIFIED:		APVD -	NAME	
0 PLC ± -		PRODUCT SPEC -	HDP-20 SIZE 1	
1 PLC ± -		APPLICATION SPEC -	VERTICAL+ RECEPTACLE HEADER; PRESS-FITVERSION	
2 PLC ± -		WEIGHT -	SIZE A2	CAGE CODE 00779
3 PLC ± -		CUSTOMER DRAWING	DRAWING NO C=338210	RESTRICTED TO -
4 PLC ± -		SCALE -	SHEET 1 OF 1	REV J1
ANGLES ± -				
FINISH -				