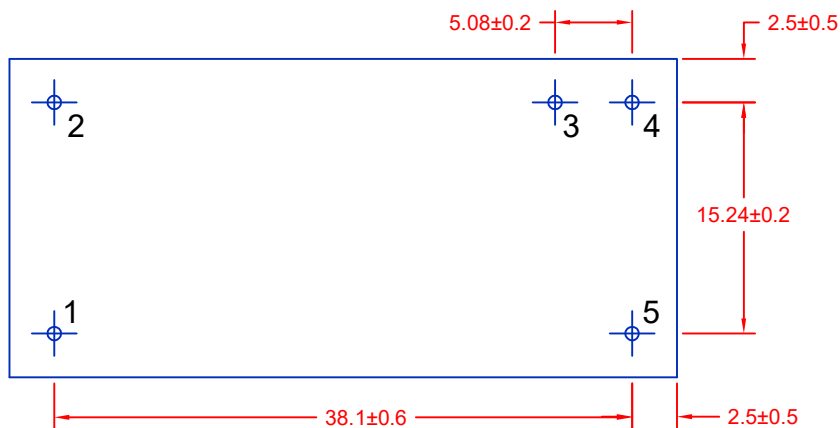
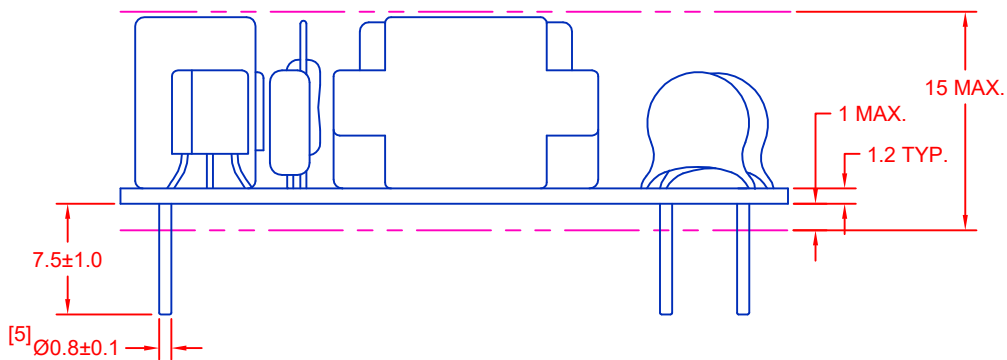
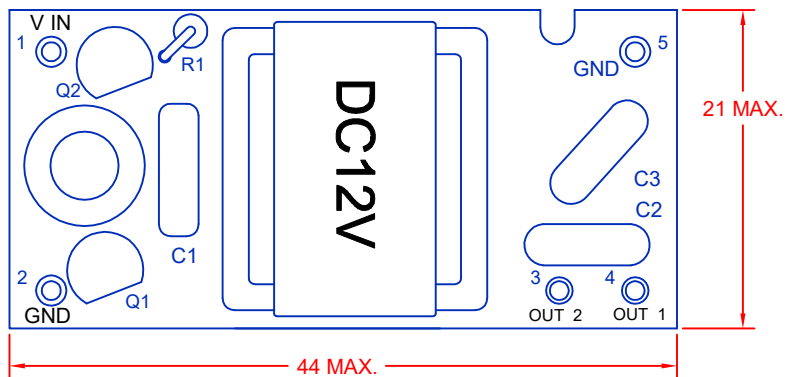
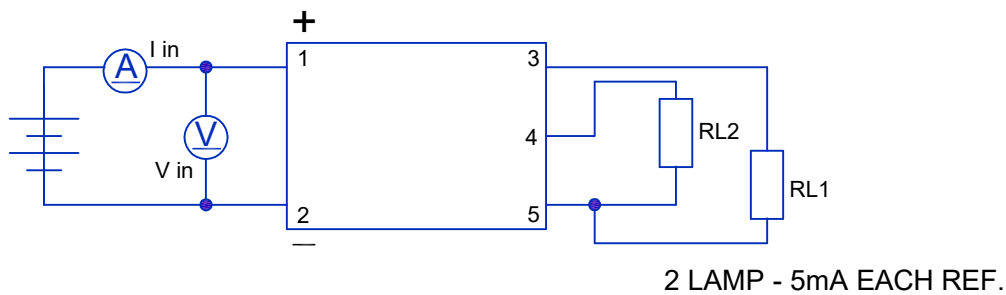
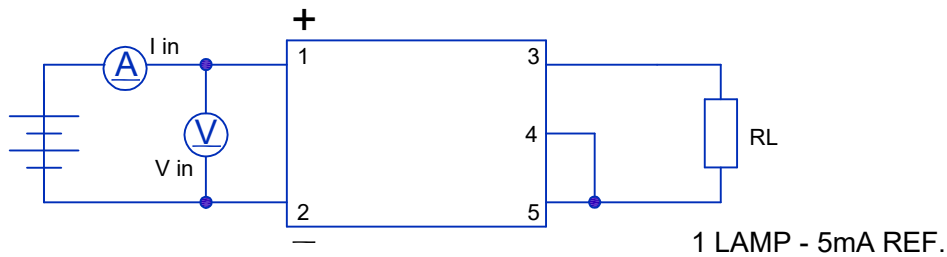
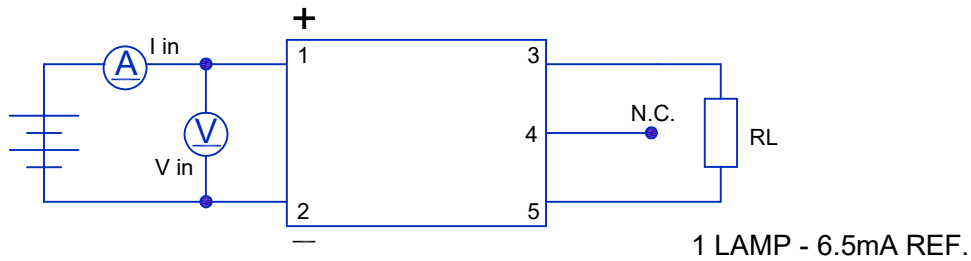
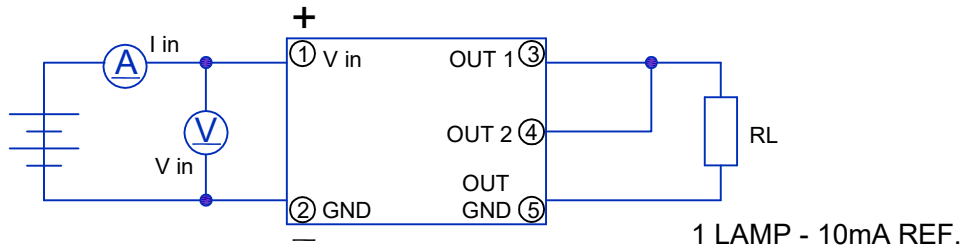


REV.	DESCRIPTION/ECO NO.	DATE
	RELEASED	3/10/03
A	DIM. CHANGE	3/27/03
B	RoHS COMPLIANCE	5/9/06
C	CHNG. COMPONENT LAYOUT	3/21/17
D	ADD BOARD DIMENSIONS	8/28/17



JKL PART NO.: BXA-12529  
\*RoHS COMPLIANCE

<p>METRIC THIRD ANGLE PROJECTION</p>	<p>DIMENSIONS ARE IN MILLIMETERS</p> <p>TOLERANCE UNLESS OTHERWISE SPECIFIED</p> <p>1 PL +/- 0.3 2 PL +/- ANGLE +/- 0</p>	<p><b>JKL</b> COMPONENTS CORPORATION</p>					
	<p>TITLE</p> <p><b>12 V DUAL CCFL POWER SUPPLY</b></p>	<p>SIZE</p> <p><b>A</b></p>	<p>FSCM NO.</p> <p><b>55335</b></p>	<p>DRAWING NO.</p> <p><b>BXA-12529</b></p>			
<p>DRAWN BY</p> <p>L. WENGSTROM</p>	<p>APPV'D BY</p> <p>L.R.</p>	<p>DATE</p> <p>8/28/17</p>	<p>SCALE</p> <p>NONE</p>	<p>RELEASED DATE</p> <p>3/10/03</p>	<p>REVISION DATE</p> <p>8/28/17</p>	<p>REV. NO.</p> <p><b>D</b></p>	<p>SHEET</p> <p>1 OF 2</p>
<p>- CAD DRAWING - MANUAL REVISIONS NOT PERMITTED</p>							



BOARD PIN #	INPUT
1	+V (V in)
2	V (GND)
3	OUT 1
4	OUT2
5	OUT (GND)

CHARACTERISTICS	MIN	TYP	MAX
INPUT VOLTAGE: (vdc)	10.8	12.0	13.2
INPUT CURRENT: (mA)	220	260	500
OUTPUT VOLTAGE: (Vrms)	950	1000	1050
OUTPUT CURRENT (mA) x 2	4.5	5.5	6.5
OUTPUT FREQUENCY: (kHz)	25	35	45
OPERATING TEMP: (CELSIUS)	0	25	50

<b>METRIC</b>  THIRD ANGLE PROJECTION	DIMENSIONS ARE IN MILLIMETERS TOLERANCE UNLESS OTHERWISE SPECIFIED 1 PL +/- 0.3 2 PL +/- 0	<b>JKL COMPONENTS CORPORATION</b>			
	TITLE <b>12 V DUAL CCFL POWER SUPPLY</b>				
DRAWN BY L. WENGSTROM	APP'VD BY L.R.	DATE 8/28/17	SIZE <b>A</b>	FSCM NO. <b>55335</b>	DRAWING NO. <b>BXA-12529</b>
- CAD DRAWING - MANUAL REVISIONS NOT PERMITTED			SCALE NONE	RELEASED DATE 3/10/03	REVISION DATE 8/28/17
				REV. NO. <b>D</b>	SHEET NO. 2 OF 2