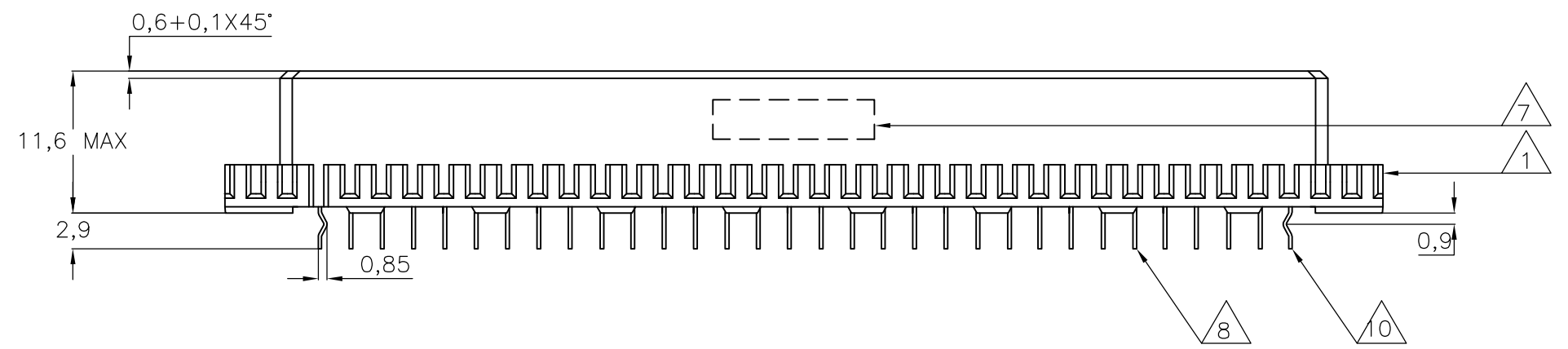
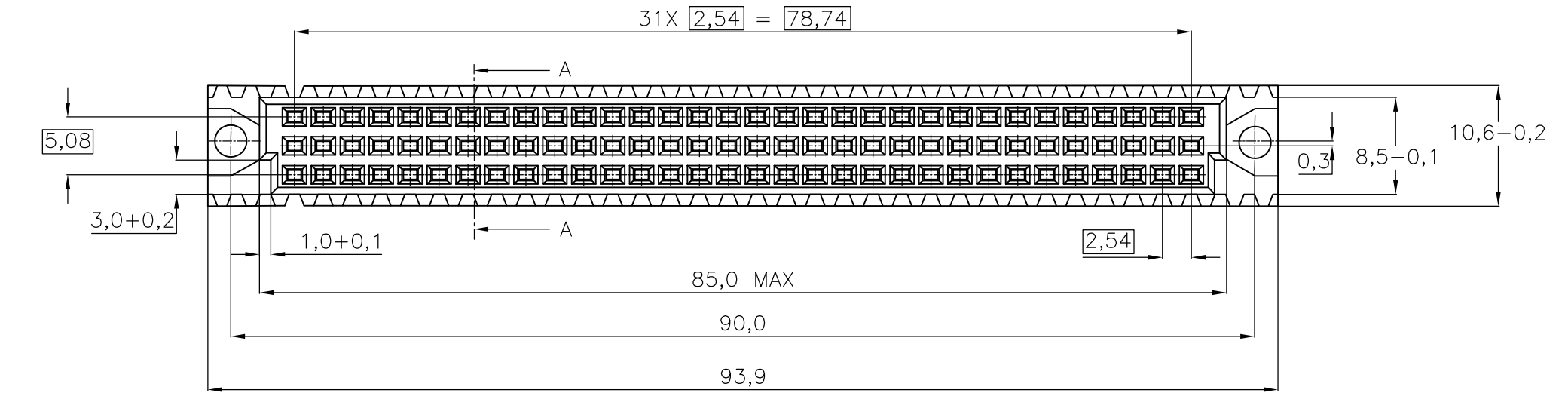
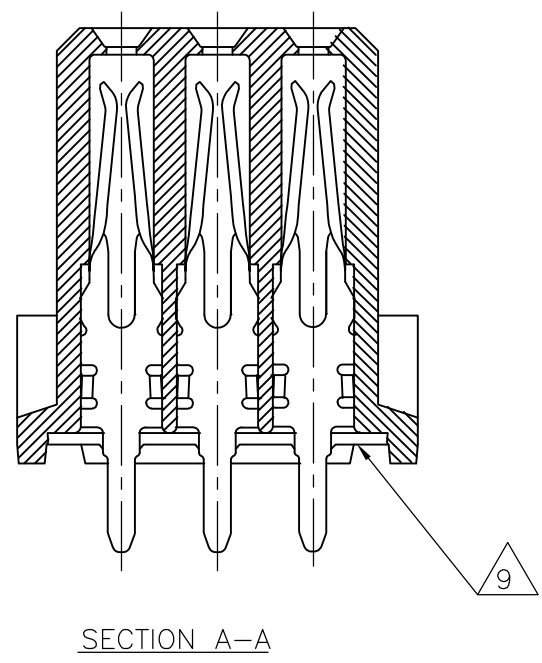
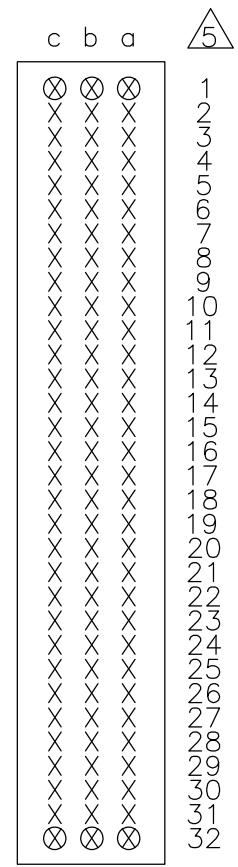


THIS DRAWING IS UNPUBLISHED. RELEASED FOR PUBLICATION
 © COPYRIGHT - By - ALL RIGHTS RESERVED.

LOC	DIST	REVISIONS			
P	LTR	DESCRIPTION	DATE	DWN	APVD
H	-	L1	EH-1209-00	23-11-00	RvH -
		M	ECR-07-011431	05-06-07	BSV MKO
		M1	ECR-11-008320	18NOV11	RK MKO



- NOTES:
- 1 CONNECTOR MEETS THE REQUIREMENTS ACC. DIN 41613,PART 5.
 - 2 MATERIAL CONTACT: PHOSPHORBRONZE. MATERIAL HOUSING: GLASSFILLED THERM. POLYESTER. COLOR:GREY
 - 3 AT CONTACTAREA 1,25 μm GOLD OVER 1,25 μm NICKEL AT SOLDER POST AREA 1,25 μm TIN.
 - 4 AT CONTACTAREA 0,8 μm GOLD OVER 1,25 μm NICKEL AT SOLDER POST AREA 1,25 μm TIN.
 - 5 CONTACT ARRANGEMENTS; AN AN ASTERISK " X " DENOTES A SIGNAL CONTACT. AN ASTERISK " ⊗ " DENOTES A KINKED SIGNAL CONTACT.
 - 6 AT CONTACTAREA 0,4 μm GOLD OVER 1,25 μm NICKEL AT SOLDER POST AREA 1,25 μm TIN.
 - 7 CONNECTOR PRINTED WITH PARTNUMBER AND DATECODE ON OUTSIDE OF MATING AREA AT SIDE OF ROW c.
 - 8 SOLDER POSTS SUITABLE FOR 1,0 NOM. P.C.B. HOLES.
 - 9 FLUX RESISTANCE STRIP.
 - 10 KINKED POSTS.
 - 11 AT CONTACTAREA 0,1μm GOLD OVER 0,7μm PALLADIUM (DURAGOLD) OVER 1,25μm NICKEL, AT SOLDERPOST AREA 1,25μm TIN.

WITH	WITHOUT	11	2	OBSOLETE	7-216081-4
WITH	WITH	11	2	OBSOLETE	6-216081-4
WITHOUT	WITHOUT	4	2	OBSOLETE	3-216081-4
WITH	WITHOUT	4	2	OBSOLETE	1-216081-4
WITH	WITH	6	2	OBSOLETE	216081-8
SUPERSEDED BY 2173044-4		WITH	WITH		216081-4
		WITH	WITH	OBSOLETE	216081-1
		10	9	FINISH	MATERIAL
					PARTNUMBER

THIS DRAWING IS A CONTROLLED DOCUMENT.		DWN	J.v.LIEMPT.	19JUN91	 TE Connectivity	96 POS C FEMALE B.T.B.CONN.		
DIMENSIONS: mm		CHK	J.v.GRUNSVEN.	19JUN91		ACC. DIN 41612 WITH SOLDER POSTS		
TOLERANCES UNLESS OTHERWISE SPECIFIED:		APVD	L.v.SOEST.	19JUN91		FOR 1,6mm. P.C.BOARD THK'S.		
0 PLC ± - 1 PLC ± - 2 PLC ± - 3 PLC ± - 4 PLC ± - ANGLES ± -		PRODUCT SPEC	NAME			SIZE	CAGE CODE	DRAWING NO
MATERIAL		APPLICATION SPEC	WEIGHT		A3	-	C-216081	-
		FINISH	CUSTOMER DRAWING		SCALE	NTS	SHEET	1 OF 1
								REV M1