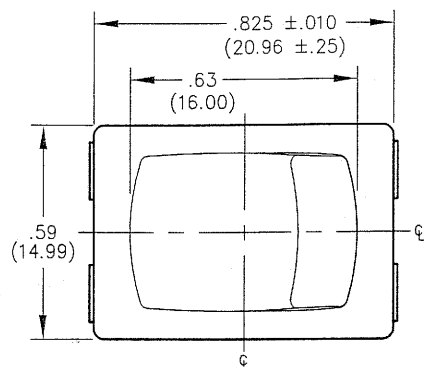


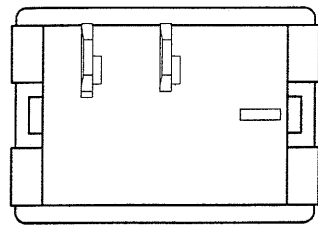
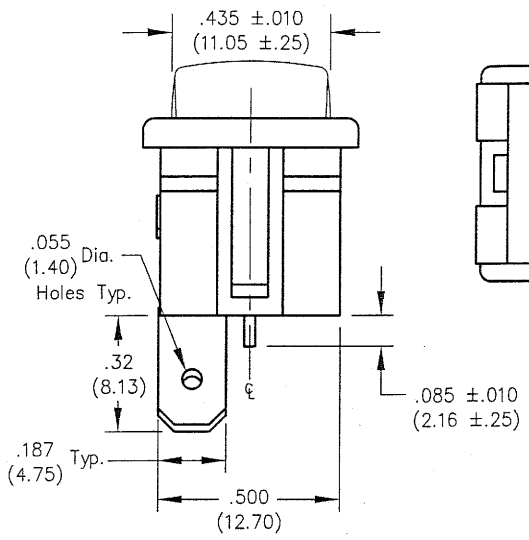
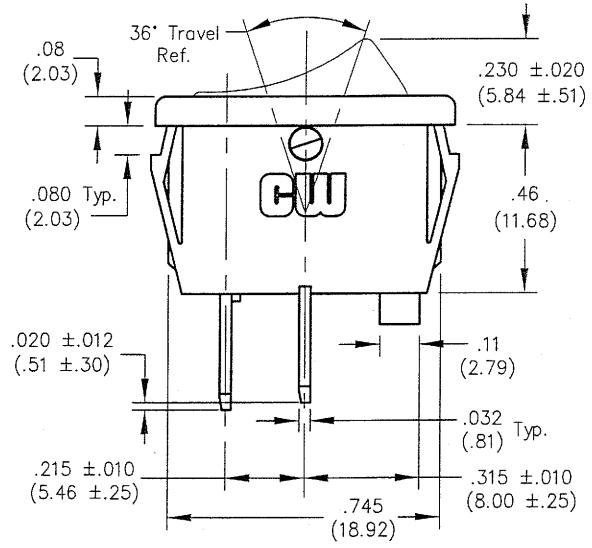
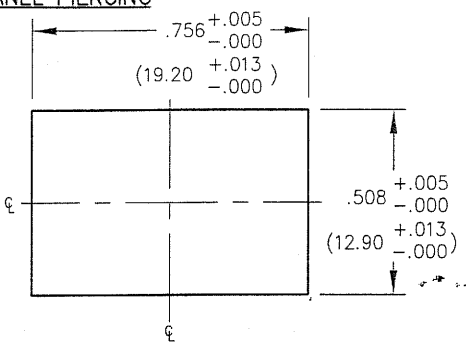
DIMENSIONS IN INCHES (MILLIMETERS)
DO NOT SCALE DRAWING

Dwg. No.
GRSV-4011B-0030

E
D
C
B
A



PANEL PIERCING



**BOTTOM VIEW
(Relocated)**

1 2 3 4 5 6 7 8 9 10

B-FORMAT 2002
REVISIONS
RELEASED: DGW 7-31-2006
AUG 02 2006

CW INDUSTRIES
Southampton, Pa. 18966

Title: **ROCKER SWIDGET
ASSEMBLY
(POP-IN)
SP/ST-MOMENTARY-ON**

TOLERANCES UNLESS OTHERWISE SPECIFIED
2 Place Decimal ±.010 METRIC
3 Place Decimal ±.005 1 Place Dec. ±.25mm
Angles ±1' 2 Place Dec. ±.13mm

PDF FILE MADE

Made for: CW IND.
Drawn by: DGW 7-31-2006
Checked by: G. Guld 8-2-06
Approval: f. f. f. 8-2-06

Division: **SWITCH**
Dwg. No.
GRSV-4011B-0030