



**Schroff®**  
**MAIN CATALOG**

Overview ..... 0

Cabinets ..... 1

Wall mounted cases ..... 2

Accessories for cabinets and wall mounted cases 3

Climate control 4

**Desk-top cases 5**

Subracks/ 19" chassis ... 6

Front panels, plug-in units .. 7

Systems ..... 8

Power supply units ..... 9

Backplanes .. 10

Connectors, front panel component system ..... 11

Appendix .... 12

Desk-top cases

***ratiopac PRO***

The universal case with 19" compatible dimensions e.g. for CompactPCI and VME64x applications

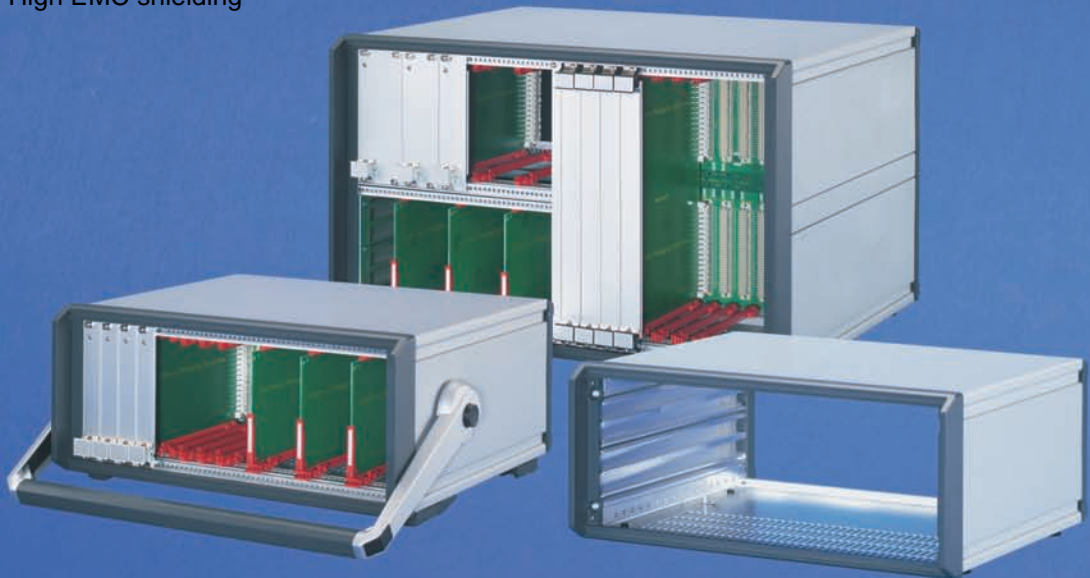
- Aluminium case
- Height 2 ... 7 U
- High EMC shielding



***propac PRO***

The robust case for 19" compatible or custom electronics assemblies

- Aluminium case with aluminium frame front
- Height 2 ... 6 U
- High EMC shielding



361009005 (12304003 10005004 05802001 06803006 05809001)

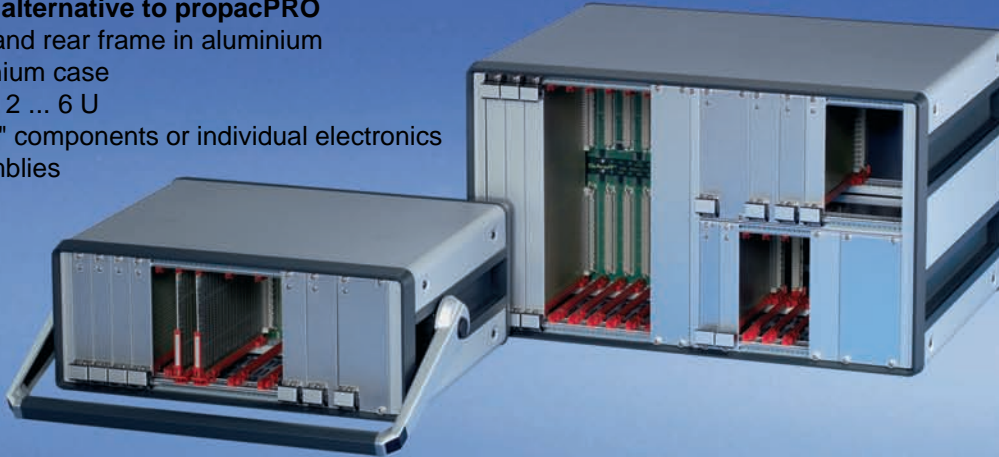
## Desk-top cases

### **compacPRO**

Desk-top or portable case

Design alternative to propacPRO

- Front and rear frame in aluminium
- Aluminium case
- Height 2 ... 6 U
- For 19" components or individual electronics assemblies



### **comptec**

Case to house

19" subracks or 19" chassis

- Case with aluminium frame to front and rear
- High stability
- Height 3 ... 12 U
- Identical front and rear
- Internal mounting up to 40 kg
- Protection class IP 20

### **Accessories**



Overview .... 5.0

Introduction .. 5.2

ServicePLUS .. 5.4

ratiopacPRO .. 5.6

propacPRO ... 5.44

compacPRO .. 5.76

comptec ..... 5.100

#### Accessories

Handles ..... 5.108

Strap handles ... 5.111

Tip-up carrying handles ..... 5.112

Folding handles 5.113

Tray handles ... 5.114

Feet ..... 5.115

ServicePLUS .. 5.4

## Desk-top cases - Introduction

### Case types: Desk-top enclosure/19" case



Desk-top enclosure, ratiopacPRO

01810002



19" case, comptec

02202004

### Desk-top enclosures

Our desk-top cases are used to house PCBs (euroboards) or individual components

The choice is yours:

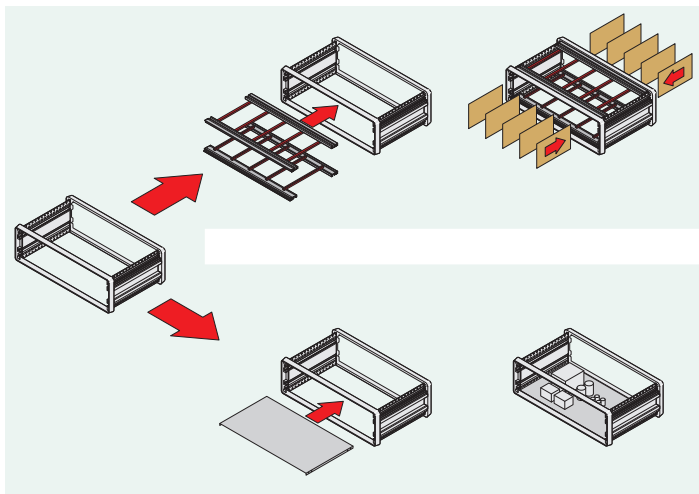
- ratiopacPRO, the universal case with 19" compatible dimensions and high EMC shielding, e.g. for CompactPCI and VME64x applications
- propacPRO, the robust case with high EMC shielding for 19"-compatible or custom electronics assemblies
- compacPRO, Desk-top or portable case for unshielded applications

### 19" cases

Our comptec cases are comparable with small cabinets and are used to house 19" components such as subracks, 19" fan trays or 19" front panels

All desk-top enclosures have a very low weight owing to the materials used and are also suitable for mobile use

### Applications for desk-top enclosures



Example above: for euroboards, below: for individual installation

### The most important user domains for desk-top enclosures are:

- Fitting with euroboards in accordance with IEC 60297



- Fitting with individual electrical or mechanical components, e.g. on mounting plates



### One product platform and extensive accessories



05806008



05806006



02005003



02005006

- Practical technology without time-consuming assembly. The modular product platform of these cases allows a wide range of possible uses with only a small number of components.

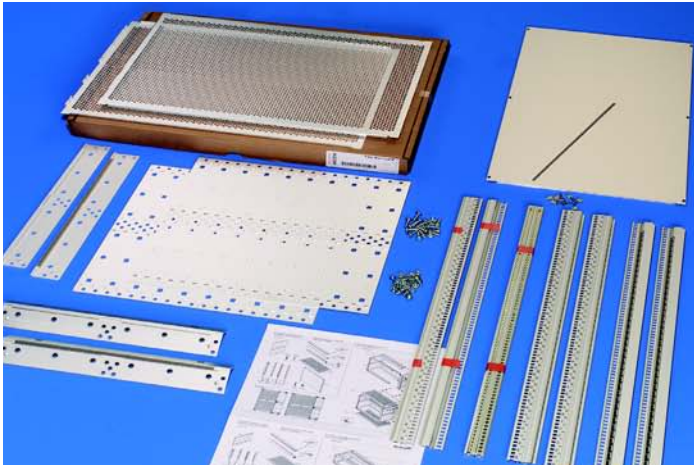
The intelligent design of all components results in an astonishingly quick and easy assembly of the components.

With our PRO product platform we offer you full compatibility of all individual components and accessories, also with our europacPRO subracks.

Standard desk-top enclosures can also be adapted easily and with little effort for mobile applications.

# Desk-top cases - Introduction

## Forms of delivery for desk-top enclosures



Flat pack delivery to save space

06104001

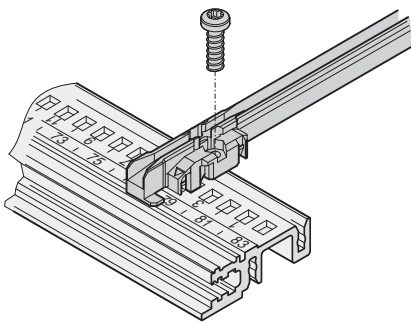
Supplied in space-saving packs. Simply unpack parts and screw together - done.

Depending on the kit chosen the threaded insert, the perforated rail or the EMC gasket is pre-assembled on the horizontal rail.

We offer you three forms of delivery:

- Pre-assembled kit for use with 160 mm deep euroboards, frame fitted, cladding parts and guide rails supplied loose.
- Pre-assembled kit for individual configuration, frame assembled, cladding parts supplied loose.
- Ready assembled cases to your specifications. With our ServicePLUS option you can order ready-assembled cases, with drilled holes and cut-outs and individual front panels - if necessary even by express service.

## Guide rail



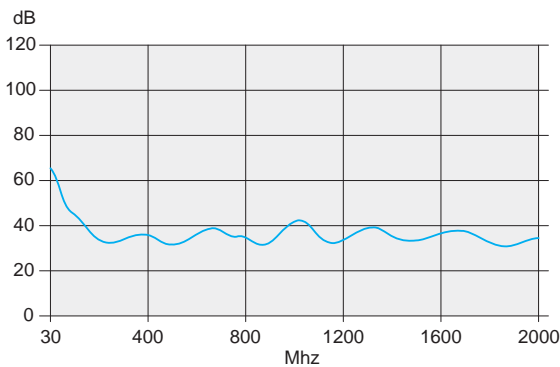
06108084

- Guide rails form the interface between the mechanics of the case and the electronics assembled (PCBs, plug-in units, frame type plug-in units, drive unit modules, etc.).

Robust snap-in fixings on the plastic rails assure that the components are held securely, even when exposed to vibrations.

Guide rails can also be screwed on.

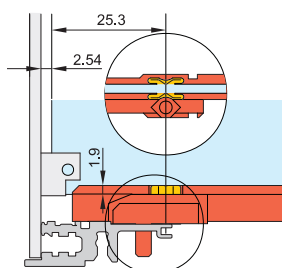
## EMC and ESD



06108081

- Our case product platforms offer standard solutions for achieving electromagnetic compatibility (EMC) and to avoid electrostatic interference (ESD)
- Shielding on the front and rear of the case is effected by front panels with EMC gaskets
- To prevent electrostatic discharge when inserting PCBs, ESD contacts are clipped into the guide rails. These provide a conductive connection between board and case earth/ground
- Test reports are available on our website [www.schroff.biz](http://www.schroff.biz) for download

## Shielding



04503050

Position of the ESD clip

## Desk-top cases – ServicePLUS



### configuration

Simple. Fast. For the product you want.

Components can be varied and combined freely

- Online configuration: [www.schroff.co.uk/configuration](http://www.schroff.co.uk/configuration)



### assembly

Assembled by professionals. Double benefit!

Fitting of all mechanical, electrical and electronic components by our specialists

- Professional and reliable, without extra costs
- Ready for despatch within 10 working days



### modification

Small changes. Large impact.

Custom drillings, cut-outs and special colours for off-the-shelf products

- CAD data are available for you to download and further modify from our website [www.schroff.biz](http://www.schroff.biz)
- Ready for despatch within 10 working days



### solution

Simple. Fast. From one source.

Integration and custom developments

- Flowtherm simulation to calculate heat paths; verification in our own climate lab
- Special sizes, custom solutions



### express

When fast has to be faster.

Delivery time to customer's request

- ServicePLUS assembly ready for despatch within 10 working days
- ServicePLUS modification and ServicePLUS solution ready for despatch within 15 working days



### academy

Knowledge. Sharing. Partnerships.

Knowledge transfer and partnership

- Seminars held centrally or at your site.
- CAD drawings, test reports, user manuals

## Desk-top cases - ServicePLUS

### Application examples



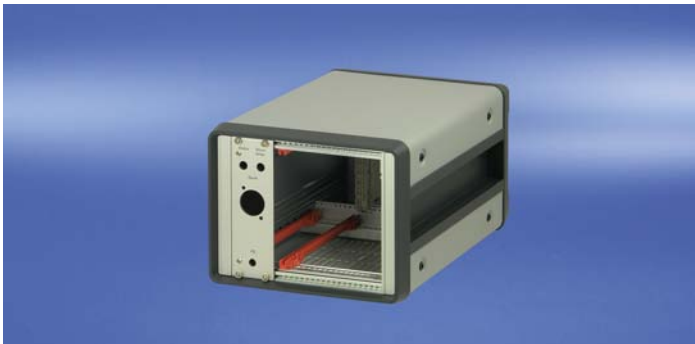
01809001

Application: ratiopacPRO-air case in special colour, shielded board cage, filter mat top and bottom



01809003

Application: ratiopacPRO-air case with processed front and rear panels



02009001

Application: compacPRO case, modified



02009003

Application: compacPRO case with fitted horizontal rail with lip and hinged front panel



02009002

Application: compacPRO case with fitted horizontal rail with lip and folding front panel



02009004

Application: compacPRO with tip-up carrying handle and front panel (without visible screws)



02109001

Application: inpac case with hinged and modified front and rear panels



05809005

Application: propacPRO, EMC case in special colour with mounting plates for individual construction

Overview ..... 0

Cabinets ..... 1

Wall mounted cases ..... 2

Accessories for cabinets and wall mounted cases 3

Climate control 4

**Desk-top cases 5**

Subracks/ 19" chassis ... 6

Front panels, plug-in units .. 7

Systems ..... 8

Power supply units ..... 9

Backplanes .. 10

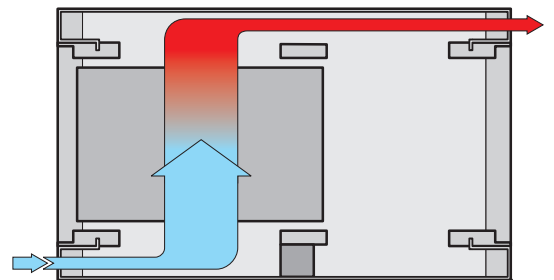
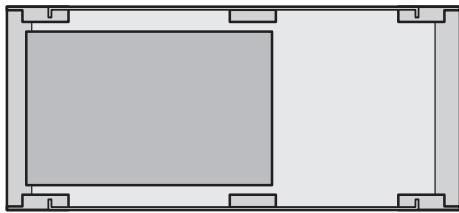
Connectors, front panel component system ..... 11

Appendix .... 12

## Desk-top cases - *ratiopacPRO*



06800002



06801005

### ratiopacPRO

Designed for insertion/extractor handles in accordance with IEC 60297-3-102 and IEEE 1101.10 for CompactPCI and VME64x applications

### ratiopacPRO air

Designed for insertion/extractor handles in accordance with IEC 60297-3-102 and IEEE 1101.10 for CompactPCI and VME64x applications; 1 U extra for ventilation (1/2 U top, 1/2 U bottom)

### Standards

- Inner and outer dimensions in accordance with:  
IEC 60297-3-101 / IEEE 1101.1  
IEC 60297-3-102 / IEEE 1101.10/11
- Type of protection IP20 in accordance with IEC 60529
- Earthing connections in accordance with:  
DIN EN 50178 / VDE 0160  
DIN EN 60950 / VDE 0805  
DIN EN 61010-1 / VDE 0411 part 1  
DIN EN 61010-1A2 / VDE 0411 part 1/A1
- EMC testing in accordance with VG 95373 part 15



06812001

Case with mounting plate



06800015

Prepared for CompactPCI and VME64x applications



Downloads and further important information can be found on the Internet under [www.schroff.biz](http://www.schroff.biz)



The universal case with 19" compatible dimensions  
e.g. for CompactPCI, VME64x and other applications

- Base level of shielding in basic versions upwards, additional EMC shielding can be retrofitted
- Symmetrical construction, identical front and rear (identical board cage for ratiopacPRO and ratiopacPRO air)
- Converts simply from desktop to 19" rack-mounted case and back
- No visible screws; cladding parts removable without tools

**ratiopacPRO**  
 Complete cases . 5.8  
 Dimensions ..... 5.9  
 Cases ..... 5.10  
 Tower cases .... 5.12

**ratiopacPRO air**  
 Cases ..... 5.14  
 Complete cases . 5.13  
 Dimensions ..... 5.16  
 Radial fan units . 5.17  
 EMC gasketing .. 5.18

**Accessories**  
 Front panels .... 5.21  
 Rear panels ..... 5.22  
 Feet ..... 5.23  
 Air filters ..... 5.23  
 GND/earthing kit . 5.24  
 Front handles ... 5.24  
 19" brackets .... 5.25  
 Cable holder. ... 5.26  
 Compartment  
 seals..... 5.26  
 Strap handles ... 5.26  
 Tip-up carrying  
 handles ..... 5.27  
 Assembly kit. ... 5.28  
 Fitting position  
 of horizontal rails  
 ..... 5.29  
 Horizontal rails.. 5.31  
 Threaded  
 inserts,  
 perforated strips,  
 insulation strips . 5.35  
 Z-rails,  
 perforated rails. . 5.35  
 Divider plates ... 5.36  
 Mounting plates . 5.37  
 Horizontal board  
 assembly ..... 5.38  
 Combined  
 mounting ..... 5.39  
 Guide rails and  
 ESD clips ..... 5.40

ServicePLUS.. 5.4



06800005

### ratiopacPRO

- Case with cover strip, front handles or 19" brackets (height 2 U ... 6 U)
- Complete case with cover strip and pre-mounted components, with basic shielding (height 3 U, 6 U), additional EMC shielding retrofittable
- Tower case (width 4 U)



06800005

### ratiopacPRO air

- ratiopacPRO air with additional 1 U height for ventilation
- Case with cover strips, front handles or 19" brackets (height 4 U, 5 U, 7 U)
- Complete case with cover strips and pre-mounted components, with basic shielding (height 4 U, 7 U), additional EMC shielding retrofittable

### ServicePLUS from page 5.4

- e.g. modifications (special colours or sizes)
- e.g. custom solutions (cut-outs in top cover, base plate or side panels)
- e.g. assembly service from 1 piece

[www.schroff.biz/ServicePLUS](http://www.schroff.biz/ServicePLUS)



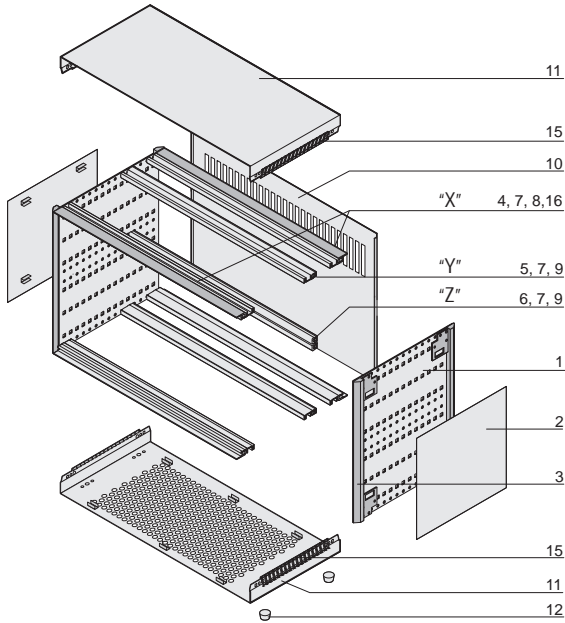
30407004

# Desk-top cases - *ratiopac PRO*

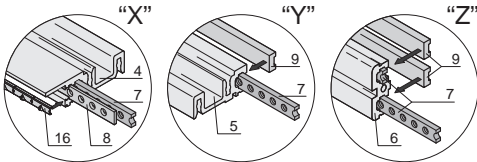
## ratiopacPRO complete cases



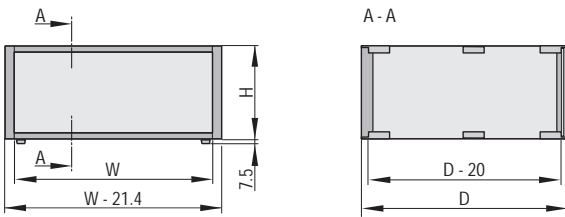
06812003



01802050

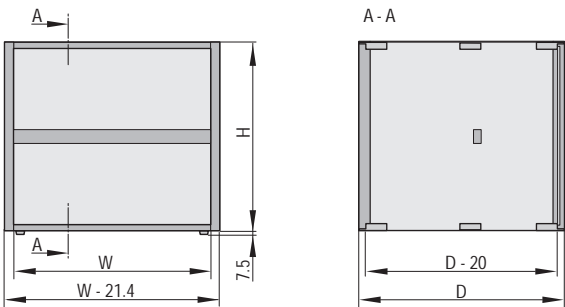


01808055



01808051

3 U



01808052

6 U

- Desk-top enclosure with pre-configured components, in accordance to IEC 60297-3-101; prepared for 19" components, e.g. plug-in units and euroboards
- Ventilation slit in base plate
- Rear panel perforated

### Delivery comprises (in kit form)

| Item | Qty         |          | Description   |
|------|-------------|----------|---|
|      | without EMC | with EMC |   |
| 1    | 2           | 2        | Side panel, Al, 2 mm, passivated  |
| 2    | 2           | 2        | Side plate, Al, 1 mm, visible surfaces RAL 9006   |
| 3    | 4           | 4        | Cover strip, Al die-cast, RAL 7016, pre-fitted only on EMC version  |
| 4    | 4           | 4        | Horizontal rail, type H-LD, Al, visible surfaces RAL 7016   |
| 5    | 2           | 2        | Horizontal rail, centre (top/bottom), type H-ST, Al   |
| 6    | 1           | 1        | Horizontal rail, centre (on 6 U only), type ST, Al  |
| 7    | 6/8         | 6/8      | 3 U/6 U: threaded inserts, St, pre-mounted, for indirect backplane mounting with insulation strips  |
| 8    | -           | 4        | Perforated strip, Al, 1 mm, pre-fitted  |
| 9    | 4           | 4        | Insulation strip, PBT, UL 94 V-0  |
| 10   | 1           | 1        | Rear panel, perforated, Al, 2.5 mm  |
| 11   | 2           | 2        | Top cover and base plate, Al, 1 mm, internal surfaces conductive, visible surfaces RAL 9006, with GND/earthing connection, base plate with honeycomb grid ventilation |
| 12   | 4           | 4        | Case foot with anti-slip protection, UL 94 V-0, PC black  |
| 14   | -           | 1        | EMC support profile for side panel, pre-mounted (kit)   |
| 15   | -           | 4        | EMC contact strip for cover plate, pre-mounted (kit)  |
| 16   | -           | 4        | EMC contact strip front panel - horizontal rails  |
| 17   | 1           | 1        | GND/earthing kit, assembly kit  |

### Order Information

| U | Height H | Width W | Depth D | Unshielded | EMC shielded |
|---|----------|---------|---------|------------|--------------|
|   |          |         |         | Part no.   | Part no.     |
| 3 | 28       | 28      | 255.5   | 24572-001  | 24572-050    |
| 3 | 42       | 42      | 255.5   | 24572-002  | 24572-051    |
| 3 | 42       | 42      | 315.5   | 24572-003  | 24572-052    |
| 3 | 63       | 63      | 315.5   | 24572-004  | 24572-053    |
| 3 | 84       | 84      | 315.5   | 24572-005  | 24572-054    |
| 3 | 84       | 84      | 375.5   | 24572-006  | 24572-055    |
| 3 | 84       | 84      | 435.5   | 24572-007  | 24572-056    |
| 6 | 42       | 42      | 315.5   | 24572-015  | 24572-064    |
| 6 | 63       | 63      | 315.5   | 24572-016  | 24572-065    |
| 6 | 84       | 84      | 315.5   | 24572-017  | 24572-066    |
| 6 | 84       | 84      | 375.5   | 24572-018  | 24572-067    |
| 6 | 84       | 84      | 435.5   | 24572-019  | 24572-068    |

### Note

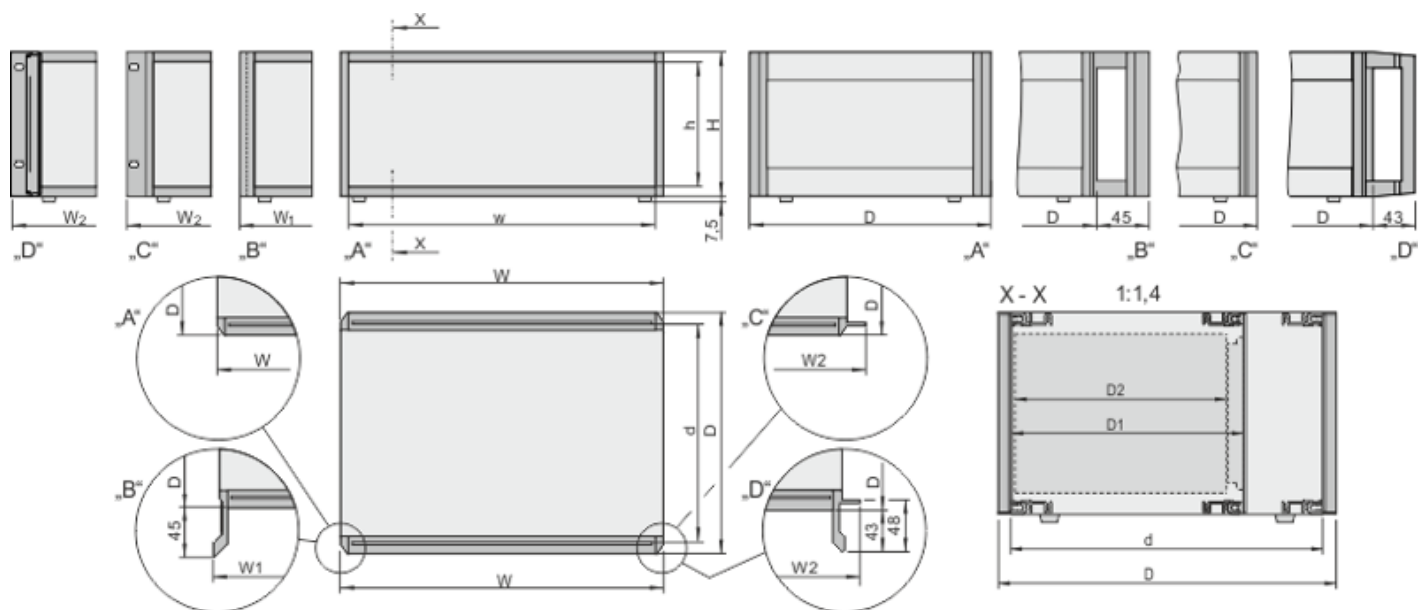
- Dimension drawings and mounting depths see page 5.9
- Components see page 5.18
- Front handles and 19" mounting brackets from page 5.24
- Guide rails from page 5.40



ServicePLUS see page 5.4

# Desk-top cases - *ratiopac PRO*

## Dimension drawings ratiopacPRO



RatiopacPRO with A - bezel; B - front handle; C - 19" mounting bracket; D - 19" mounting bracket with front handle

rppr6637

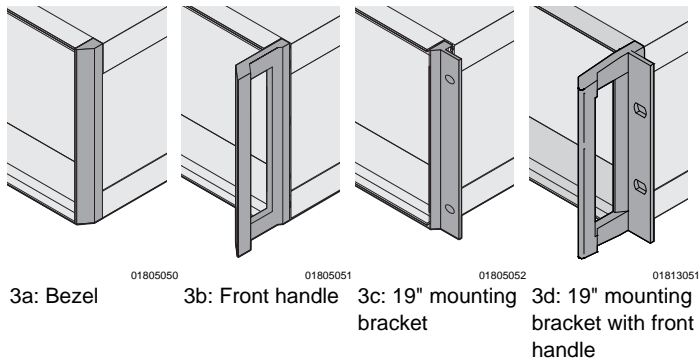
### Dimensions table ratiopacPRO

| Height |            | Width      |            |            |             |             |            | Depth                     |                             |                              |                            |
|--------|------------|------------|------------|------------|-------------|-------------|------------|---------------------------|-----------------------------|------------------------------|----------------------------|
| in U   | H<br>in mm | h<br>in mm | w<br>in HP | W<br>in mm | w1<br>in mm | w2<br>in mm | w<br>in mm | D<br>Total depth<br>in mm | d<br>Useable depth<br>in mm | D1<br>Plug-in depth<br>in mm | d2<br>Board depth<br>in mm |
| 2      | 88.10      | 67.90      | 28         | 164.42     | 177.62      | 198.12      | 142.82     | 255.5                     | 235.5                       | 175.5                        | 160                        |
|        |            |            | 42         | 235.54     | 248.74      | 269.24      | 213.94     |                           |                             | 235.5                        | 220                        |
|        |            |            | 63         | 342.42     | 355.42      | 375.92      | 320.62     |                           |                             | 175.5                        | 160                        |
|        |            |            | 84         | 448.90     | 462.10      | 482.60      | 427.30     |                           |                             | 235.5                        | 220                        |
| 3      | 132.55     | 112.35     | 28         | 164.42     | 177.62      | 198.12      | 142.82     | 315.5                     | 295.5                       | 295.5                        | 280                        |
|        |            |            | 42         | 235.54     | 248.74      | 269.24      | 213.94     |                           |                             | 175.5                        | 160                        |
|        |            |            | 63         | 342.42     | 355.42      | 375.92      | 320.62     |                           |                             | 235.5                        | 220                        |
|        |            |            | 84         | 448.90     | 462.10      | 482.60      | 427.30     |                           |                             | 295.5                        | 280                        |
| 4      | 177.00     | 156.80     | 28         | 164.42     | 177.62      | 198.12      | 142.82     | 375.5                     | 355.5                       | 355.5                        | 340                        |
|        |            |            | 42         | 235.54     | 248.74      | 269.24      | 213.94     |                           |                             | 175.5                        | 160                        |
|        |            |            | 63         | 342.42     | 355.42      | 375.92      | 320.62     |                           |                             | 235.5                        | 220                        |
|        |            |            | 84         | 448.90     | 462.10      | 482.60      | 427.30     |                           |                             | 295.5                        | 280                        |
| 5      | 221.45     | 201.25     | 28         | 164.42     | 177.62      | 198.12      | 142.82     | 435.5                     | 415.5                       | 355.5                        | 340                        |
|        |            |            | 42         | 235.54     | 248.74      | 269.24      | 213.94     |                           |                             | 175.5                        | 160                        |
|        |            |            | 63         | 342.42     | 355.42      | 375.92      | 320.62     |                           |                             | 235.5                        | 220                        |
|        |            |            | 84         | 448.90     | 462.10      | 482.60      | 427.30     |                           |                             | 295.5                        | 280                        |
| 6      | 265.90     | 245.70     | 28         | 164.42     | 177.62      | 198.12      | 142.82     | 495.5                     | 475.5                       | 355.5                        | 340                        |
|        |            |            | 42         | 235.54     | 248.74      | 269.24      | 213.94     |                           |                             | 175.5                        | 160                        |
|        |            |            | 63         | 342.42     | 355.42      | 375.92      | 320.62     |                           |                             | 235.5                        | 220                        |
|        |            |            | 84         | 448.90     | 462.10      | 482.60      | 427.30     |                           |                             | 295.5                        | 280                        |

Components mountable in 15 mm depth grid

# Desk-top cases - *ratiopac* PRO

## RatiopacPRO case



- Cases for individual assembly with 19" standard components or specific internal mounting, e.g. with mounting plate
- Unshielded (EMC shielding retrofittable)
- Symmetrical design, identical front and rear side
- Four versions:
  - Bezels
  - Front handles
  - 19" mounting brackets
  - 19" mounting brackets with front handles
- For board depth 160 mm, 220 mm, 280 mm, and 340 mm (depending on case depth)

### Delivery comprises (kit)

| Item | Qty | Description   |
|------|-----|---|
| 1    | 2   | Side panel, Al, 2 mm, chromated   |
| 2    | 2   | Side plate, Al, 1 mm, visible surfaces powder-coated, RAL 9006  |
| 3    | 2   | Rear trim, Al die-cast, powder-coated, RAL 7016   |
| 3a   | 2   | Bezel, Al die-cast, powder-coated, RAL 7016   |
| 3b   | 2   | Front handle, Al die-cast, powder-coated, RAL 7016  |
| 3c   | 2   | 19" mounting bracket, Al diecast, powder-coated, RAL 7016   |
| 3d   | 2   | 19" mounting bracket with front handle, Al diecast, powder-coated, RAL 7016   |
| 4    | 4   | Horizontal rail, type H-LD, Al, visible surfaces powder-coated, RAL 7016  |
| 11   | 2   | Top cover and base plate, Al, 1 mm, inner sides conductive, visible surfaces powder-coated, RAL 9006, with GND/earthing connections, base plate with honeycomb grid ventilation |
| 12   | 4   | Case foot with anti-slip protection, UL 94 V-0, PC black  |
| 13   | 1   | Fixing materials kit  |

3a, 3b, 3c or 3d according to selection

### Note

- Order information, see following page

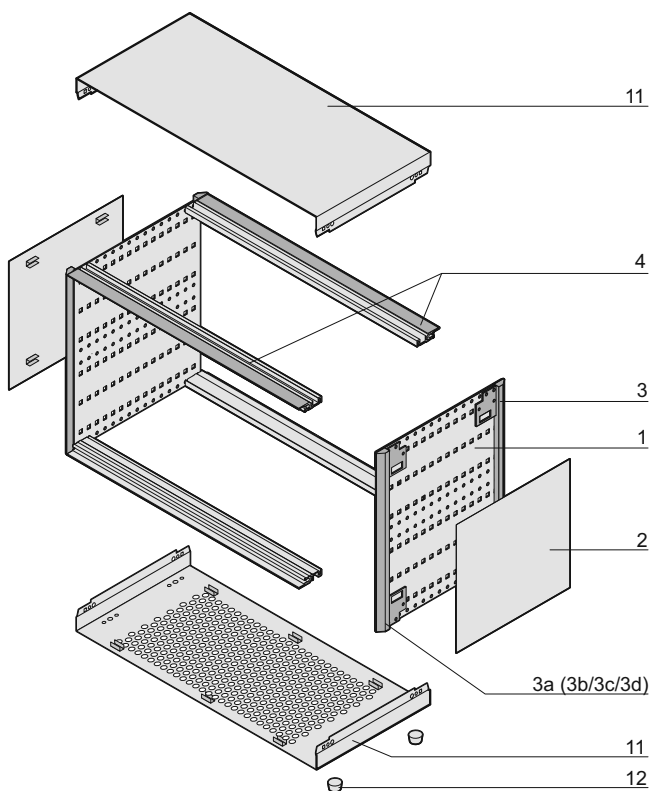
### Order Information

#### Accessories

|  |           |
|--|-----------|
| <b>Earthing kit</b> CU wire, 1.5 mm <sup>2</sup> , PVC sleeve, green/yellow, 1 kit | 24571-380 |
| <b>Al diecast foot with tip-up</b> silver, 1 piece (SPQ 10)                        | 10603-002 |
| <b>Plastic tip-up foot</b> silver, similar to RAL 9006, PU 4 pieces                | 20603-001 |
| <b>Plastic tip-up foot</b> anthracite, similar to RAL 7016, 4 pieces               | 20603-002 |
| <b>Stacking aid</b> silver, similar to RAL 9006, PA, UL 94 V-0, PU 4 pieces        | 20603-004 |
| <b>Stacking aid</b> anthracite, similar to RAL 7016, PA, UL 94 V-0, PU 4 pieces    | 20603-003 |



For further information [www.schroff.biz/oneclick](http://www.schroff.biz/oneclick)  
oneClick search code = Part no.



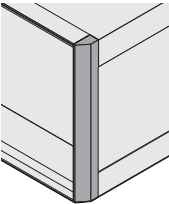
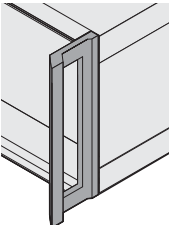
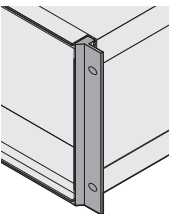
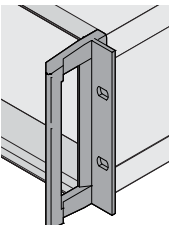
Drawing with front cover strip



ServicePLUS see page 5.4

# Desk-top cases - *ratiopac* PRO

## RatiopacPRO case

|   | Width<br>W<br>HP | Depth<br>D<br>mm | Case height H |           |   |               |           |           |   |   |   |  |
|---|------------------|------------------|---------------|-----------|---|---------------|-----------|-----------|---|---|---|--|
|   |                  |                  | 2 U           |           | Side panel subdivision  |               |           |           |   |   |   |  |
|   |                  |                  | Part no.      | Part no.  | Part no.  | Part no.      |           | Part no.  |   |   |   |  |
|   |                  |                  |               |           |   | (1 U-3 U-1 U) | (3 U-2 U) |           |   |   |   |  |
|   |                  |                  |               |           | <table border="1" style="margin: auto;"> <tr><td style="text-align: center;">1</td></tr> <tr><td style="text-align: center;">3</td></tr> <tr><td style="text-align: center;">1</td></tr> </table> | 1             | 3         | 1         | <table border="1" style="margin: auto;"> <tr><td style="text-align: center;">3</td></tr> <tr><td style="text-align: center;">2</td></tr> </table> | 3 | 2 |  |
| 1   |                  |                  |               |           |   |               |           |           |   |   |   |  |
| 3   |                  |                  |               |           |   |               |           |           |   |   |   |  |
| 1   |                  |                  |               |           |   |               |           |           |   |   |   |  |
| 3   |                  |                  |               |           |   |               |           |           |   |   |   |  |
| 2   |                  |                  |               |           |   |               |           |           |   |   |   |  |
| <b>Cover strips</b>   |                  |                  |               |           |   |               |           |           |   |   |   |  |
|    | 28               | 255.5            | 24572-500     | 24571-002 | 24571-050   | 24572-117     | 24572-261 | 24571-098 |   |   |   |  |
|   | 28               | 315.5            | 24572-503     | 24571-005 | 24571-053   | 24572-120     | 24572-264 | 24571-101 |   |   |   |  |
|   | 42               | 255.5            | 24572-510     | 24571-014 | 24571-062   | 24572-129     | 24572-273 | 24571-110 |   |   |   |  |
|   | 42               | 315.5            | 24572-513     | 24571-017 | 24571-065   | 24572-132     | 24572-276 | 24571-113 |   |   |   |  |
|   | 42               | 255.5            | 24572-514     | 24571-018 | 24571-066   | 24572-133     | 24572-277 | 24571-114 |   |   |   |  |
|   | 63               | 255.5            | 24572-520     | 24571-026 | 24571-074   | 24572-141     | 24572-285 | 24571-122 |   |   |   |  |
|   | 63               | 315.5            | 24572-523     | 24571-029 | 24571-077   | 24572-144     | 24572-288 | 24571-125 |   |   |   |  |
|   | 63               | 375.5            | 24572-524     | 24571-030 | 24571-078   | 24572-145     | 24572-289 | 24571-126 |   |   |   |  |
|   | 84               | 255.5            | 24572-530     | 24571-038 | 24571-086   | 24572-153     | 24572-297 | 24571-134 |   |   |   |  |
|   | 84               | 315.5            | 24572-533     | 24571-041 | 24571-089   | 24572-156     | 24572-300 | 24571-137 |   |   |   |  |
|   | 84               | 375.5            | 24572-534     | 24571-042 | 24571-090   | 24572-157     | 24572-301 | 24571-138 |   |   |   |  |
|   | 84               | 435.5            | 24572-535     | 24571-043 | 24571-091   | 24572-158     | 24572-302 | 24571-139 |   |   |   |  |
|   | 84               | 495.5            | 24572-536     | 24571-044 | 24571-092   | 24572-159     | 24572-303 | 24571-140 |   |   |   |  |
| RPPR6629  |                  |                  |               |           |   |               |           |           |   |   |   |  |
| <b>Front handles</b>  |                  |                  |               |           |   |               |           |           |   |   |   |  |
|  | 28               | 255.5            | –             | 24571-702 | 24571-750   | 24572-213     | 24572-357 | 24571-798 |   |   |   |  |
|   | 28               | 315.5            | –             | 24571-705 | 24571-753   | 24572-216     | 24572-360 | 24571-801 |   |   |   |  |
|   | 42               | 255.5            | –             | 24571-714 | 24571-762   | 24572-225     | 24572-369 | 24571-810 |   |   |   |  |
|   | 42               | 315.5            | –             | 24571-717 | 24571-765   | 24572-228     | 24572-372 | 24571-813 |   |   |   |  |
|   | 42               | 375.5            | –             | 24571-718 | 24571-766   | 24572-229     | 24572-373 | 24571-814 |   |   |   |  |
|   | 63               | 255.5            | –             | 24571-726 | 24571-774   | 24572-237     | 24572-381 | 24571-822 |   |   |   |  |
|   | 63               | 315.5            | –             | 24571-729 | 24571-777   | 24572-240     | 24572-384 | 24571-825 |   |   |   |  |
|   | 63               | 375.5            | –             | 24571-730 | 24571-778   | 24572-241     | 24572-385 | 24571-826 |   |   |   |  |
|   | 84               | 255.5            | –             | 24571-738 | 24571-786   | 24572-249     | 24572-393 | 24571-834 |   |   |   |  |
|   | 84               | 315.5            | –             | 24571-741 | 24571-789   | 24572-252     | 24572-396 | 24571-837 |   |   |   |  |
|   | 84               | 375.5            | –             | 24571-742 | 24571-790   | 24572-253     | 24572-397 | 24571-838 |   |   |   |  |
|   | 84               | 435.5            | –             | 24571-743 | 24571-791   | 24572-254     | 24572-398 | 24571-839 |   |   |   |  |
|   | 84               | 495.5            | –             | 24571-744 | 24571-792   | 24572-255     | 24572-399 | 24571-840 |   |   |   |  |
| 0180500   |                  |                  |               |           |   |               |           |           |   |   |   |  |
| <b>19" mounting brackets</b>  |                  |                  |               |           |   |               |           |           |   |   |   |  |
|  | 84               | 255.5            | 24572-570     | 24571-438 | 24571-486   | 24572-201     | 24572-345 | 24571-534 |   |   |   |  |
|   | 84               | 315.5            | 24572-573     | 24571-441 | 24571-489   | 24572-204     | 24572-348 | 24571-537 |   |   |   |  |
|   | 84               | 375.5            | 24572-574     | 24571-442 | 24571-490   | 24572-205     | 24572-349 | 24571-538 |   |   |   |  |
|   | 84               | 435.5            | 24572-575     | 24571-443 | 24571-491   | 24572-206     | 24572-350 | 24571-539 |   |   |   |  |
|   | 84               | 495.5            | 24572-576     | 24571-444 | 24571-492   | 24572-207     | 24572-351 | 24571-540 |   |   |   |  |
| 0180502   |                  |                  |               |           |   |               |           |           |   |   |   |  |
| <b>19" mounting brackets with front handles</b>                                     |                  |                  |               |           |   |               |           |           |   |   |   |  |
|  | 84               | 255.5            | 24572-620     | 24572-630 | 24572-640   | –             | –         | 24572-660 |   |   |   |  |
|   | 84               | 315.5            | 24572-623     | 24572-633 | 24572-643   | –             | –         | 24572-663 |   |   |   |  |
|   | 84               | 375.5            | 24572-624     | 24572-634 | 24572-644   | –             | –         | 24572-664 |   |   |   |  |
|   | 84               | 435.5            | 24572-625     | 24572-635 | 24572-645   | –             | –         | 24572-665 |   |   |   |  |
|   | 84               | 495.5            | 24572-626     | 24572-636 | 24572-646   | –             | –         | 24572-666 |   |   |   |  |
| 01813051  |                  |                  |               |           |   |               |           |           |   |   |   |  |

### Note

- Dimension drawings and mounting depths see page 5.9
- Components see page 5.18

## Desk-top cases - *ratio*pacPRO

### ratio

pacPRO tower with 4 U width


06802001

- Symmetrical design, identical front and rear side
- Mounting space 4 U, 84 HP, depth 475 mm
- Case based on ratiopacPRO
- Unshielded (EMC shielding retrofittable)

#### Delivery comprises (in kit form)

| Item | Qty | Description  |
|------|-----|--|
| 1    | 2   | Base/top cover, Al, 2 mm, passivated   |
| 2    | 4   | Horizontal rail, type H-LD, Al, visible surface powder-coated, RAL 7016  |
| 3    | 4   | Cover, Al die-cast, RAL 7016   |
| 4    | 2   | Lateral cover plate, Al, 1 mm, with GND/earthing connection, visible surfaces powder-coated, internal surface conductive, RAL 9006 |
| 5    | 1   | Top cover plate, Al, 1 mm, visible surface powder-coated, RAL 9006   |
| 6    | 2   | Case foot with anti-slip protection, Al, powder-coated, RAL 7016   |
| 7    | 1   | Assembly kit   |

#### Order Information

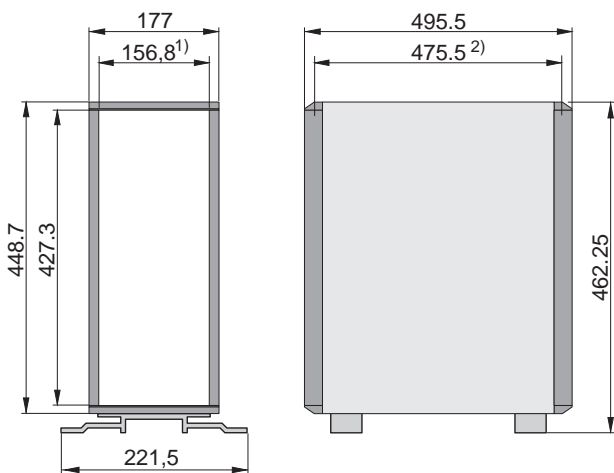
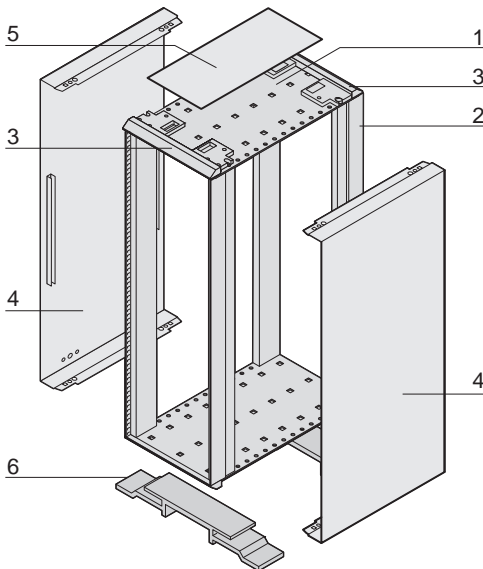
| Width | Part no.  |
|-------|-----------|
| 4 U   |           |
| 4     | 24571-395 |

#### Note

- Components see page 5.18



For further information [www.schroff.biz/oneclick](http://www.schroff.biz/oneclick)  
oneClick search code = Part no.



01802054

- 1) = open space between the horizontal rails  
2) = max. mounting depth



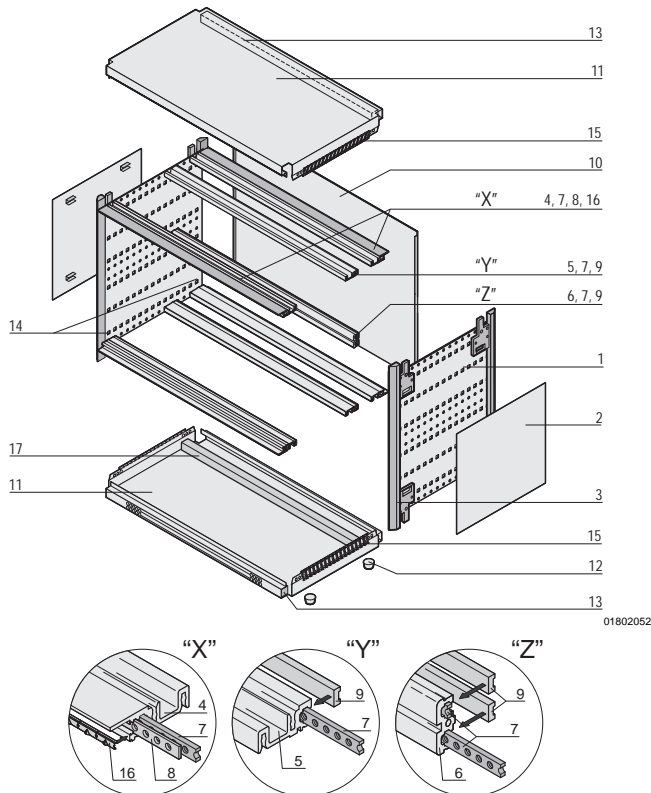
ServicePLUS see page 5.4

# Desk-top cases - *ratiopac*PRO air

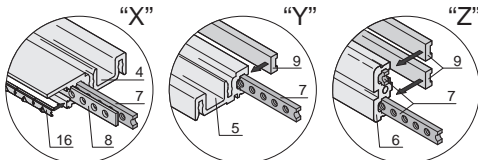
## ratiopacPRO air complete cases



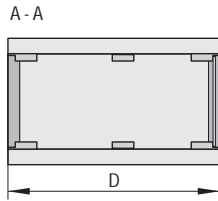
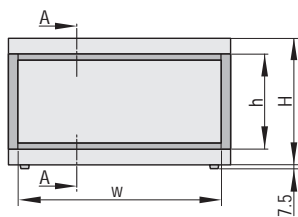
06811001



01802052

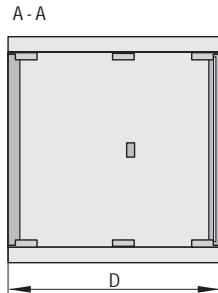
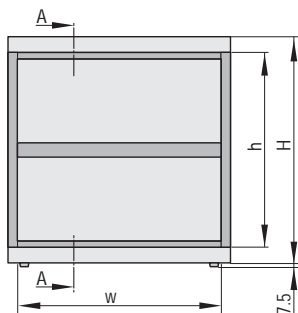


01808055



01808053

3 U



01808054

6 U

- The case has 2 x 1/2 U clearance for ventilation
- Case with cover strip; with pre-mounted components for euroboards and backplane with insulation strip; no visible screws
- Symmetrical design, identical front and rear honeycomb grid ventilation in top cover and base plate
- Available in two versions:
  - unshielded (EMC shielding retrofittable)
  - with EMC shielding fitted

### Delivery comprises (in kit form)

| Item | Qty         |          | Description   |
|------|-------------|----------|---|
|      | without EMC | with EMC |   |
| 1    | 2           | 2        | Side panel, Al, 2 mm, passivated  |
| 2    | 2           | 2        | Side plate, Al, 1 mm, visible surface RAL 9006  |
| 3    | 4           | 4        | Cover, die-cast zinc, RAL 7016, pre-mounted on EMC version only   |
| 4    | 4           | 4        | Horizontal rail, type H-LD, Al, visible surface RAL 7016  |
| 5    | 2           | 2        | Horizontal rail, centre (top/bottom), type H-ST, Al   |
| 6    | 1           | 1        | Horizontal rail, centre (on 6 U only), type ST, Al  |
| 7    | 6/8         | 6/8      | 4 U/7 U: threaded inserts, St, pre-mounted, for indirect backplane mounting with insulation strips  |
| 8    | -           | 4        | Perforated strip, pre-mounted   |
| 9    | 4           | 4        | Insulation strip, PBT, UL 94 V-0  |
| 10   | 1           | 1        | Rear panel, Al, 2.5 mm  |
| 11   | 2           | 2        | Top cover and base plate with honeycomb grid ventilation, Al, 1 mm, internal surface conductive, visible surface RAL 9006, with GND/earthing connection |
| 12   | 4           | 4        | Case foot with anti-slip protection, UL 94 V-0, PC, black   |
| 13   | 2           | 2        | Air filter  |
| 14   | -           | 1        | EMC support profile for side panel, fitted (kit)  |
| 15   | -           | 4        | EMC contact strip for cover plate, pre-mounted (kit)  |
| 16   | -           | 4        | EMC contact strip front panel - horizontal rails  |
| 17   | 1           | 1        | Compartment seal, PE foam, self-adhesive, temperature range -20 °C ... +85 °C   |
| 18   | 1           | 1        | GND/earthing kit, assembly kit  |

### Order Information

| Case height H | PCB height h | Width w | Depth D | Unshielded Part no. | EMC shielded Part no. |
|---------------|--------------|---------|---------|---------------------|-----------------------|
| U             | U            | HP      | mm      |                     |                       |
| 4             | 3            | 28      | 255.5   | 24572-025           | 24572-074             |
| 4             | 3            | 42      | 255.5   | 24572-026           | 24572-075             |
| 4             | 3            | 42      | 315.5   | 24572-027           | 24572-076             |
| 4             | 3            | 63      | 315.5   | 24572-028           | 24572-077             |
| 4             | 3            | 84      | 315.5   | 24572-029           | 24572-078             |
| 4             | 3            | 84      | 375.5   | 24572-030           | 24572-079             |
| 4             | 3            | 84      | 435.5   | 24572-031           | 24572-080             |
| 7             | 6            | 42      | 315.5   | 24572-040           | 24572-088             |
| 7             | 6            | 63      | 315.5   | 24572-041           | 24572-089             |
| 7             | 6            | 84      | 315.5   | 24572-042           | 24572-090             |
| 7             | 6            | 84      | 375.5   | 24572-043           | 24572-091             |
| 7             | 6            | 84      | 435.5   | 24572-044           | 24572-092             |

### Note

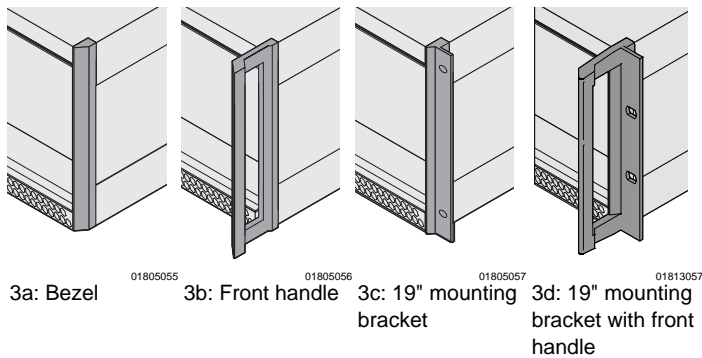
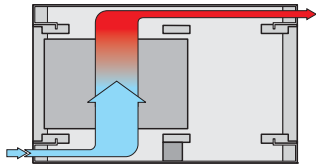
- Dimension drawings and mounting depths see page 5.16
- Components see page 5.18
- Front handles and 19" mounting brackets from page 5.24
- Guide rails from page 5.40



ServicePLUS see page 5.4

# Desk-top cases - *ratiopac*PRO air

## RatiopacPRO air case



- The case has 2 x 1/2 U clearances for ventilation beneath and above the board cage
- Cases for individual assembly with 19" standard components or specific internal mounting, e.g. with mounting plate
- Unshielded (EMC shielding retrofittable)
- Symmetrical design, identical front and rear side
- For board depth 160 mm, 220 mm, 280 mm, and 340 mm (depending on case depth)
- Online download of 3D CAD data
- Four versions:
  - Bezels
  - Front handles
  - 19" mounting brackets
  - With 19" mounting brackets and front handles

### Delivery comprises (in kit form)

| Item | Qty | Description  |
|------|-----|--|
| 1    | 2   | Side panel, Al, 2 mm, chromated  |
| 2    | 2   | Side plate, Al, 1 mm, visible surfaces powder-coated, RAL 9006   |
| 3    | 2   | Rear trim, Al die-cast, powder-coated, RAL 7016  |
| 3a   | 2   | Bezel, Al die-cast, powder-coated, RAL 7016  |
| 3b   | 2   | Front handle, Al die-cast, powder-coated, RAL 7016   |
| 3c   | 2   | 19" mounting angle, Al die-cast, powder-coated, RAL 7016   |
| 3d   | 2   | 19" mounting bracket with front handle, Al diecast, powder-coated, RAL 7016  |
| 4    | 4   | Horizontal rail, type H-LD, Al, visible surfaces powder-coated, RAL 7016   |
| 11   | 2   | 1 Top cover and base plate, Al, 1 mm, internal surfaces conductive, visible surfaces powder-coated, RAL 9006, with GND/earthing connection, top cover and base plate with ventilation comb |
| 12   | 4   | Case foot with anti-slip protection, UL 94 V-0, PC black   |
| 13   | 2   | Air filters  |
| 14   | 1   | Fixing materials kit   |

3a, 3b, 3c or 3d according to selection

### Note

- Order information see following page

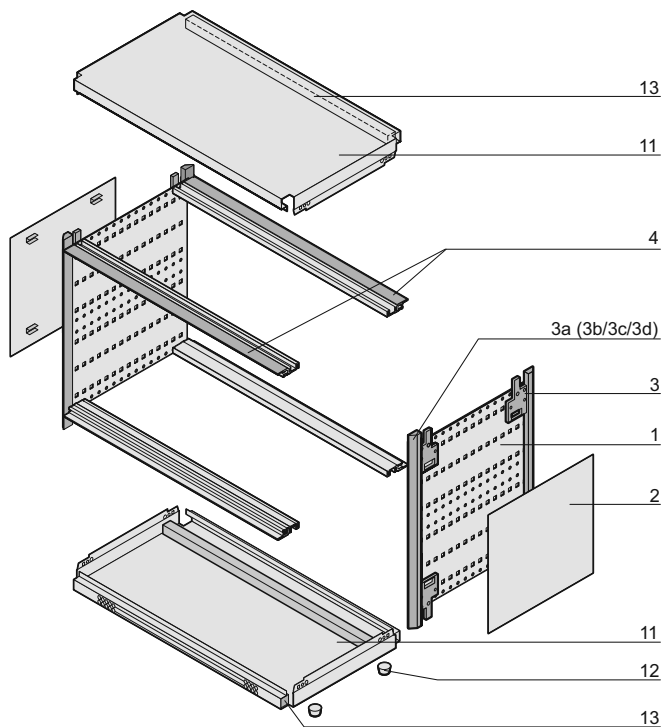
### Order Information

#### Accessories

|  |           |
|--|-----------|
| <b>Earthing kit</b> CU wire, 1.5 mm <sup>2</sup> , PVC sleeve, green/yellow, 1 kit | 24571-380 |
| <b>Al diecast foot with tip-up</b> silver, 1 piece (SPQ 10)                        | 10603-002 |
| <b>Plastic tip-up foot</b> silver, similar to RAL 9006, PU 4 pieces                | 20603-001 |
| <b>Plastic tip-up foot</b> anthracite, similar to RAL 7016, 4 pieces               | 20603-002 |
| <b>Stacking aid</b> silver, similar to RAL 9006, PA, UL 94 V-0, PU 4 pieces        | 20603-004 |
| <b>Stacking aid</b> anthracite, similar to RAL 7016, PA, UL 94 V-0, PU 4 pieces    | 20603-003 |



For further information [www.schroff.biz/oneclick](http://www.schroff.biz/oneclick)  
oneClick search code = Part no.



Drawing with front cover strip

01813066


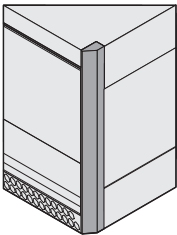
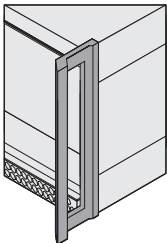
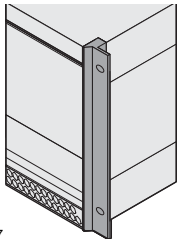
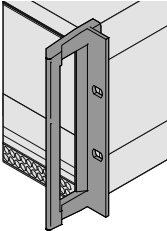


ServicePLUS see page 5.4



# Desk-top cases - *ratiopac* **PRO** air

## RatiopacPRO air case

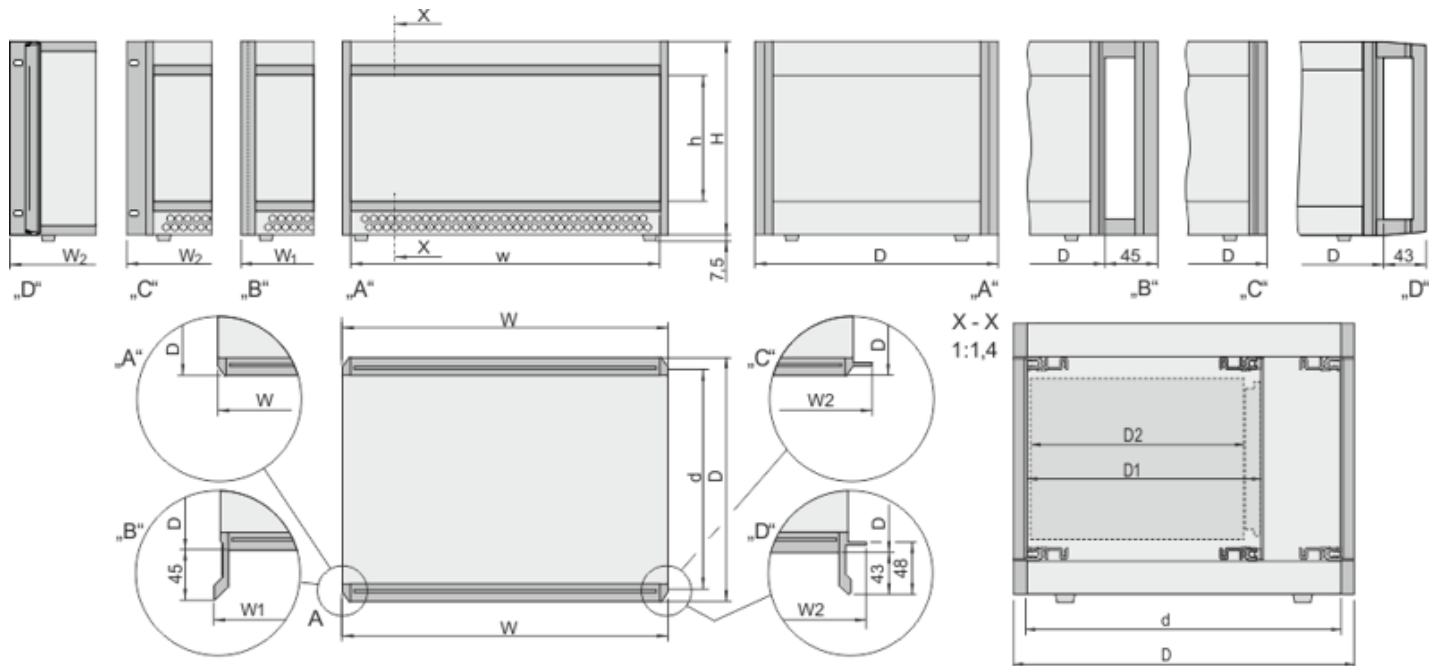
|  | Width W  | Depth D | Case height H   |           |           |
|--|----------|---------|---|-----------|-----------|
|  |          |         | 4 U   | 5 U       | 7 U       |
|  |          |         | PCB height h  |           |           |
|  |          |         |  |           |           |
|  | HP       | mm      | Part no.  | Part no.  | Part no.  |
| <b>Bezels</b><br><br>   | 28       | 255.5   | 24571-146   | 24571-194 | 24571-242 |
|  | 28       | 315.5   | 24571-149   | 24571-197 | 24571-245 |
|  | 42       | 255.5   | 24571-158   | 24571-206 | 24571-254 |
|  | 42       | 315.5   | 24571-161   | 24571-209 | 24571-257 |
|  | 42       | 375.5   | 24571-162   | 24571-210 | 24571-258 |
|  | 63       | 255.5   | 24571-170   | 24571-218 | 24571-266 |
|  | 63       | 315.5   | 24571-173   | 24571-221 | 24571-269 |
|  | 63       | 375.5   | 24571-174   | 24571-222 | 24571-270 |
|  | 63       | 435.5   | 24571-175   | 24571-223 | 24571-271 |
|  | 84       | 255.5   | 24571-182   | 24571-230 | 24571-278 |
|  | 84       | 315.5   | 24571-185   | 24571-233 | 24571-281 |
|  | 84       | 375.5   | 24571-186   | 24571-234 | 24571-282 |
|  | 84       | 435.5   | 24571-187   | 24571-235 | 24571-283 |
|  | 84       | 495.5   | 24571-188   | 24571-236 | 24571-284 |
|  | 01805055 |         |   |           |           |
| <b>Front handles</b><br><br>                                | 28       | 255.5   | 24571-846   | 24571-894 | 24571-942 |
|  | 28       | 315.5   | 24571-849   | 24571-897 | 24571-945 |
|  | 42       | 255.5   | 24571-858   | 24571-906 | 24571-954 |
|  | 42       | 315.5   | 24571-861   | 24571-909 | 24571-957 |
|  | 42       | 375.5   | 24571-862   | 24571-910 | 24571-958 |
|  | 42       | 435.5   | 24571-863   | 24571-911 | 24571-959 |
|  | 63       | 315.5   | 24571-873   | 24571-921 | 24571-969 |
|  | 63       | 375.5   | 24571-874   | 24571-922 | 24571-970 |
|  | 63       | 435.5   | 24571-875   | 24571-923 | 24571-971 |
|  | 84       | 255.5   | 24571-882   | 24571-930 | 24571-978 |
|  | 84       | 315.5   | 24571-885   | 24571-933 | 24571-981 |
|  | 84       | 375.5   | 24571-886   | 24571-934 | 24571-982 |
|  | 84       | 435.5   | 24571-887   | 24571-935 | 24571-983 |
|  | 84       | 495.5   | 24571-888   | 24571-936 | 24571-984 |
|  | 01805056 |         |   |           |           |
| <b>19" mounting brackets</b><br><br>                        | 84       | 255.5   | 24571-582   | 24571-630 | 24571-678 |
|  | 84       | 315.5   | 24571-585   | 24571-633 | 24571-681 |
|  | 84       | 375.5   | 24571-586   | 24571-634 | 24571-682 |
|  | 84       | 435.5   | 24571-587   | 24571-635 | 24571-683 |
|  | 84       | 495.5   | 24571-588   | 24571-636 | 24571-684 |
| 01805057   |          |         |   |           |           |
| <b>With 19" mounting brackets and front handles</b><br><br> | 84       | 255.5   | 24572-670   | –         | 24572-690 |
|  | 84       | 315.5   | 24572-673   | –         | 24572-693 |
|  | 84       | 375.5   | 24572-674   | –         | 24572-694 |
|  | 84       | 435.5   | 24572-675   | –         | 24572-695 |
|  | 84       | 495.5   | 24572-676   | –         | 24572-696 |
| 01805057   |          |         |   |           |           |

### Note

- Dimension drawings and mounting depths see page 5.16
- Components see page 5.18

# Desk-top cases - *ratiopac*PRO air

## RatiopacPRO air dimension drawings



01805058

RatiopacPRO air with A - bezel; B - front handle; C - 19" mounting bracket; D - 19" mounting bracket with front handle

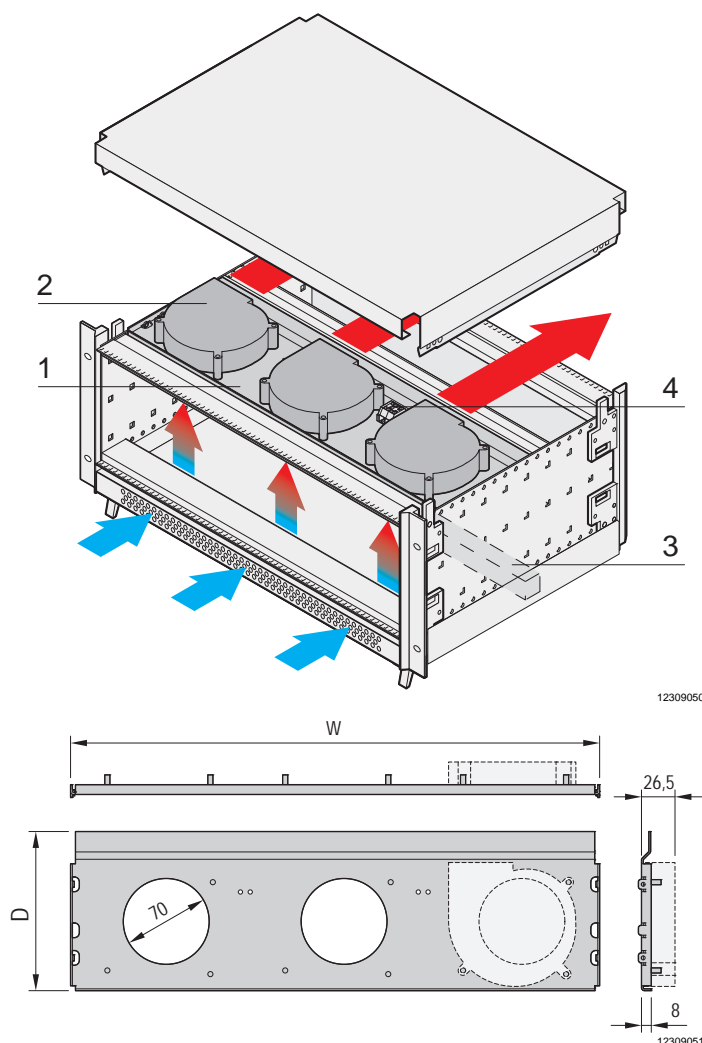
### Dimensions table RatiopacPRO air

| Height |            | Width      |          |            |             |             |            | Depth                     |                            |                              |                            |
|--------|------------|------------|----------|------------|-------------|-------------|------------|---------------------------|----------------------------|------------------------------|----------------------------|
| in U   | H<br>in mm | H<br>in mm | in<br>HP | W<br>in mm | W1<br>in mm | W2<br>in mm | w<br>in mm | D<br>Total depth<br>in mm | d<br>Usable depth<br>in mm | D1<br>Plug-in depth<br>in mm | d2<br>Board depth<br>in mm |
| 4      | 177.00     | 112.35     | 28       | 164.42     | 177.62      | 198.12      | 142.82     | 255.5                     | 235.5                      | 175                          | 160                        |
|        |            |            | 42       | 235.54     | 248.74      | 269.24      | 213.94     |                           |                            | 235                          | 220                        |
|        |            |            | 63       | 342.42     | 355.42      | 375.92      | 320.62     |                           |                            | 175                          | 160                        |
|        |            |            | 84       | 448.90     | 462.10      | 482.60      | 427.30     |                           |                            | 235                          | 220                        |
| 5      | 221.45     | 156.80     | 42       | 235.54     | 248.74      | 269.24      | 213.94     | 315.5                     | 295.5                      | 295                          | 280                        |
|        |            |            | 63       | 342.42     | 355.42      | 375.92      | 320.62     |                           |                            | 175                          | 160                        |
|        |            |            | 84       | 448.90     | 462.10      | 482.60      | 427.30     |                           |                            | 235                          | 220                        |
| 7      | 310.35     | 245.70     | 42       | 235.54     | 248.74      | 269.24      | 213.94     | 375.5                     | 355.5                      | 295                          | 280                        |
|        |            |            | 63       | 342.42     | 355.42      | 375.92      | 320.62     |                           |                            | 355                          | 340                        |
|        |            |            | 84       | 448.90     | 462.10      | 482.60      | 427.30     |                           |                            | 175                          | 160                        |
|        |            |            |          |            |             |             |            |                           |                            | 235                          | 220                        |
| 435.5  | 415.5      | 295        | 280      |            |             |             |            |                           |                            |                              |                            |
|        |            | 355        | 340      |            |             |             |            |                           |                            |                              |                            |
|        |            | 175        | 160      |            |             |             |            |                           |                            |                              |                            |
| 495.5  | 475.5      | 235        | 220      |            |             |             |            |                           |                            |                              |                            |
|        |            | 295        | 280      |            |             |             |            |                           |                            |                              |                            |
|        |            | 355        | 340      |            |             |             |            |                           |                            |                              |                            |
|        |            | 175        | 160      |            |             |             |            |                           |                            |                              |                            |

Components mountable in 15 mm depth grid

## Desk-top cases - *ratiopac*PRO air

### Radial fan unit for ratiopacPRO air



Depth D: 129.8 / 189.9 mm for 160 mm / 220 mm euroboards

- Only 1/2 U height
- Ball-bearing radial fans
- Fan holder in 4 widths and 2 depths
- Air capacity 36 m<sup>3</sup>/h (free blowing) per fan
- Air exhaust via perforation in cover plate
- No mechanical modification to case necessary
- Simple mounting
- No restriction to rear mounting space

#### Delivery comprises (Kit)

| Item | Qty | Description  |
|------|-----|--|
| 1    | 1   | Fan support, Al, 1.5 mm, with crimp sockets for mounting the fans  |
| 2    | 1-3 | Radial fan, ball bearing, 12 V <sub>DC</sub> ; airflow volume (50 Hz) 36 m <sup>3</sup> /h, free blowing; power consumption 6.7 W; connecting cable 300 mm, without plug (AWG 26); noise level in dB (A): 47.0; max. static pressure in Pa: 190; max. ambient temperature: 60 °C; fan housing and rotor: UL 94 V-0 |
| 3    | 1   | Compartment seal, PE foam, UL 94, self-adhesive, temperature range -20 °C ... +85 °C   |
| 4    | 1   | Terminal clamp, UL 90 V-0  |
| 5    | 1   | Assembly kit   |

#### Order Information

| Width<br>HP | Width<br>mm | Number of<br>fans | Part no.<br>for PCB depth |           |
|-------------|-------------|-------------------|---------------------------|-----------|
|             |             |                   | 160 mm                    | 220 mm    |
| 28          | 146.87      | 1                 | 24572-404                 | 24572-408 |
| 42          | 218.00      | 1                 | 24572-405                 | 24572-409 |
| 63          | 324.67      | 2                 | 24572-406                 | 24572-410 |
| 84          | 431.35      | 3                 | 24572-407                 | 24572-411 |

#### Note

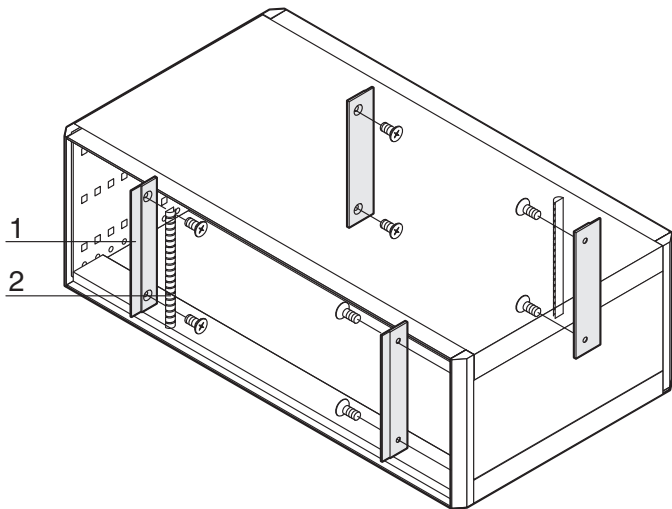
- Further configurations available on request
- Fans with tacho signal available on request



For further information [www.schroff.biz/oneclick](http://www.schroff.biz/oneclick)  
oneClick search code = Part no.

## Desk-top cases - *ratiopac* **PRO** / -air

### EMC sealing front/rear panel to side panel



rppr6639

- For vertical EMC shielding between sub-assemblies and side panel
- Scope of delivery sufficient for one case

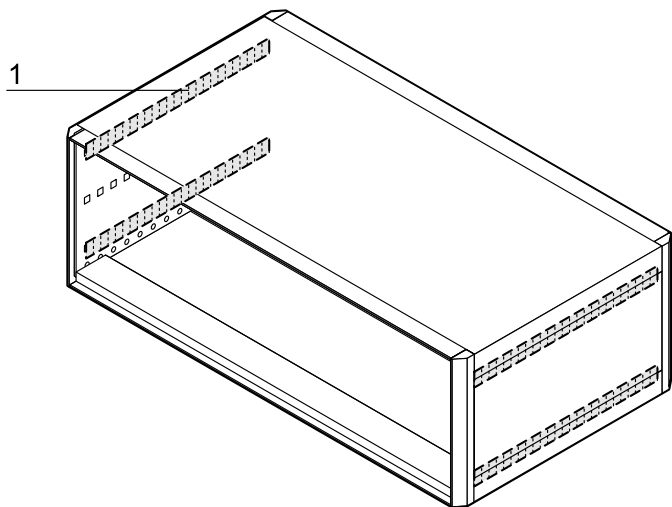
#### Delivery comprises (kit)

| Item | Qty | Description   |
|------|-----|---|
| 1    | 4   | EMC support profile, Al extrusion   |
| 2    | 2   | EMC sealing (textile), core: foam, sleeve: textile cladding with CuNi coating |
| 3    | 1   | Assembly kit  |

#### Order Information

| For case height | Part no.  |
|-----------------|-----------|
| <b>U</b>        |           |
| 2, 3-air        | 24571-334 |
| 3, 4-air        | 24571-331 |
| 4, 5-air        | 24571-332 |
| 6, 7-air        | 24571-333 |
| 5, 6-air        | 24571-335 |

### EMC sealing side panel to cover plate



RPPR6640

- For horizontal EMC shielding between side panels and cover plates
- Scope of delivery sufficient for one case

#### Delivery comprises (kit)

| Item | Qty | Description                    |
|------|-----|--------------------------------|
| 1    | 4   | Contact strip, stainless steel |

#### Order Information

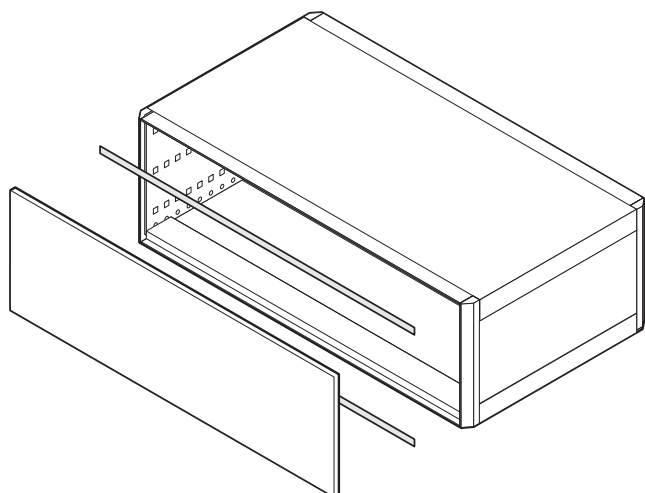
| Depth     | Part no.  |
|-----------|-----------|
| <b>mm</b> |           |
| 255       | 24571-338 |
| 315       | 24571-339 |
| 375       | 24571-340 |
| 435       | 24571-341 |
| 495       | 24571-342 |



For further information [www.schroff.biz/oneclick](http://www.schroff.biz/oneclick)  
oneClick search code = Part no.

## Desk-top cases - *ratio*pac PRO / -air

### EMC sealing front/rear panel to horizontal rail



rppr6739

- The contact strip is clipped onto the horizontal rail and sets up the contact to front panel or rear panel
- Can be used for rear horizontal rails (H-VT, L-VT) and all front horizontal rails

#### Delivery comprises

| Item | Qty    | Description                |
|------|--------|----------------------------|
| 1    | 10/100 | Stainless steel EMC gasket |

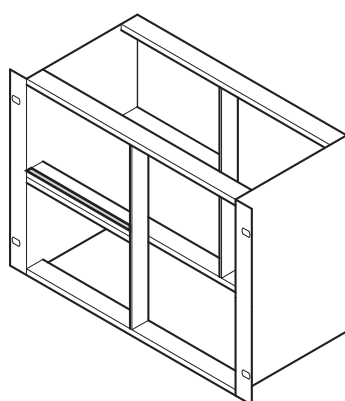
#### Order Information

| Width HP | Width mm | Qty/PU | Part no.  |
|----------|----------|--------|-----------|
| 28       | 131.78   | 10     | 24560-229 |
| 42       | 202.9    | 10     | 24560-231 |
| 63       | 304.8    | 10     | 24560-233 |
| 84       | 416.3    | 10     | 24560-235 |
| 84       | 416.3    | 100    | 24560-236 |

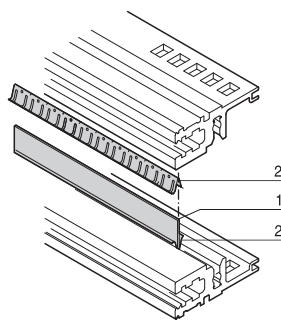


For further information [www.schroff.biz/oneclick](http://www.schroff.biz/oneclick)  
oneClick search code = Part no.

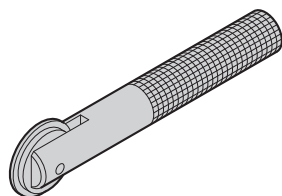
### EMC sealing horizontal rail to horizontal rail



BPA46548



BZA45877



aza45937

Assembly tool

- For shielding of two horizontal rails located directly above each other with vertical division of the mounting height

#### Delivery comprises

| Item | Qty | Description                   |
|------|-----|-------------------------------|
| 1    | 1   | Cover strip, Al, 1 mm         |
| 2    | 2   | Contact spring, St, stainless |

#### Order Information

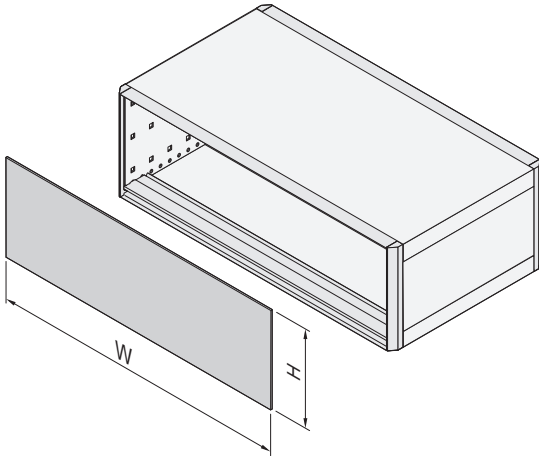
| Length HP   | Part no.  |
|---|-----------|
| 20  | 24562-520 |
| 28  | 24562-528 |
| 40  | 24562-540 |
| 42  | 24562-542 |
| 63  | 24562-563 |
| 84  | 24562-584 |
| <b>Assembly tool for EMC sealing, St, stainless (horizontal rails), 1 piece</b> |           |
|   | 24560-271 |



For further information [www.schroff.biz/oneclick](http://www.schroff.biz/oneclick)  
oneClick search code = Part no.

## Desk-top cases - *ratiopac* **PRO** / -air

EMC front/rear panel, slotted, shielded



- No screws required for fixing
- Special horizontal rails cover the edges of the front panel (top and bottom) and prevent bowing of the front panel

**NEW**

### Delivery comprises (Kit)

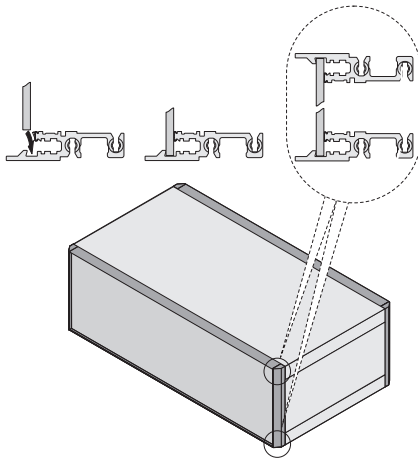
| Item | Qty | Description  |
|------|-----|--|
| 1    | 1   | Full-width front panel, Al, 2.5 mm, front: anodised, rear: colour passivated |
| 2    | 2   | Horizontal rail, front; special for this front panel                         |
| 3    | 4   | EMC support profile  |
| 4    | 2   | Contact strip horizontal rail - front panel                                  |
| 5    | 3   | EMC textile gasket   |
| 6    | 1   | Fixing material kit, user manual   |

01811055

### Order Information

| For case height | Height H | For case width | Width W | Part no.  |
|-----------------|----------|----------------|---------|-----------|
| U               | mm       | HP             | mm      |           |
| 2, 3-air        | 84.0     | 28             | 141.9   | 24572-599 |
| 2, 3-air        | 84.0     | 42             | 213.2   | 24572-600 |
| 2, 3-air        | 84.0     | 63             | 319.7   | 24572-601 |
| 2, 3-air        | 84.0     | 84             | 426.4   | 24572-602 |
| 3, 4-air        | 128.4    | 28             | 141.9   | 24572-603 |
| 3, 4-air        | 128.4    | 42             | 213.2   | 24572-604 |
| 3, 4-air        | 128.4    | 63             | 319.7   | 24572-605 |
| 3, 4-air        | 128.4    | 84             | 426.4   | 24572-606 |
| 4, 5-air        | 172.9    | 28             | 141.9   | 24572-607 |
| 4, 5-air        | 172.9    | 42             | 213.2   | 24572-608 |
| 4, 5-air        | 172.9    | 63             | 319.7   | 24572-609 |
| 4, 5-air        | 172.9    | 84             | 426.4   | 24572-610 |

01811056



Front panel/horizontal rail

### Note

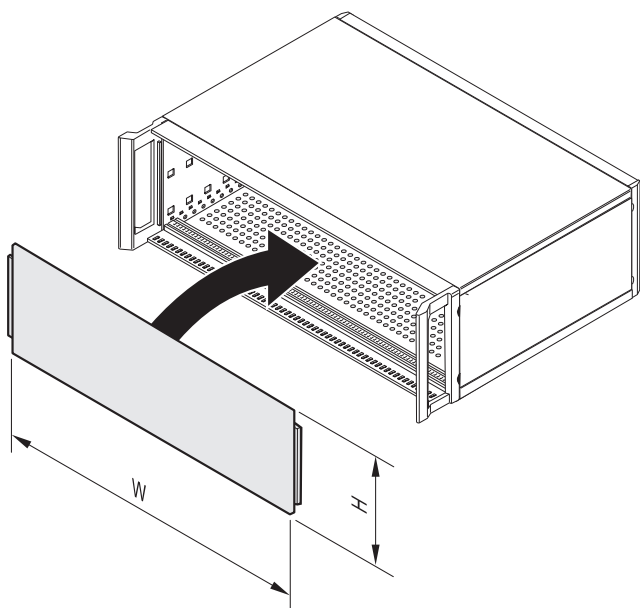
- To obtain a shielded case, all EMC sealings must be fitted (front panel/rear panel - side panel; side panel - cover plate; front panel/rear panel - horizontal rail; horizontal rail - horizontal rail)
- EMC sealing see from page 5.18



For further information [www.schroff.biz/oneclick](http://www.schroff.biz/oneclick)  
oneClick search code = Part no.

## Desk-top cases - *ratio*pac **PRO** / -air

Full-width front panel, slotted, unshielded



06801502

- Front panels can also be used as rear panels
- No screws required for fixing
- Inserted between side panel and castings such as trim, 19" mounting bracket or handle

### Delivery comprises

| Item | Qty | Description   |
|------|-----|---|
| 1    | 1   | Front panel, Al, 2.5 mm, front: anodised, rear: colour passivated |

### Order Information

| For case height | Height H | For case width | Width W | Part no.         |
|-----------------|----------|----------------|---------|------------------|
| U               | mm       | HP             | mm      |                  |
| 2, 3-air        | 84       | 28             | 141.9   | <b>34571-617</b> |
| 2, 3-air        | 84       | 42             | 213.2   | <b>34571-618</b> |
| 2, 3-air        | 84       | 63             | 319.7   | <b>34571-619</b> |
| 2, 3-air        | 84       | 84             | 426.4   | <b>34571-620</b> |
| 3, 4-air        | 128.4    | 28             | 141.9   | <b>34571-605</b> |
| 3, 4-air        | 128.4    | 42             | 213.2   | <b>34571-606</b> |
| 3, 4-air        | 128.4    | 63             | 319.7   | <b>34571-607</b> |
| 3, 4-air        | 128.4    | 84             | 426.4   | <b>34571-608</b> |
| 4, 5-air        | 172.9    | 28             | 141.9   | <b>34571-609</b> |
| 4, 5-air        | 172.9    | 42             | 213.2   | <b>34571-610</b> |
| 4, 5-air        | 172.9    | 63             | 319.7   | <b>34571-611</b> |
| 4, 5-air        | 172.9    | 84             | 426.4   | <b>34571-612</b> |
| 5, 6-air        | 217.3    | 28             | 141.9   | <b>34571-621</b> |
| 5, 6-air        | 217.3    | 42             | 213.2   | <b>34571-622</b> |
| 5, 6-air        | 217.3    | 63             | 319.7   | <b>34571-623</b> |
| 5, 6-air        | 217.3    | 84             | 426.4   | <b>34571-624</b> |
| 6, 7-air        | 261.8    | 28             | 141.9   | <b>34571-613</b> |
| 6, 7-air        | 261.8    | 42             | 213.2   | <b>34571-614</b> |
| 6, 7-air        | 261.8    | 63             | 319.7   | <b>34571-615</b> |
| 6, 7-air        | 261.8    | 84             | 426.4   | <b>34571-616</b> |

### Note

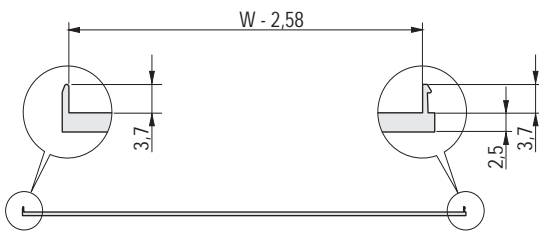
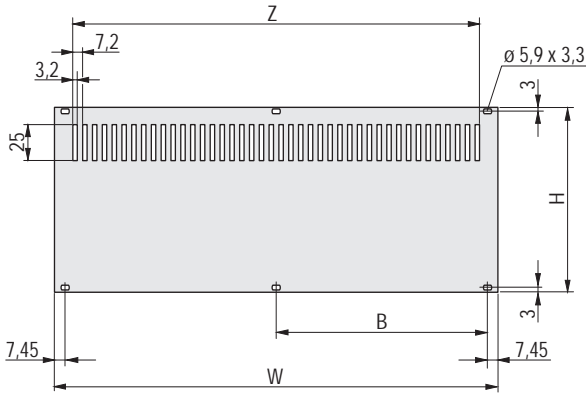
- Screw-fixed front panels see chapter Front panels, page 7.4



For further information [www.schroff.biz/oneclick](http://www.schroff.biz/oneclick)  
oneClick search code = Part no.

# Desk-top cases - *ratiopac* **PRO** / -air

## Rear panels with ventilation slots



Shieldable

01802055



Unshielded

01804050

- Two versions:  
unshielded, Al, 2.5 mm;  
shieldable, Al extrusion (textile EMC seal, retrofittable)
- Mounting on horizontal rails (top and bottom)

### Delivery comprises

| Item | Qty | Description   |
|------|-----|---|
| 1    | 1   | Rear panel, Al, 2.5 mm, front: anodised, rear: iridescent green chromated; unshielded or shieldable with EMC seal (textile) |

### Order Information

| Height U | H mm  | Width W HP mm | B mm  | unshielded Part no. | shieldable Part no. |
|----------|-------|---------------|-------|---------------------|---------------------|
| 2, 3-air | 84    | 28 141.9      | -     | 30849-007           | 20848-679           |
| 2, 3-air | 84    | 42 213        | 101.6 | 30849-014           | 20848-680           |
| 2, 3-air | 84    | 63 319.7      | 157.5 | 30849-015           | 20848-681           |
| 2, 3-air | 84    | 84 426.4      | 208.3 | 30849-016           | 20848-682           |
| 3, 4-air | 128.4 | 28 141.9      | -     | 30849-008           | 20848-633           |
| 3, 4-air | 128.4 | 42 213        | 101.6 | 30849-021           | 20848-634           |
| 3, 4-air | 128.4 | 63 319.7      | 157.5 | 30849-022           | 20848-635           |
| 3, 4-air | 128.4 | 84 426.4      | 208.3 | 30849-023           | 20848-636           |
| 4, 5-air | 172.9 | 28 141.9      | -     | 30849-009           | 20848-656           |
| 4, 5-air | 172.9 | 42 213        | 101.6 | 30849-028           | 20848-657           |
| 4, 5-air | 172.9 | 63 319.7      | 157.5 | 30849-029           | 20848-658           |
| 4, 5-air | 172.9 | 84 426.4      | 208.3 | 30849-030           | 20848-659           |
| 5, 6-air | 217.3 | 28 141.9      | -     | 30849-011           | 20848-744           |
| 5, 6-air | 217.3 | 42 213        | 101.6 | 30849-171           | 20848-745           |
| 5, 6-air | 217.3 | 63 319.7      | 157.5 | 30849-172           | 20848-746           |
| 5, 6-air | 217.3 | 84 426.4      | 208.3 | 30849-173           | 20848-747           |
| 6, 7-air | 261.8 | 28 141.9      | -     | 30849-010           | 20848-640           |
| 6, 7-air | 261.8 | 42 213        | 101.6 | 30849-035           | 20848-641           |
| 6, 7-air | 261.8 | 63 319.7      | 157.5 | 30849-036           | 20848-642           |
| 6, 7-air | 261.8 | 84 426.4      | 208.3 | 30849-037           | 20848-643           |

- Please order textile EMC seals separately
- Assembly parts see page Chapter 7, Front panels
- Rear/front panels without perforation see Chapter 7, Front panels
- Rear panels with fan available on request

## Textile EMC seals

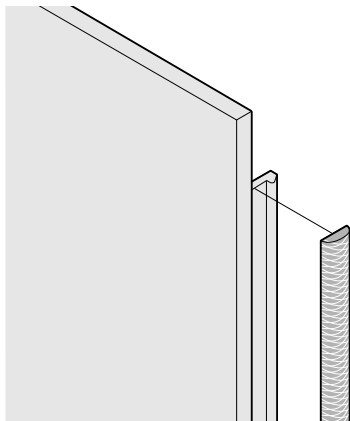
### Delivery comprises

| Item | Qty    | Description  |
|------|--------|--|
| 1    | 10/100 | Textile EMC seal, core: foam, sleeve: textile cladding with CuNi coating |

### Order Information

| Height U | Height mm | Qty/PU pieces | Part no.  |
|----------|-----------|---------------|-----------|
| 2, 3-air | 52        | 10            | 21101-857 |
| 3, 4-air | 97        | 100           | 21101-854 |
| 3, 4-air | 97        | 10            | 21101-853 |
| 4, 5-air | 142       | 10            | 21101-858 |
| 5, 6-air | 187       | 10            | 21101-978 |
| 6, 7-air | 232       | 100           | 21101-856 |
| 6, 7-air | 232       | 10            | 21101-855 |

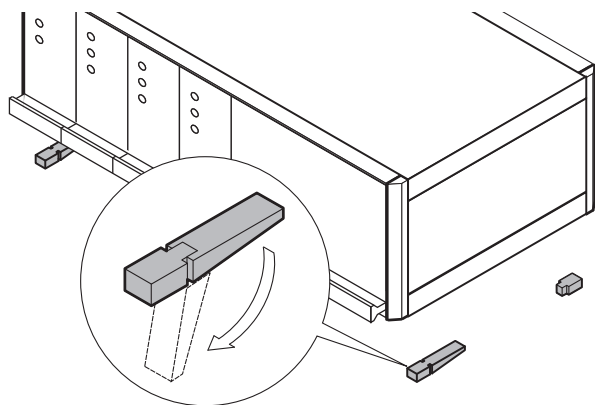
04602054





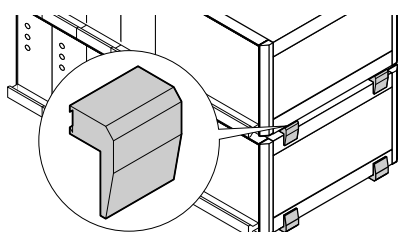
## Desk-top cases - *ratio*pacPRO / -air

### Tip-up feet and stacking aid/design element



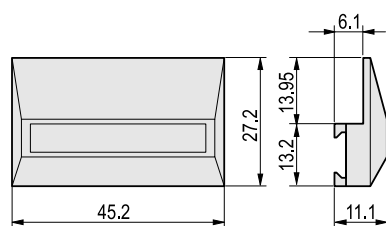
Tip-up foot

01802075



Stacking aid/design element

01802076



- Can be used instead of standard feet
- Carrying capacity: 25 kg per foot
- Mounting holes in bottom of casing

#### Delivery comprises ((kit))

| Item | Qty | Description                  |
|------|-----|------------------------------|
| 1    | 4   | Foot, PA, UL 94 V-0          |
| 2    | 4   | Anti-slip protection, TPE    |
| 3    | 2   | Tip-up device, PA, UL 94 V-0 |
| 4    | 1   | Assembly kit                 |

#### Order Information

| Description  | Part no.  |
|--|-----------|
| Tip-up foot, silver, similar to RAL 9006   | 20603-001 |
| Tip-up foot, anthracite, similar to RAL 7016   | 20603-002 |
| <b>Stacking aid/design element</b> silver, similar to RAL 9006, PA, UL 94 V-0, PU 4 pieces     | 20603-004 |
| <b>Stacking aid/design element</b> anthracite, similar to RAL 7016, PA, UL 94 V-0, PU 4 pieces | 20603-003 |

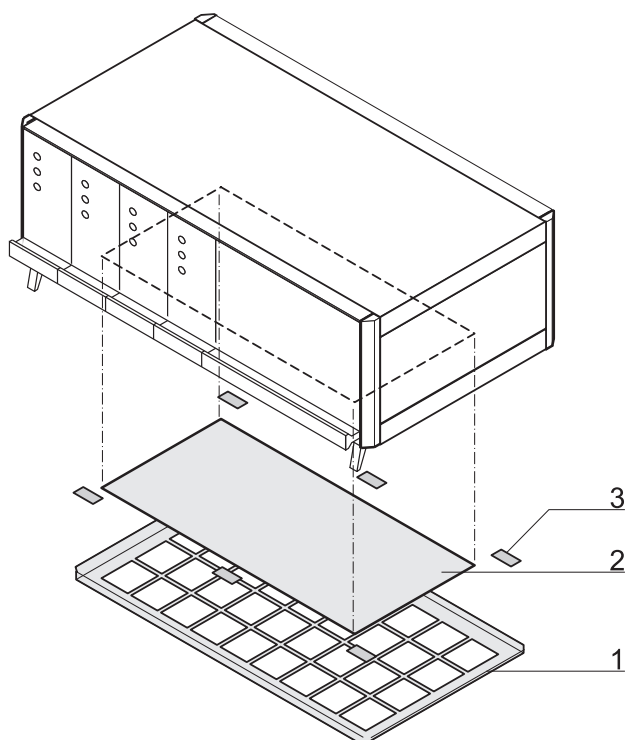
#### Note

- Tip-up feet are required to mount the stacking aid



For further information [www.schroff.biz/oneclick](http://www.schroff.biz/oneclick)  
oneClick search code = Part no.

### Air filters for ratiopacPRO air



- Retrofit mounting without reworking and tools
- Filter replacement without opening the case, IP protection retained

#### Delivery comprises (kit)

| Item | Qty | Description                                      |
|------|-----|--|
| 1    | 1   | Filter holder, Al, 1 mm, powder-coated, RAL 9006 |
| 2    | 1   | Filter mat, synthetic fibre                      |
| 3    | 1   | Self-adhesive fixings                            |

#### Order Information

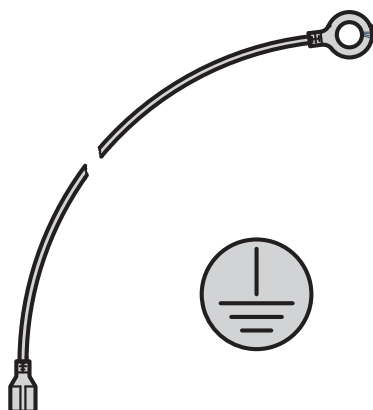
| For case width | Air filter | Replacement filter 1 piece |
|----------------|------------|----------------------------|
| HP             | Part no.   | Part no.                   |
| 28             | 24571-325  | 64571-033                  |
| 42             | 24571-326  | 64571-034                  |
| 63             | 24571-327  | 64571-035                  |
| 84             | 24571-328  | 64571-036                  |

- To optimise the air supply, tip-up feet must be fitted to the case, see page 5.23

rppr6658

## Desk-top cases - *ratiopac PRO* / -air

### Earthing kit



aza43284

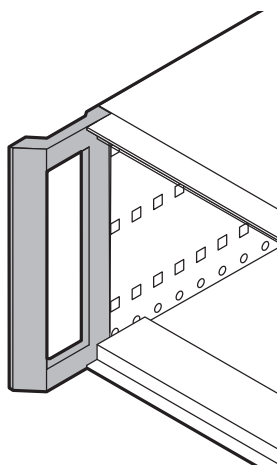
- Forms the GND/earthing connections between side panels, base plate, top cover and rear panel
- Protective GND/earthing connections in accordance with:
  - DIN EN 50178/VDE 0160
  - DIN EN 60950/VDE 0805
  - DIN EN 61010-1/VDE 0411 part 1
  - DIN EN 61010-1A2/VDE 0411 part 1/A1
- VDE tested

### Order Information

| Description  | Part no.  |
|--|-----------|
| GND/earthing kit, Cu wire 1.5 mm <sup>2</sup> , PVC sleeve, green/yellow | 24571-380 |

## Desk-top cases - *ratiopac PRO*

### Front handles for retrofitting



RPPR6651

- For conversion of cases with cover strip, 19" mounting bracket or 19" mounting bracket with front handle

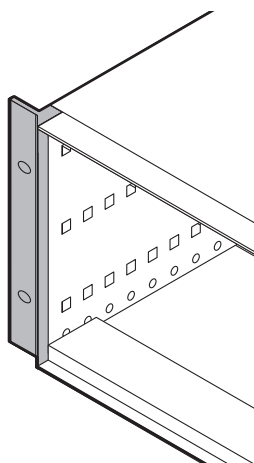
#### Delivery comprises

| Item | Qty | Description  |
|------|-----|--|
| 1    | 2   | Front handle, Al die-cast, powder-coated, RAL 7016 |

#### Order Information

| Front handle for      | Part no.  |
|-----------------------|-----------|
| RatiopacPRO 3 U       | 24571-301 |
| RatiopacPRO 4 U       | 24571-302 |
| RatiopacPRO 5 U       | 24571-993 |
| RatiopacPRO 6 U       | 24571-303 |
| RatiopacPRO air 3/4 U | 24571-304 |
| RatiopacPRO air 4/5 U | 24571-305 |
| RatiopacPRO air 6/7 U | 24571-306 |

### 19" mounting brackets for retrofitting



RPPR6652

- For conversion of cases with cover strip, front handle or 19" mounting bracket with front handle

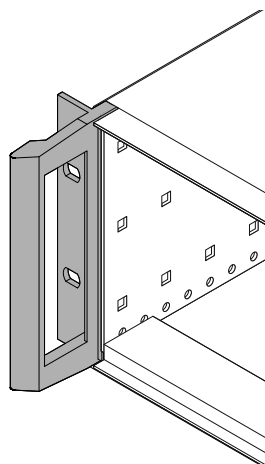
#### Delivery comprises

| Qty | Description   |
|-----|---|
| 2   | 19" mounting bracket, Al diecast, powder-coated, RAL 7016 |

#### Order Information

| 19" mounting angle  | Part no.  |
|---------------------|-----------|
| RatiopacPRO 2 U     | 24571-994 |
| RatiopacPRO 3 U     | 24571-295 |
| RatiopacPRO 4 U     | 24571-296 |
| RatiopacPRO 5 U     | 24571-992 |
| RatiopacPRO 6 U     | 24571-297 |
| RatiopacPRO air 4 U | 24571-298 |
| RatiopacPRO air 5 U | 24571-299 |
| RatiopacPRO air 7 U | 24571-300 |

### 19" mounting bracket with front handle for conversion



01813056

- For conversion of cases with cover strip, front handle or 19" mounting bracket

#### Delivery comprises

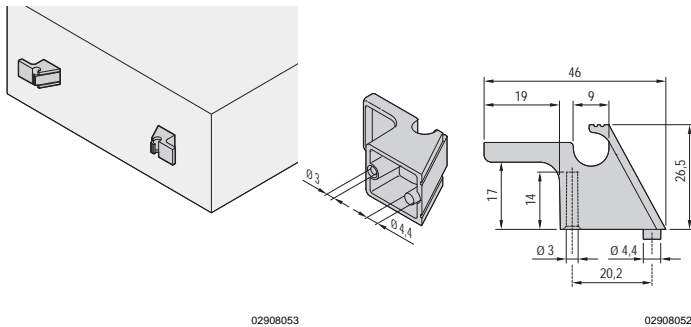
| Qty | Description   |
|-----|---|
| 2   | 19" mounting bracket with front handle, Al diecast, powder-coated, RAL 7016 |

#### Order Information

| 19" mounting angle  | Part no.  |
|---------------------|-----------|
| RatiopacPRO 2 U     | 24572-700 |
| RatiopacPRO 3 U     | 24572-701 |
| RatiopacPRO 4 U     | 24572-702 |
| RatiopacPRO 6 U     | 24572-704 |
| RatiopacPRO air 4 U | 24572-705 |
| RatiopacPRO air 7 U | 24572-707 |

## Desk-top cases - *ratiopac*PRO / -air

### Cable holder



#### Delivery comprises

| Item | Qty | Description   |
|------|-----|---|
| 1    | 2   | Cable bracket, ABS, UL V-94 0, RAL 7016, detent for cables between 8 mm and 12 mm |
| 2    | 1   | Drilling template, two drilled holes each per bracket are needed in rear panel    |
| 3    | 1   | Assembly kit  |

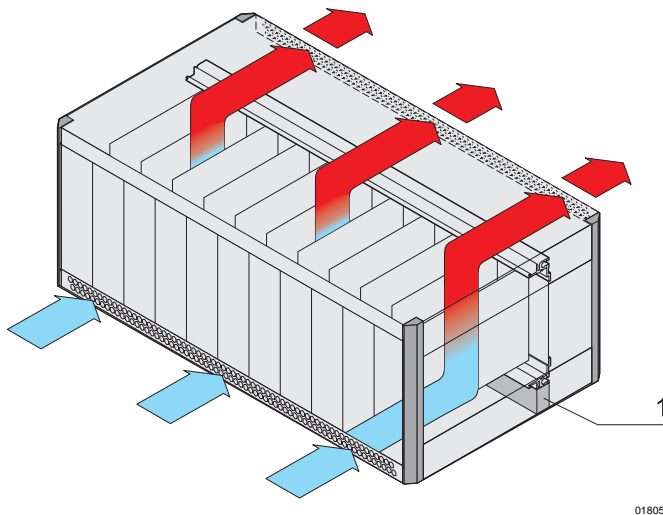
#### Order Information

| Description  | Part no.  |
|--------------|-----------|
| Cable holder | 24575-800 |



For further information [www.schroff.biz/oneclick](http://www.schroff.biz/oneclick)  
oneClick search code = Part no.

### Air baffles for ratiopacPRO air



- The air baffle (item 1) closes the space (1/2 U) between the rear horizontal rail and base plate

#### Delivery comprises (in kit form)

| Item | Qty | Description   |
|------|-----|---|
| 1    | 1   | Compartment seal, PE foam, UL 94 HF 1 + HF 2, self-adhesive, temperature range: -40 °C ... +85 °C |

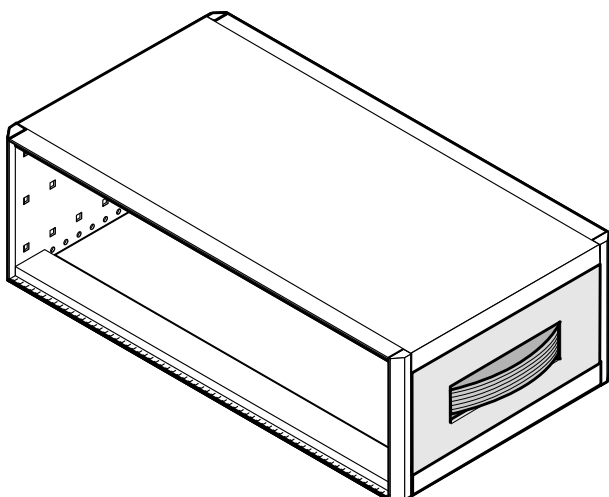
#### Order Information

| For case width | Length | Part no.  |
|----------------|--------|-----------|
| HP             | mm     |           |
| 42             | 218.4  | 20833-351 |
| 63             | 325.1  | 20833-352 |
| 84             | 431.8  | 20833-353 |

#### Note

- Fan rear panel available on request
- Radial fan unit see page 5.17

### Strap handles



- Retrofittable without mechanical modifications to the case
- Static load-carrying capacity 20 kg per pair

#### Delivery comprises (kit)

| Item | Qty | Description   |
|------|-----|---|
| 1    | 1   | Handle, steel spring, plastic-sheathed (flexible plastic), RAL 7016 |
| 2    | 1   | Side plate, Al, visible surfaces powder-coated, RAL 9006            |
| 3    | 2   | Adaptor, Al die-cast  |
| 4    | 1   | Assembly kit  |

#### Order Information

| For case depth | For case height | For case height4 |
|----------------|-----------------|------------------|
|                | 3 U, 4 U air    | HE, 5 Uair       |
| mm             | Part no.        | Part no.         |
| 315            | 24571-308       | 24571-314        |
| 375            | 24571-309       | 24571-315        |
| 435            | 24571-310       | 24571-316        |

## Desk-top cases - *ratiopac PRO* / -air

### Tip-up carrying handles



06803006

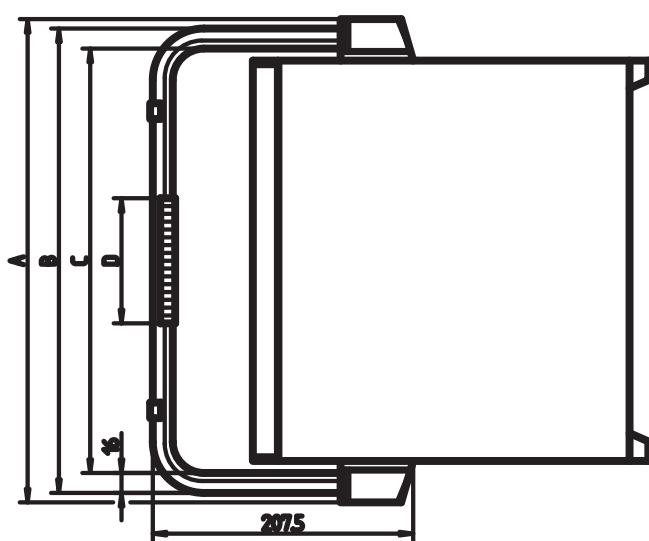
- Retrofittable without mechanical modifications to the case
- Adjustable in 30° increments
- Static load-carrying capacity 30 kg

#### Delivery comprises (kit)

| Item | Qty | Description   |
|------|-----|---|
| 1    | 1   | Carrying bar, Al extrusion, powder coated, RAL 9006 |
| 2    | 1   | Handle shell, ABS, UL 94 V-0, RAL 7016              |
| 3    | 2   | Tip-up protection, ABS, UL 94 V-0, RAL 7016         |
| 4    | 2   | Notch device, Al die-cast                           |
| 5    | 2   | Cover cap, ABS, UL 94 V-0, RAL 7016                 |

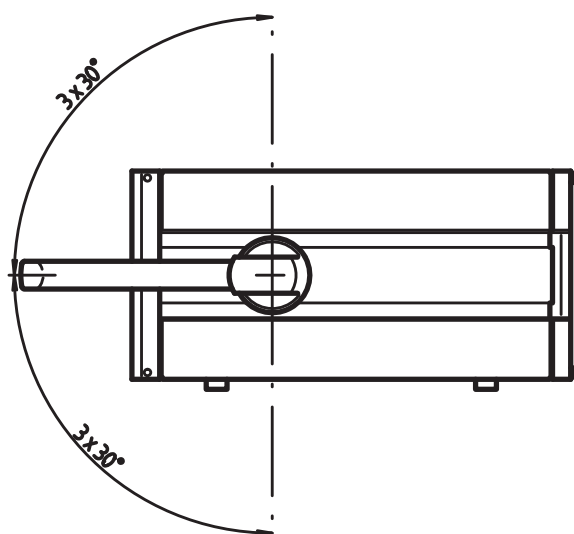
#### Order Information

| For case height | For case width | For case depth | Tip-up carrying handle | Assembly kit |
|-----------------|----------------|----------------|------------------------|--------------|
| U               | HP             | mm             | Part no.               | Part no.     |
| 3, 4-air        | 42             | 255            | 24571-320              | 24571-352    |
| 3, 4-air        | 42             | 315            | 24571-320              | 24571-353    |
| 3, 4-air        | 42             | 375            | 24571-320              | 24571-354    |
| 3, 4-air        | 42             | 435            | 24571-320              | 24571-355    |
| 3, 4-air        | 42             | 495            | 24571-320              | 24571-356    |
| 3, 4-air        | 63             | 255            | 24571-321              | 24571-352    |
| 3, 4-air        | 63             | 315            | 24571-321              | 24571-353    |
| 3, 4-air        | 63             | 375            | 24571-321              | 24571-354    |
| 3, 4-air        | 63             | 435            | 24571-321              | 24571-355    |
| 3, 4-air        | 63             | 495            | 24571-321              | 24571-356    |
| 3, 4-air        | 84             | 255            | 24571-322              | 24571-352    |
| 3, 4-air        | 84             | 315            | 24571-322              | 24571-353    |
| 3, 4-air        | 84             | 375            | 24571-322              | 24571-354    |
| 3, 4-air        | 84             | 435            | 24571-322              | 24571-355    |
| 3, 4-air        | 84             | 495            | 24571-322              | 24571-356    |
| 4, 5-air        | 42             | 255            | 24571-320              | 24571-359    |
| 4, 5-air        | 42             | 315            | 24571-320              | 24571-360    |
| 4, 5-air        | 42             | 375            | 24571-320              | 24571-361    |
| 4, 5-air        | 42             | 435            | 24571-320              | 24571-362    |
| 4, 5-air        | 42             | 495            | 24571-320              | 24571-363    |
| 4, 5-air        | 63             | 255            | 24571-321              | 24571-359    |
| 4, 5-air        | 63             | 315            | 24571-321              | 24571-360    |
| 4, 5-air        | 63             | 375            | 24571-321              | 24571-361    |
| 4, 5-air        | 63             | 435            | 24571-321              | 24571-362    |
| 4, 5-air        | 63             | 495            | 24571-321              | 24571-363    |
| 4, 5-air        | 84             | 255            | 24571-322              | 24571-359    |
| 4, 5-air        | 84             | 315            | 24571-322              | 24571-360    |
| 4, 5-air        | 84             | 375            | 24571-322              | 24571-361    |
| 4, 5-air        | 84             | 435            | 24571-322              | 24571-362    |
| 4, 5-air        | 84             | 495            | 24571-322              | 24571-363    |



RPA43897

| For case height    | For case width | A     | B     | C     | D   |
|--------------------|----------------|-------|-------|-------|-----|
| U                  | HP             | mm    | mm    | mm    | mm  |
| 3, 4, 4-air, 5-air | 42             | 283,4 | 279,4 | 247,4 | 115 |
| 3, 4, 4-air, 5-air | 63             | 390,1 | 386,1 | 354,1 | 195 |
| 3, 4, 4-air, 5-air | 84             | 496,8 | 492,8 | 460,8 | 195 |



rpa43898

#### Note

- Cannot be used in conjunction with front handles
- Assembly kit is required for tip-up carrying handle, please order separately

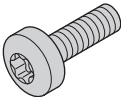


For further information [www.schroff.biz/oneclick](http://www.schroff.biz/oneclick)  
oneClick search code = Part no.

## Desk-top cases - *ratiopac PRO* / -air

### Torx panhead screws

#### Order Information

|   | Description                 | Application  | Material        | Dimension | Qty/PU | Part no.         |
|---|-----------------------------|--|-----------------|-----------|--------|------------------|
| <br><small>AZA45923</small> | Countersunk screw with Torx | For horizontal rail to side panel, with GND/earthing function          | St, zinc-plated | M4 x 14   | 100    | <b>24571-371</b> |
|   | Countersunk screw with Torx | For horizontal rail to side panel, if guide rail is bolted onto slot 1 | St, zinc-plated | M4 x 10   | 100    | <b>24571-372</b> |

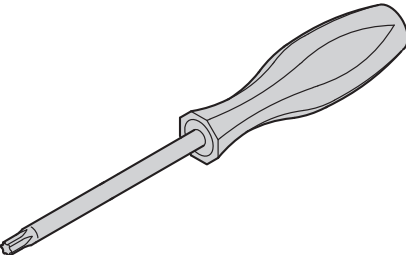
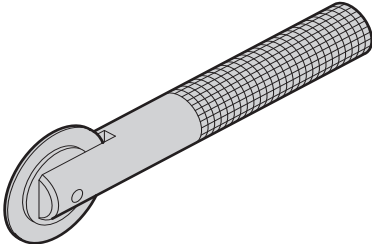
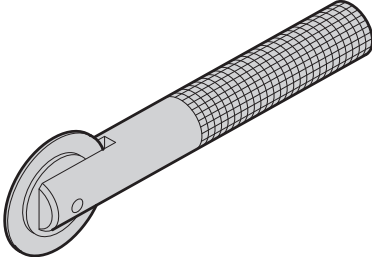
### Nut

#### Order Information

|   | Description | Application   | Material        | Dimension | Qty/PU | Part no.         |
|---|-------------|---|-----------------|-----------|--------|------------------|
| <br><small>AZA45921</small> | Square nut  | For fixing: parts to side panels, support profiles, mounting plates | St, zinc-plated | M4        | 100    | <b>24560-140</b> |

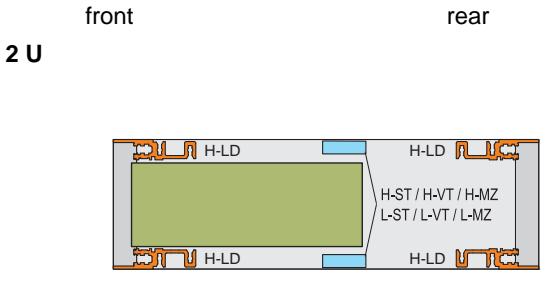
### Assembly tools

#### Order Information

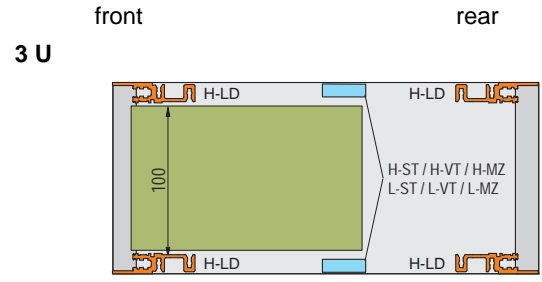
|   | Description                        | Application   | Dimension | Qty/PU | Part no.         |
|---|------------------------------------|---|-----------|--------|------------------|
| <br><small>AZA45925</small> | Torx screwdriver                   |   | T8        | 1      | <b>64560-026</b> |
|   |                                    |   | T20       | 1      | <b>64560-027</b> |
| <br><small>aza45938</small> | Assembly tool for horizontal rails | Exclusively to fix stainless steel EMC gaskets in horizontal rails                | –         | 1      | <b>24560-271</b> |
| <br><small>aza45937</small> | Assembly tool for front panels     | For mounting stainless steel EMC contact strips on front panels with lateral slot | –         | 1      | <b>24560-270</b> |

# Desk-top cases - *ratio*pac**PRO** / -air

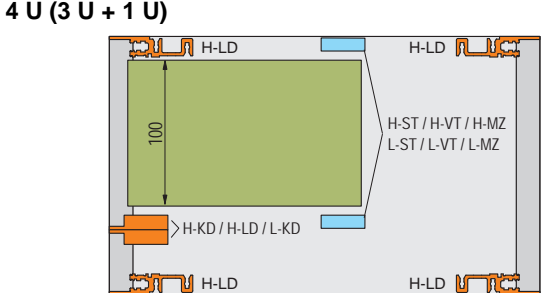
## Mounting position ratio*pac*PRO horizontal rails/central rails



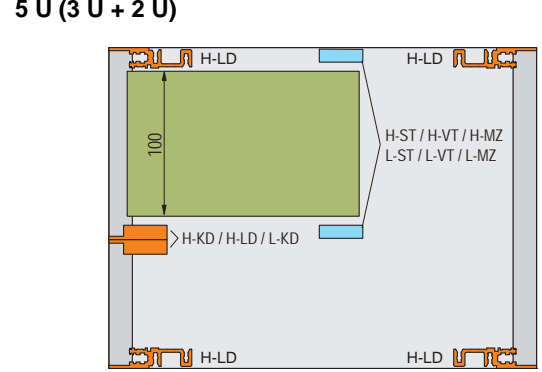
01805060



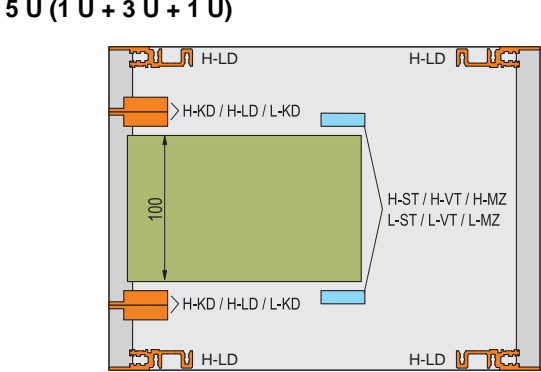
01802057



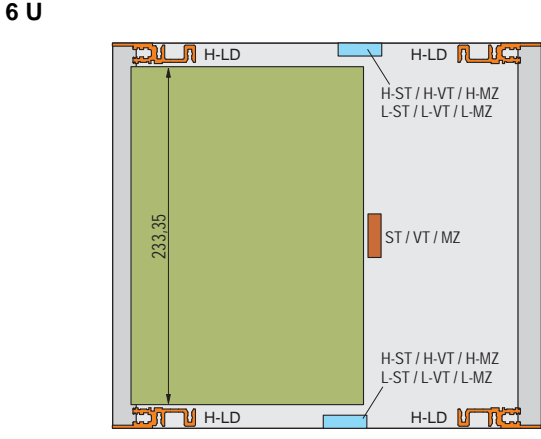
01802058



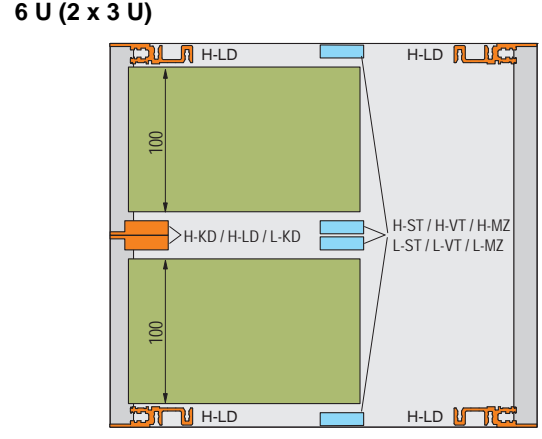
01805062



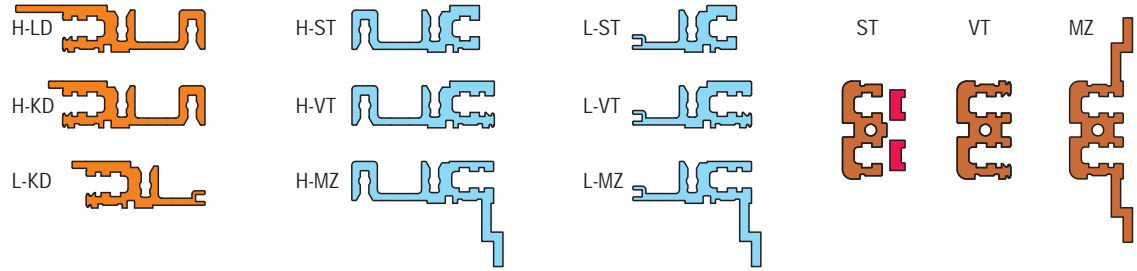
01805061



01802059



01802060



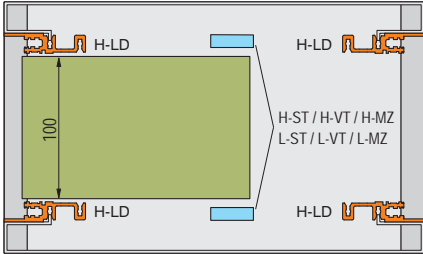
Horizontal rails can be bolted on in 15 mm depth grid

01808050

# Desk-top cases - *ratiopac* **PRO** / -air

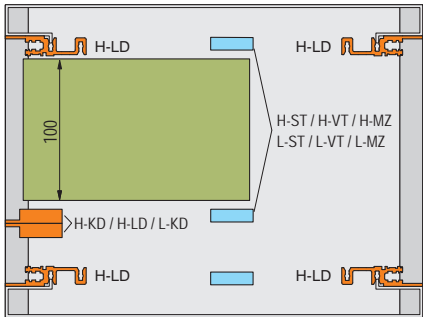
## Mounting position *ratiopac*PRO air horizontal rails/central rails

front rear  
4-air U (1/2 U + 3 U + 1/2 U)



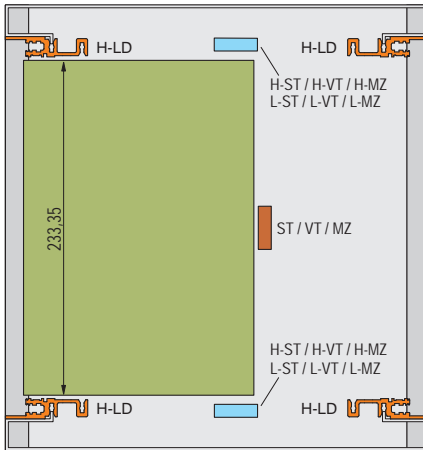
01802061

5-air U (1/2 U + 3 U + 1U +1/2 U)



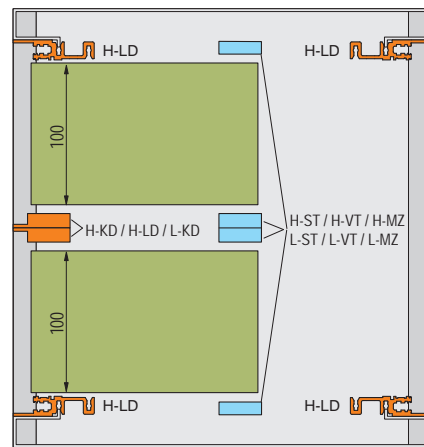
01802062

7-air U (1/2 U + 6 U + 1/2 U)

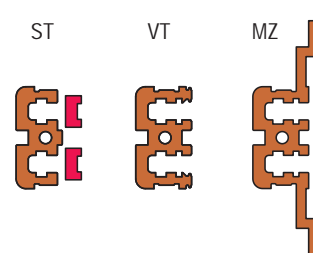
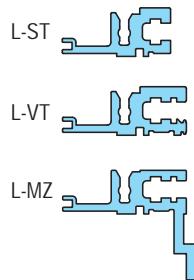
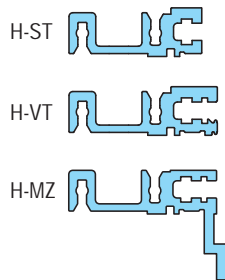
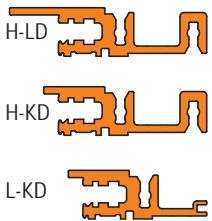


01802063

7-air U (1/2 U + 3 U + 3U 1/2 U)



01802064



Horizontal rails can be bolted on in 15 mm depth grid

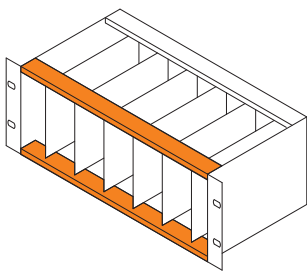


01808050



# Desk-top cases - *ratiopac PRO* / -air

## Front horizontal rails

### Order Information

|  <p>bza44980</p>   | <p><b>"heavy"</b><br/><b>Type H-KD</b><br/><b>short lip</b></p>  <p>06197008</p> <p>Al extrusion, anodised finish, contact surface conducting, with printed HP markings</p> | <p><b>With long lip for insertion/extraction of CompactPCI and VME64x boards</b></p> <p><b>"heavy"</b><br/><b>Type H-LD</b><br/><b>long lip</b></p>  <p>06197009</p> <p>Al extrusion, anodised finish, contact surface conducting, with printed HP markings</p> |    |        |    |        |    |        |    |        |  |           |           |           |           |           |           |           |           |
|---|--|--|----|--------|----|--------|----|--------|----|--------|--|-----------|-----------|-----------|-----------|-----------|-----------|-----------|-----------|
|   | <p><b>1 piece (SPQ 10)<sup>1)</sup></b></p>  | <p><b>1 piece (SPQ 10)<sup>1)</sup></b></p>  |    |        |    |        |    |        |    |        |  |           |           |           |           |           |           |           |           |
| <table border="1"> <thead> <tr> <th>Usable length HP</th> <th>Length mm</th> </tr> </thead> <tbody> <tr> <td>28</td> <td>147.32</td> </tr> <tr> <td>42</td> <td>218.44</td> </tr> <tr> <td>63</td> <td>325.12</td> </tr> <tr> <td>84</td> <td>431.80</td> </tr> </tbody> </table> | Usable length HP   | Length mm  | 28 | 147.32 | 42 | 218.44 | 63 | 325.12 | 84 | 431.80 | <table border="1"> <tbody> <tr> <td>34560-228</td> <td>34560-328</td> </tr> <tr> <td>34560-242</td> <td>34560-342</td> </tr> <tr> <td>34560-263</td> <td>34560-363</td> </tr> <tr> <td>34560-284</td> <td>34560-384</td> </tr> </tbody> </table> | 34560-228 | 34560-328 | 34560-242 | 34560-342 | 34560-263 | 34560-363 | 34560-284 | 34560-384 |
| Usable length HP  | Length mm  |  |    |        |    |        |    |        |    |        |  |           |           |           |           |           |           |           |           |
| 28  | 147.32   |  |    |        |    |        |    |        |    |        |  |           |           |           |           |           |           |           |           |
| 42  | 218.44   |  |    |        |    |        |    |        |    |        |  |           |           |           |           |           |           |           |           |
| 63  | 325.12   |  |    |        |    |        |    |        |    |        |  |           |           |           |           |           |           |           |           |
| 84  | 431.80   |  |    |        |    |        |    |        |    |        |  |           |           |           |           |           |           |           |           |
| 34560-228   | 34560-328  |  |    |        |    |        |    |        |    |        |  |           |           |           |           |           |           |           |           |
| 34560-242   | 34560-342  |  |    |        |    |        |    |        |    |        |  |           |           |           |           |           |           |           |           |
| 34560-263   | 34560-363  |  |    |        |    |        |    |        |    |        |  |           |           |           |           |           |           |           |           |
| 34560-284   | 34560-384  |  |    |        |    |        |    |        |    |        |  |           |           |           |           |           |           |           |           |
| <p>M4 × 10, St, zinc-plated, necessary if guide rail is screwed to slot 1, PU 100 pieces</p>  | <p>24571-372</p>   | <p>24571-372</p>   |    |        |    |        |    |        |    |        |  |           |           |           |           |           |           |           |           |
| <p>Threaded inserts see page</p>  | <p>5.35</p>  | <p>5.35</p>  |    |        |    |        |    |        |    |        |  |           |           |           |           |           |           |           |           |

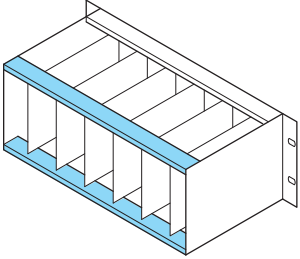






1) SPQ (standard pack quantity): Order number includes 1 piece, but delivery is exclusively made in standard pack quantity (SPQ); please order at least the SPQ quantity or a multiple thereof

"light": loading capacity up to approx. 7.5 kg; "heavy": loading capacity > 7.5 kg

# Desk-top cases - *ratiopac PRO* / -air

## Rear horizontal rails

### Order Information

|  |   |   |  |   |
|--|---|---|--|---|
|  <p>06105074</p> | <p><b>For indirect backplane fixing with insulation strip</b></p>  <p>04400001</p> <p><b>"heavy" Type H-ST standard</b></p>  <p>06197011</p> <p>Al extrusion, anodised finish, contact surface conducting, with printed HP markings</p> | <p><b>For direct backplane fixing</b></p>  <p>04400002</p> <p><b>"heavy" Type H-VT long lip</b></p>  <p>06197013</p> <p>Al extrusion, anodised finish, contact surface conducting, with printed HP markings</p> | <p><b>For direct fixing of connectors to EN 60603-2 (DIN 41612)</b></p>  <p>04400003</p> <p><b>"heavy" Type H-MZ with Z-rail</b></p>  <p>06197015</p> <p>Al extrusion, anodised finish, contact surface conducting, with printed HP markings</p> |   |
|  | <p><b>Usable length HP</b></p> <p><b>Length mm</b></p>  | <p><b>1 piece (SPQ 10)<sup>1)</sup></b></p>   | <p><b>1 piece (SPQ 10)<sup>1)</sup></b></p>  | <p><b>1 piece (SPQ 10)<sup>1)</sup></b></p> |
| 28   | 147.32  | 34560-528   | 34560-728  | 34560-928                                   |
| 42   | 218.44  | 34560-542   | 34560-742  | 34560-942                                   |
| 63   | 325.12  | 34560-563   | 34560-763  | 34560-963                                   |
| 84   | 431.80  | 34560-584   | 34560-784  | 34560-984                                   |
| Torx panhead screw, 4 x 10   |   | 24571-372   | 24571-372  | 24571-372                                   |
| Perforated rail for connector mounting with insulation strip see page                            |   | 5.35  | –  | –   |
| Z-rail for connector mounting without insulation strip see page                                  |   | 5.35  | –  | –   |
| Insulation strips see page   |   | 5.35  | –  | –   |
| Threaded inserts see page  |   | 5.35  | 5.35   | 5.35  |




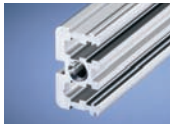


1) SPQ (standard pack quantity): Order number includes 1 piece, but delivery is exclusively made in standard pack quantity (SPQ); please order at least the SPQ quantity or a multiple thereof

"light": loading capacity up to approx. 7.5 kg; "heavy": loading capacity > 7.5 kg

# Desk-top cases - *ratiopac PRO* / -air

## Horizontal rails rear, centre

### Order Information

|                            |                  | For indirect mounting of backplanes via insulation strip  | For direct backplane mounting   | For direct fixing of connectors to EN 60603-2 (DIN 41612)   |
|----------------------------|------------------|---|---|---|
|                            |                  |  <p>0440001</p> <p><b>Type ST</b></p>  <p>06197016</p> <p>Al extrusion, finish anodised, conductive contact surface; horizontal rail type AB (AB = support) is required to fix the 80 mm rear I/O boards; without marking</p> <p><b>1 piece (SPQ 10)<sup>1)</sup></b></p> |  <p>0440002</p> <p><b>Type VT</b></p>  <p>06197017</p> <p>Al extrusion, finish anodised, conductive contact surface; horizontal rail type AB (AB = support) is required to fix the 80 mm rear I/O boards; without marking</p> <p><b>1 piece (SPQ 10)<sup>1)</sup></b></p> |  <p>0440003</p> <p><b>Type MZ</b></p>  <p>06197018</p> <p>Al extrusion, finish anodised, conductive contact surface; horizontal rail type AB (AB = support) is required to fix the 80 mm rear I/O boards; without marking</p> <p><b>1 piece (SPQ 10)<sup>1)</sup></b></p> |
| <b>Usable length HP</b>    | <b>Length mm</b> |   |   |   |
| 28                         | 147.32           | 34561-028   | 34561-128   | 34561-228   |
| 42                         | 218.44           | 34561-042   | 34561-142   | 34561-242   |
| 63                         | 325.12           | 34561-063   | 34561-163   | 34561-263   |
| 84                         | 431.80           | 34561-084   | 34561-184   | 34561-284   |
| Torx panhead screw, 4 x 10 |                  | 24571-372   | 24571-372   | 24571-372   |
| Insulation strips see page |                  | 5.35  | —   | —   |
| Threaded inserts see page  |                  | 5.35  | 5.35  | 5.35  |

1) SPQ (standard pack quantity): Order number includes 1 piece, but delivery is exclusively made in standard pack quantity (SPQ); please order at least the SPQ quantity or a multiple thereof

# Desk-top cases - *ratiopac* **PRO** / -air

## Horizontal rails (type AB) for rear I/O guide rails

### Order Information

|  |               |  |
|--|---------------|--|
| <p>06108069</p>  |               | <p><b>For CompactPCI in rear I/O area</b></p> <p>06108009</p> <p><b>Type AB</b></p> <p>06197009</p> <p>Al extrusion, finish anodised,<br/>conductive contact surface;<br/>horizontal rail type AB (AB = support)<br/>is required to fix the 80 mm rear I/O boards;<br/>without marking</p> |
| <b>Usable length</b>   | <b>Length</b> | <b>1 piece (SPQ 10)<sup>1)</sup></b>   |
| <b>HP</b>  | <b>mm</b>     |  |
| 20   | 106.68        | 34561-520  |
| 28   | 147.32        | 34561-528  |
| 40   | 208.28        | 34561-540  |
| 42   | 218.44        | 34561-542  |
| 63   | 325.12        | 34561-563  |
| 84   | 431.80        | 34561-584  |
| –  | 1000          | 34561-501  |
| Screw, M4 x 14, PU 100 pieces, for fastening horizontal rail to side panel |               | 24560-130  |

1) SPQ (standard pack quantity): Order number includes 1 piece, but delivery is exclusively made in standard pack quantity (SPQ); please order at least the SPQ quantity or a multiple thereof

"light": loading capacity up to approx. 7.5 kg; "heavy": loading capacity > 7.5 kg

### Note

- All horizontal rails without print
- 1000 mm version without M4 thread in end

# Desk-top cases - *ratio*pac **PRO** / -air

## Threaded inserts, perforated strips, insulation strips

| Usable length<br>HP | Threaded insert |                                   |                                   | Perforated strip<br>(item 1) |                                | Insulation strip |                            |
|---------------------|-----------------|-----------------------------------|-----------------------------------|------------------------------|--------------------------------|------------------|----------------------------|
|                     | Length<br>mm    | 1 piece<br>(SPQ 10) <sup>1)</sup> | 1 piece<br>(SPQ 10) <sup>1)</sup> | Length<br>mm                 | 1 piece (SPQ 10) <sup>1)</sup> | Length<br>mm     | PU 10 pieces <sup>2)</sup> |
| 28                  | 146.82          | 34561-328                         | –                                 | 147.12                       | 30845-197                      | 144.20           | 24560-828                  |
| 42                  | 217.94          | 34561-342                         | –                                 | 218.24                       | 30845-211                      | 210.40           | 24560-842                  |
| 63                  | 324.62          | 34561-363                         | –                                 | 324.92                       | 30845-232                      | 316.88           | 24560-863                  |
| 84                  | 431.30          | 34561-384                         | 34561-484                         | 431.60                       | 30845-253                      | 428.64           | 24560-884                  |

### Accessories

|                                       |           |           |   |           |   |   |
|---------------------------------------|-----------|-----------|---|-----------|---|---|
| Grub screw M2.5 x 8, PU<br>100 pieces | 21100-276 | –         | – | –         | – | – |
| Grub screw M2.5 x 9, PU<br>100 pieces | –         | –         | – | 21101-359 | – | – |
| Grub screw M3 x 8, PU<br>100 pieces   | –         | 21100-646 | – | –         | – | – |

1) SPQ (standard pack quantity): Order number includes 1 piece, but delivery is exclusively made in standard pack quantity (SPQ); please order at least the SPQ quantity or a multiple thereof

2) Part no. includes one packing unit (PU); delivery is exclusively made in PU

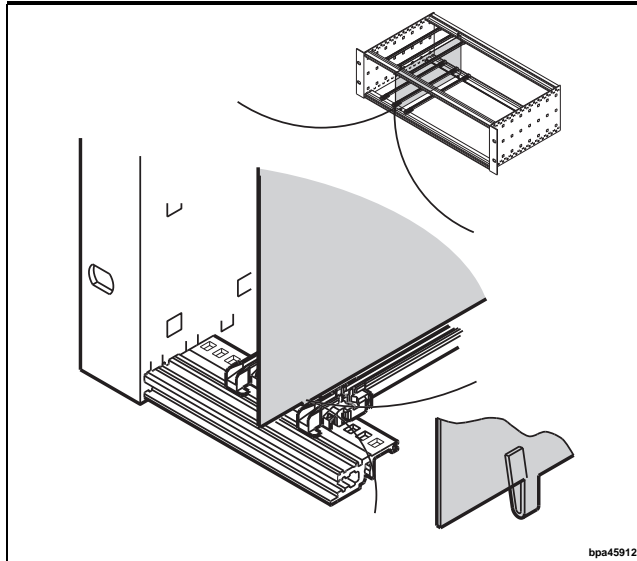
## Z-rails, perforated rails

| Usable length<br>HP   | Length<br>mm | Z-rail for connectors<br>DIN EN 60603-2, DIN 41612<br>item 1 |         | 31-pin, DIN 41617 |         | Perforated rail<br>EN 606032, DIN 41612<br>item 1 |  |
|---|--------------|--|---------|-------------------|---------|---|--|
|   |              | 1 piece  | 1 piece | 1 piece           | 1 piece | PU 4 pieces                                       |  |
| 28  | 142.24       | 30822-033  | –       | –                 | –       | 20822-049   |  |
| 42  | 213.36       | 30822-047  | –       | –                 | –       | 20822-050   |  |
| 60  | 304.80       | 30822-065  | –       | 30819-783         | –       | 20822-047   |  |
| 84  | 426.70       | 30822-089  | –       | 30819-808         | –       | 20822-048   |  |
| Torx panhead screw, to fix connector to<br>perforated rail,, M2.5 x 7, PU 100 pieces/Item 3       |              | 24560-147  | –       | 24560-147         | –       | 24560-147   |  |
| Torx panhead screw, to fix perforated rail to<br>horizontal rail, M2.5 x 10, PU 100 pieces Item 2 |              | 24560-148  | –       | 24560-148         | –       | 24560-148   |  |

# Desk-top cases - *ratiopac* **PRO** / -air

## Divider plates

### Order Information



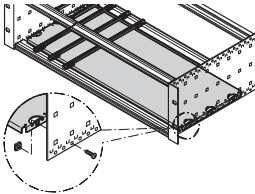
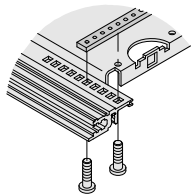
| Height<br>U | Depth<br>mm | A<br>mm | B<br>mm | H<br>mm |
|-------------|-------------|---------|---------|---------|
| 3           | 160         | 158.3   | 135.0   | 113.5   |
| 3           | 220         | 218.3   | 195.0   | 113.5   |
| 6           | 160         | 158.3   | 135.0   | 246.9   |
| 6           | 220         | 218.3   | 195.0   | 246.9   |

| Divider plates   |  |
|--|--|
| Mounting position for stainless steel EMC gasket   | Mounting position for textile EMC gasket |
|  |  |
| <p>Stainless steel, 1 mm, is mounted by clipping onto horizontal rail, space requirement on component side 2 mm; mounting direction varies with shielding design (EMC stainless steel or textile gasket); retrofitting the divider plate in an already-assembled subrack/case will first require dismantling of the horizontal rails; where front panels are unshielded, both mounting directions are possible</p> |  |
| <b>1 piece</b>   |  |
|  | 34562-761                                |
|  | 34562-762                                |
|  | 34562-763                                |
|  | 34562-764                                |

# Desk-top cases - *ratiopac PRO* / -air

## Mounting plates

### Order Information

|   |             |                     | Mounting plate  | Assembly strip for partial widths   |
|---|-------------|---------------------|---|---|
|   |             |                     | <br>bpa45875 | <br>bpa46557        |
| 06812002  |             |                     | Al, 1.5 mm; for mounting over partial width, please order assembly strips separately          | St, 2 mm, zinc-plated; is bolted from front to rear onto the horizontal rails; to fix mounting plates |
| HP  | Width<br>mm | Board lengths<br>mm | 1 piece   | 1 piece   |
| 28  | 146.88      | 160                 | 34562-745   | 30840-021   |
| 28  | 146.88      | 220                 | 34562-749   | 30840-033   |
| 28  | 146.88      | 280                 | 34562-753   | 30840-045   |
| 28  | 146.88      | 340                 | 34562-757   | 30840-057   |
| 42  | 217.99      | 160                 | 34562-746   | 30840-021   |
| 42  | 217.99      | 220                 | 34562-750   | 30840-033   |
| 42  | 217.99      | 280                 | 34562-754   | 30840-045   |
| 42  | 217.99      | 340                 | 34562-758   | 30840-057   |
| 63  | 324.67      | 160                 | 34562-747   | 30840-021   |
| 63  | 324.67      | 220                 | 34562-751   | 30840-033   |
| 63  | 324.67      | 280                 | 34562-755   | 30840-045   |
| 63  | 324.67      | 340                 | 34562-759   | 30840-057   |
| 84  | 431.35      | 160                 | 34562-748   | 30840-021   |
| 84  | 431.35      | 220                 | 34562-752   | 30840-033   |
| 84  | 431.35      | 280                 | 34562-756   | 30840-045   |
| 84  | 431.35      | 340                 | 34562-760   | 30840-057   |
| <b>Assembly kit for mounting plate</b><br>PU 1 kit (Torx countersunk screw M4 x 5, St, zinc-plated, 12 pieces; screw M4 x 6, St, zinc-plated, 10 pieces; M4 square nut, St, zinc-plated, 10 pieces) |             |                     | 24560-184   | -   |
| <b>Assembly kit for assembly strips of mounting plate</b><br>Torx screw<br>M2.5 x 5, St, zinc-plated, PU 100 pieces   |             |                     | -   | 24560-146   |

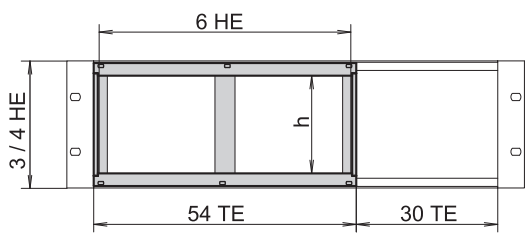


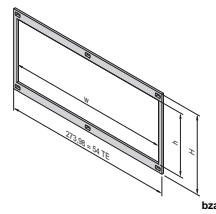

### Note

- Please order fixing material for assembly of mounting plate separately
- A guide rail can be mounted on the first and last slot position
- 4.4" and "reinforced" guide rails cannot be used

# Desk-top cases - *ratiopac* **PRO** / -air

## Horizontal board installation

### Order Information

|    |                    |   | Horizontal board installation   |   |                         |
|--|--------------------|---|---|---|-------------------------|
|  |                    |   | Board cage  | Front frame for EMC shielding   | Front frame, unshielded |
| <p>Struts die-cast zinc; horizontal rails front and rear; threaded insert, St, zinc-plated; fixing material kit; for horizontal mounting of double-height euroboards in 3 or 4 U high subracks/cases; 54 TE space required; <b>please order front frame for EMC shielding separately</b></p> |                    |   | <p>2 horizontal covers, Al, 2.5 mm, front anodised, rear iridescent green chromated; 2 vertical trims, Al extrusion, clear passivated; stainless steel EMC gasket; front frame forms the contact between subrack and the sub-assemblies</p> | <p>Al, 2.5 mm, clear anodised; front frame with cut-out, clear internal width w = 266.35 mm</p> |                         |
| Height U   | Usable height h HP | Other dimensions and options<br>Horizontal rail, front<br>Horizontal rail, rear     | PU 1 kit  | PU 1 kit  | 1 piece                 |
| 3  | 20                 |  | 24564-117   | 24564-109   | 34564-108               |
| 3  | 20                 |  | 24564-118   | 24564-109   | 34564-109               |
| 4  | 28                 |  | 24564-217   | 24564-209   | 34564-208               |
| <p>Assembly tool, for mounting the EMC gasket (stainless steel)</p>   |                    |   | -   | 24560-270   | -                       |

\* For direct backplane mounting

### Note

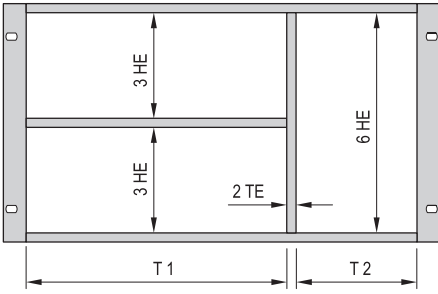
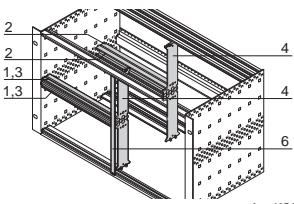
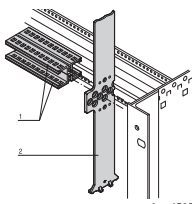
- Please order front frame separately



# Desk-top cases - *ratio*pac **PRO** / -air

Combined mountings (6 U and 2 x 3 U one above the other)

## Order Information

|                           | <b>Combined mounting</b><br><b>Horizontal and vertical subdivision</b><br><b>(incl. front panel for stainless steel EMC gasket)</b>   | <b>Alternative front panels for combined mounting</b>       |   | <b>Splitting extrusion</b><br><b>For combined mounting</b><br><b>Item 2</b>   |
|--|---|---|---|---|
|  |    | <b>Unshielded front panel, 6 U, 2 HP</b><br><b>item 6</b>   | <b>Front panel for textile EMC gasket, 6 U, 2 HP</b><br><b>item 6</b> |    |
| <b>Width pitch T1:T2</b><br><b>HP</b>  | Item 1: 2 front horizontal rails (H-KD), Al extrusion, anodised;<br>item 2: 2 rear horizontal rails (AB), Al extrusion, anodised;<br>item 3: threaded insert, St, zinc-plated;<br>item 4: Zn die-cast support member;<br>item 6: front panel 2 HP, 6 U, shielded; with EMC stainless steel gasket (84:0 without items 4, 6) | Al, 2.5 mm, front anodised, rear iridescent green chromated | Al, 2.5 mm, U-profile with notch, 6 U, 2 HP                           | 6 U, die-cast zinc; splitting extrusion is inserted in the grid holes of the horizontal rail; the splitting extrusion can be bolted |
|  | <b>PU 1 kit</b>   | <b>1 (SPQ 5)</b>  | <b>1 piece (SPQ 5)<sup>1)</sup></b>                                   | <b>1 piece</b>  |
| 20:62  | 24562-420   |   |   |   |
| 40:42  | 24562-440   |   |   |   |
| 42:40  | 24562-442   | 30847-472   | 30849-140   | 64560-010   |
| 63:19  | 24562-463   |   |   |   |
| 84:0   | 24562-484   |   |   |   |
| Countersunk screw with Torx M4 x 14, zinc-plated, PU 100 pieces fixing splitting extrusion/horizontal rail | –   | –   | –   | 24560-145   |
| Panhead screw M2.5 x 10, St, zinc-plated, PU 100 pieces fixing horizontal rail/splitting extrusion         | –   | –   | –   | 24560-179   |
| Pozidrive/slotted collar screw M2.5 x 12.3, St, nickel-plated, PU 100 pieces                               | –   | 21101-101   | 21101-101   | –   |
| Pozidrive/slotted collar screw M2.5, black, zinc-plated, PU 100 pieces                                     | –   | 21101-102   | 21101-102   | –   |
| Washer, 2.7 x 5 x 1, plastic PA 6, PU 100 pieces   | –   | 21101-121   | 21101-121   | –   |
| Textile gasket, core: foam, sleeve: textile cladding with CuNi coating, UL 94 V-0, PU 10 pieces            | –   | –   | 21101-855   | –   |

1) SPQ (standard pack quantity): Order number includes 1 piece, but delivery is exclusively made in standard pack quantity (SPQ); please order at least the SPQ quantity or a multiple thereof

■ Subdivision of the 6 U assembly area into:

- 2 x 3 U
- 1 x 6 U

■ Designed to accept Euroboards (100 mm high) and double Euroboards (233.35 mm high)


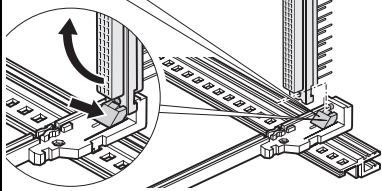
**Note**

- Please order EMC gasketing kit for horizontal rails separately, see page 5.19
- Please order perforated strips for horizontal rails separately, see page 5.35
- Please order rear centre horizontal rail separately, see page 5.33

# Desk-top cases - *ratiopac* **PRO** / -air

Guide rails for plug-in units and modules, one-piece, groove width 2 mm and 2.5 mm

## Order Information

|  |                     |               | For plug-in units and frame type plug-in units  |                                       |   |  |
|--|---------------------|---------------|---|---------------------------------------|---|--|
|  |                     |               | Standard  | With DIN connector fixing as standard |   |  |
| <b>Assembly</b><br>- can be clipped into Al extruded horizontal rails<br>- can be clipped into 1.5 mm thick plates<br><br><b>Storage temperature</b><br>from -40 °C ... 130 °C |                     |               |  <p>Up to 220 mm length, PBT, UL 94 V-0; from 280 mm length, multi-piece, end piece PBT, UL 94 V-0, central section Al extrusion</p> |                                       |  <p>PBT, UL 94 V-0, red, connector is clipped directly onto the guide rails; for euroboards 100 x 160 mm or 100 x 220 mm only</p> |  |
| <b>Board lengths</b>   | <b>Groove width</b> | <b>Colour</b> | <b>PU 10 pieces<sup>2)</sup></b>  | <b>1 pair (SPQ 10)<sup>1)</sup></b>   |   |  |
| 70   | 2                   | red           | –   | –                                     |   |  |
| 70   | 2                   | grey          | –   | –                                     |   |  |
| 160  | 2                   | red           | 24560-351   | 64560-074                             |   |  |
| 220  | 2                   | red           | 24560-353   | 64560-075                             |   |  |
| 280  | 2                   | red           | 24560-379   | –                                     |   |  |
| 340  | 2                   | red           | 24560-380   | –                                     |   |  |
| 160  | 2.5                 | red           | –   | –                                     |   |  |
| 220  | 2.5                 | red           | –   | –                                     |   |  |

## Accessories

|                                |   |           |
|--------------------------------|---|-----------|
| Retention screw, PU 100 pieces |  | 24560-141 |
| ESD clip, PU 50 pieces         |  | 24560-255 |

1) SPQ (standard pack quantity): Order number includes 1 piece, but delivery is exclusively made in standard pack quantity (SPQ); please order at least the SPQ quantity or a multiple thereof

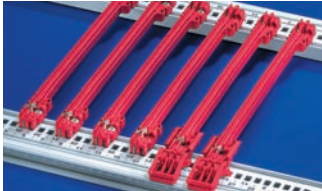
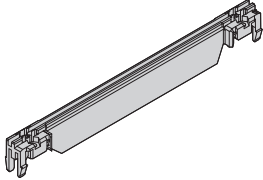
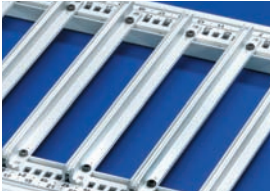
2) Part no. includes one packing unit (PU); delivery is exclusively made in PU

Description of accessories see from page 6.41

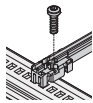
## Desk-top cases - *ratio*pac **PRO** / -air

Guide rails type "accessories", one-piece,  
groove width 2 mm and 2.5 mm

### Order Information

| <b>Assembly</b><br>- can be clipped into horizontal rails in Al extrusion<br>- can be clipped into 1.5 mm thick plate<br><br><b>Storage temperature</b><br>from -40 °C ... +130 °C |                     |               | <b>"Accessories"</b>   | <b>Guide rail type<br/>"Accessories" strengthened</b>   | <b>For heavy modules,<br/>Al extrusion, silver,<br/>robust version</b>   |
|--|---------------------|---------------|--|---|--|
|  |                     |               | <br><small>06102002</small><br>Up to 220 mm length, PBT, UL 94 V-0;<br>> 280 mm length, multi-piece,<br>end piece PBT, UL 94V-0,<br>middle section Al extrusion | <br><small>bz246554</small><br>PBT UL 94V-0, red;<br>support beam of guide rails<br>adds to strengthening | <br><small>06102005</small><br>Al extrusion; is screwed to horizontal rail<br>"heavy" with retention screws |
| <b>Board lengths</b>   | <b>Groove width</b> | <b>Colour</b> | <b>PU 10 pieces<sup>2)</sup></b>   | <b>1 piece (SPQ 50)<sup>1)</sup></b>  | <b>1 piece (SPQ 10)<sup>1)</sup></b>   |
| 100  | 2                   | red           | -  | -   | -  |
| 160  | 2                   | red           | 24560-373  | 64560-076   | -  |
| 160  | 2                   | grey          | -  | -   | 34562-881  |
| 220  | 2                   | red           | 24560-374  | 64560-078   | -  |
| 220  | 2                   | grey          | -  | -   | 34562-882  |
| 280  | 2                   | red/silver    | 24560-375  | 64560-080   | 34562-883  |
| 340  | 2                   | red/silver    | 24560-376  | -   | 34562-884  |
| 400  | 2                   | red/silver    | -  | -   | 34562-885  |
| 160  | 2.5                 | silver        | -  | -   | 34564-881  |
| 220  | 2.5                 | silver        | -  | -   | 34564-882  |
| 280  | 2.5                 | silver        | -  | -   | 34564-883  |
| 340  | 2.5                 | silver        | -  | -   | 34564-884  |
| 400  | 2.5                 | silver        | -  | -   | 34564-885  |

### Accessories

|  |           |           |           |
|--|-----------|-----------|-----------|
| Retention screw, PU 100 pieces  | 24560-141 | 24560-141 | 24560-157 |
| ESD clip, PU 50 pieces   | 24560-255 |           | -         |
| Board locking, red, PU 10 pieces   | 24560-377 |           | -         |
| Board handle, red, PU 10 piecesdescription   | 24560-378 |           | -         |
| Identification strips for board handle, red, PU 1 sheet = 438 pieces   | 60817-228 |           | -         |
| Coding see page  | 6.41      |           | -         |

1) SPQ (standard pack quantity): Order number includes 1 piece, but delivery is exclusively made in standard pack quantity (SPQ); please order at least the SPQ quantity or a multiple thereof

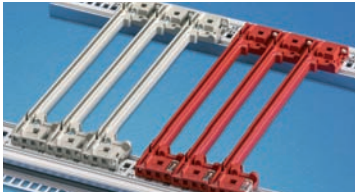
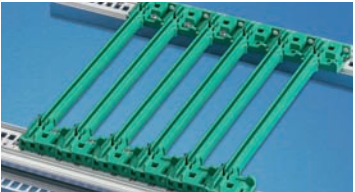
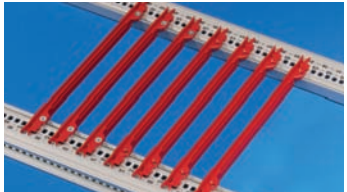
2) Part no. includes one packing unit (PU); delivery is exclusively made in PU

**Description of accessories see from page 6.41**

## Desk-top cases - *ratiopac* **PRO** / -air

Guide rails for CompactPCI, VME64x with coding,  
4.4" PCBs, groove width 2 mm and 2.5 mm

### Order Information

| Assembly<br>- can be clipped into Al extruded horizontal rails<br>- can be clipped into 1.5 mm thick plates<br><br>Storage temperature<br>from -40 °C ... 130 °C |                    |              | For CompactPCI, VME64x with coding<br>In accordance with IEEE 1101.10 and IEC 60297-3-103   | Offset 0.1" for power supply units in accordance with IEEE 1101.10 and IEC 60297-3-103                          | For 4.4" PCBs  |
|--|--------------------|--------------|---|---|--|
|  |                    |              | <br><small>06106001</small>                              | <br><small>06106002</small>   | <br><small>06104009</small> |
| Board lengths<br>mm  | Groove width<br>mm | Colour<br>mm | One-piece for groove width 2 mm, PBT, UL 94 V-0;<br>multi-piece at groove width 2,5 mm, end-piece PBT, UL 94 V-0, center piece Al profile | PBT, UL 94 V-0,<br>for installation of power supplies in CompactPCI systems or plug-in units with SMD placement | One-piece, PBT, UL 94 V-0;<br>for 4.4" PCBs or drive units   |
|  |                    |              | <b>PU 10 pieces<sup>2)</sup></b>  | <b>PU 10 pieces<sup>2)</sup></b>  | <b>PU 10 pieces</b>  |
| 70   | 2                  | red          | 24560-355   | -   | -  |
| 70   | 2                  | grey         | 24560-360   | -   | -  |
| 160  | 2                  | red          | 24560-356   | -   | 24560-361  |
| 160  | 2                  | grey         | 24560-358   | -   | -  |
| 160  | 2                  | green        | -   | 24560-359   | -  |
| 220  | 2                  | red          | -   | -   | 24560-362  |
| 220  | 2                  | grey         | -   | -   | -  |
| 220  | 2                  | green        | -   | -   | -  |
| 160  | 2.5                | red          | -   | -   | -  |
| 220  | 2.5                | red          | 24561-330   | -   | -  |
| 220  | 2.5                | grey         | 24561-340   | -   | -  |
| 280  | 2.5                | red          | 24561-331   | -   | -  |
| 280  | 2.5                | grey         | 24561-341   | -   | -  |
| 340  | 2.5                | red          | 24561-332   | -   | -  |
| 340  | 2.5                | grey         | 24561-342   | -   | -  |

### Accessories

|  |           |           |           |
|--|-----------|-----------|-----------|
| ESD clip, PU 50 pieces                     | 24560-255 | -         | -         |
| ESD clips, for alignment pin, PU 50 pieces | 24560-256 | 24560-256 | -         |
| Retention screw, PU 100 pieces             | 24560-141 | 24560-141 | 24560-158 |
| Coding peg, PU 100 pieces                  | 20817-501 | 20817-501 | -         |

1) SPQ (standard pack quantity): Order number includes 1 piece, but delivery is exclusively made in standard pack quantity (SPQ); please order at least the SPQ quantity or a multiple thereof

2) Part no. includes one packing unit (PU); delivery is exclusively made in PU

Description of accessories see from page 6.41

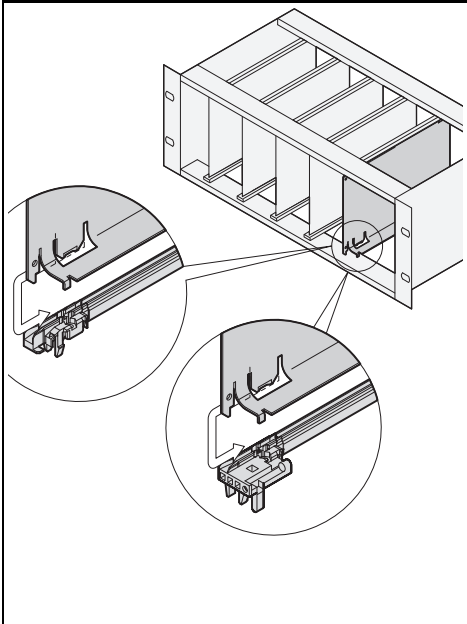
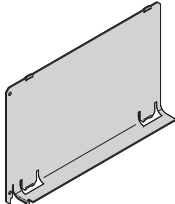
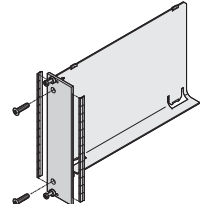
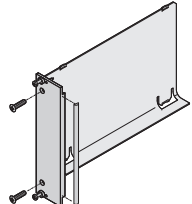
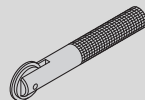
### Note

- Reinforcement for plastic profiles (PVC) > 280 mm depth available on request

# Desk-top cases - *ratiopac PRO* / -air

## Air baffle for slots

### Order Information

|    |             |   | Air baffle<br>without front panel  | Air baffle with front panel  |   |
|---|-------------|---|--|--|---|
|   |             |   |  | front panel with lateral<br>groove for stainless steel<br>EMC gasket   | U front panel<br>for textile EMC gasket |
|   |             |  <p>Al, 1 mm, incl. assembly kit;<br/>prevents an air short circuit in<br/>unoccupied slot positions;<br/>is pushed into the groove<br/>of the guide rails</p> |  <p>Air baffle, Al, 1 mm;<br/>front panel, Al, 2.5 mm,<br/>front anodised, rear conductive;<br/>EMC gasket (stainless steel);<br/>fixing material kit prevents an air<br/>short-circuit where slots are<br/>unoccupied;<br/>is pushed into the groove<br/>of the guide rails</p> |  <p>Air deflector, Al, 1 mm,<br/>front panel, Al extrusion, 2.5 mm,<br/>front anodised, rear conductive;<br/>EMC gasket (textile);<br/>fixing material kit prevents an air<br/>short-circuit where slots are<br/>unoccupied;<br/>is pushed into the groove<br/>of the guide rails</p> |   |
| Depth<br>mm   | Width<br>HP | Height<br>U   | 1 piece  | 1 piece  | 1 piece                                 |
| 160   | 4           | 3   | <b>34562-823</b>   | 20848-712  | 20848-728                               |
| 160   | 4           | 6   | <b>34562-826</b>   | 20848-720  | 20848-736                               |
| 160   | 8           | 3   | <b>34562-833</b>   | 20848-714  | 20848-730                               |
| 160   | 8           | 6   | <b>34562-836</b>   | 20848-722  | 20848-738                               |
| 160   | 12          | 3   | <b>34562-843</b>   | 20848-716  | 20848-732                               |
| 160   | 12          | 6   | <b>34562-846</b>   | 20848-724  | 20848-740                               |
| 220   | 4           | 3   | <b>34562-824</b>   | 20848-713  | 20848-729                               |
| 220   | 4           | 6   | <b>34562-827</b>   | 20848-721  | 20848-736                               |
| 220   | 8           | 3   | <b>34562-834</b>   | 20848-715  | 20848-731                               |
| 220   | 8           | 6   | <b>34562-837</b>   | 20848-723  | 20848-739                               |
| 220   | 12          | 3   | <b>34562-844</b>   | 20848-717  | 20848-733                               |
| 220   | 12          | 6   | <b>34562-847</b>   | 20848-725  | 20848-741                               |
| Assembly tool<br>for EMC gasket (stainless steel),<br>1 piece  |             |   | -  | 24560-270  | -                                       |

### Note

- Air baffle for 280 mm deep and for 80 mm rear I/O boards available on request

Overview ..... 0

Cabinets ..... 1

Wall mounted cases ..... 2

Accessories for cabinets and wall mounted cases 3

Climate control 4

**Desk-top cases 5**

Subracks/ 19" chassis ... 6

Front panels, plug-in units .. 7

Systems ..... 8

Power supply units ..... 9

Backplanes .. 10

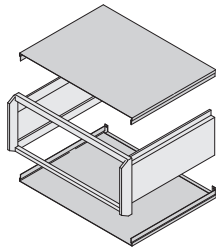
Connectors, front panel component system ..... 11

Appendix .... 12

## Desk-top cases - *propac*PRO

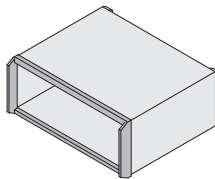


05809001



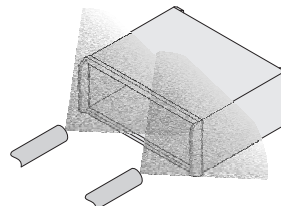
05806052

Easy access provided by removable cladding parts



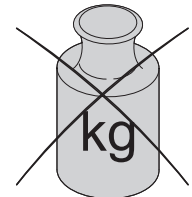
05806050

Extremely robust one-piece die-cast frame



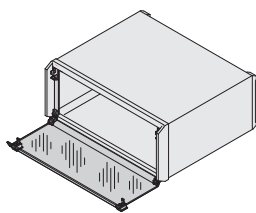
05806055

Non-sensitive, scratch-resistant finish through powder coating



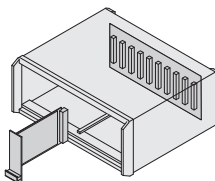
05806056

Low weight



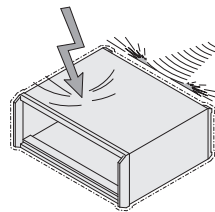
05806054

Wide accessory programme with acrylic glass front hoods, carrying handles, ...



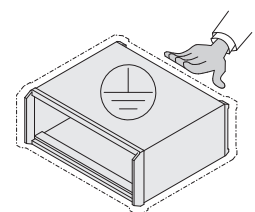
05806053

Assembly possibility for euroboards and backplanes



05806051

EMC version



noa44075

VDE-compliant GND/earthing

### Standards

- Internal dimensions in accordance with IEC 60297-3-101
- Ingress protection IP 20 in accordance with IEC 60529
- EMC test in accordance with VG 95373 part 15
- Protective GND/earth connections in accordance with:
  - DIN EN 50178 / VDE 0160
  - DIN EN 60950 / VDE 0805
  - DIN EN 61010-1 / VDE 0411 part 1
  - DIN EN 61010-1A2 / VDE 0411 part 1/A1



Downloads and further important information can be found on the Internet under [www.schroff.biz](http://www.schroff.biz)

## Aluminium case for 19" components to IEC 60297-3-100 or individual electronics assemblies

- Front frame and side panels in aluminium
- Extensive accessories, matched to portable applications
- Basic level shielding from basic versions up, extended EMC shielding retrofittable
- Design alternative to compacPRO



### Desktop cases

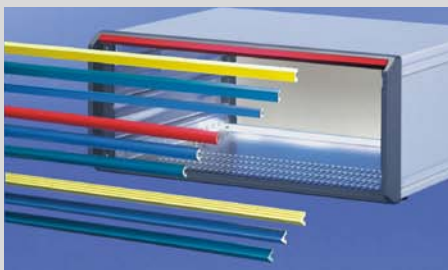
- **Complete case (pre-assembled)**
  - Prepared for 19" components to IEC 60297 for installation of euroboards
  - Basic level shielding from basic versions up, extended EMC shielding retrofittable
  - Height 3 U, 6 U



05809003 05806003

### ■ Cases

- Pre-assembled cases as basis for individual components or 19" components (IEC 60297)
- Basic level shielding from basic versions up, extended EMC shielding retrofittable
- Height: 2 U, 3 U, 4 U, 6 U
- 3 U and 4 U cases prepared for tip-up carrying handle



05809002

### Accessories



30407004

### ServicePLUS from page 5.4

e.g. modifications (special colours, special depths, cut-outs in top cover, base plate or side panels)  
e.g. assembly service from 1 piece

[www.schroff.biz/ServicePLUS](http://www.schroff.biz/ServicePLUS)

### propacPRO

**Complete cases**  
3, 6 U, unshielded/shielded ..... 5.46

**Cases 2, 3 U** .... 5.50

**Cases 4, 6 U** .... 5.51

**Cases for tip-up carrying handle**  
3, 4 U ..... 5.52

**Dimensions** ..... 5.53

**EMC shielding** .. 5.55

### Accessories

**Front panels** .... 5.54

**Rear panels** .... 5.55

**Design elements** 5.58

**Lateral covers** .. 5.59

**Handles** ..... 5.60

**Air filters** ..... 5.61

**Hoods** ..... 5.62

**Mounting plates** 5.64

**GND/earthing kit** 5.65

**Cable holder** ... 5.65

**Mounting position**  
horizontal/  
central rails .... 5.66

**Horizontal rails** . 5.67

**Threaded inserts** 5.68

**Z-rails, perforated rails** . 5.69

**Combined mounting** ..... 5.70

**Horizontal board assembly** ..... 5.71

**Tip-up feet** ..... 5.72

**Guide rails and ESD clips** ..... 5.73

**Divider plates** ... 5.75

**Air flow barrier** .. 5.75

ServicePLUS.. 5.4

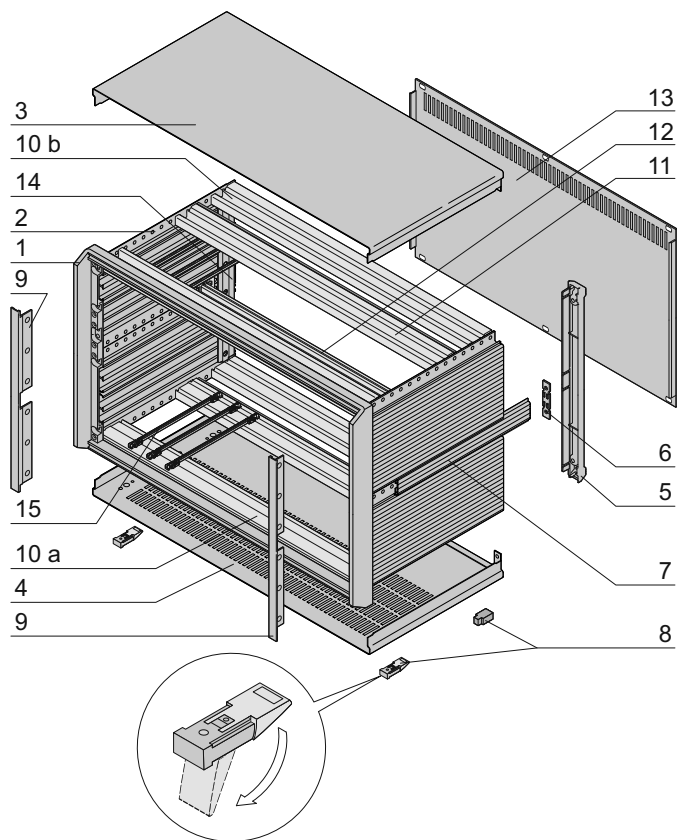
## Desk-top enclosure - *propac* PRO

Complete case,  
EMC shielded



3 U

05809004



05806106

Maximale Einbautiefe = D - 45  
(Distanz: Frontplatte - Rückwand)



ServicePLUS see page 5.4

- Desk-top case with pre-configured components, in accordance with IEC 60297-3-101; prepared for 19" components such as plug-in units and euroboards
- Ventilation slots in base plate
- Rear panel with vent slots

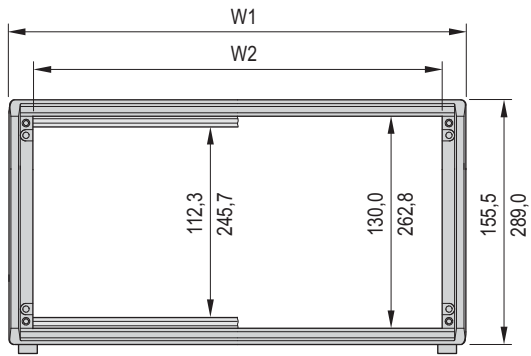
**Delivery comprises** (Items 1-7, 9 and 10 fitted)

| Item | Qty       |           | Description  |
|------|-----------|-----------|--|
|      | 3 U       | 6 U       |  |
| 1    | 1         | 1         | Frame, Al die-cast, powder-coated, RAL 7016  |
| 2    | 2         | 4         | Side panel, Al extrusion, powder-coated, RAL 9006, with EMC side panel gasketing   |
| 3    | 1         | 1         | Cover plate, Al, 1 mm, internal surface conductive, visible surface powder-coated, RAL 9006, with GND/earthing tag   |
| 4    | 1         | 1         | Base plate, Al, 1 mm, internal surface conductive, visible surface powder-coated, RAL 9006, with GND/earthing tag, base plate with 4 rows of ventilation slots         |
| 5    | 2         | 2         | End piece for rear, ABS, RAL 7016, UL 94 V-0; can be used as a foot when case is used in vertical position   |
| 6    | -         | 2         | Adaptor bracket (only at 6 U)  |
| 7    | -         | 2         | Cover trim for side panel, Al extrusion, powder-coated, RAL 9006   |
| 8    | 4         | 4         | Case foot with anti-slip protection, PC, black, UL 94 V-0 ( <b>20603-002</b> )   |
| 9    | 2         | 2         | Lateral trim, Al extrusion, visible surface painted, RAL 7016 with EMC sealing (textile)   |
| 10a  | 2         | 2         | Horizontal rail, Al extrusion, with threaded insert, St, M2.5; perforated strip, Al, 1 mm, EMC contact strip between front panel - horizontal rail - cover plate       |
| 10b  | 2         | 2         | Horizontal rail, Al extrusion, with threaded insert, St, M2.5; EMC contact strip between rear panel - horizontal rail - cover plate                                    |
| 11   | 2         | 2         | Centre horizontal rail top/bottom, Al extrusion, with threaded insert, St, M2.5 and insulation strip, PBT, UL 94 V-0 (for indirect backplane mounting); enclosed loose |
| 12   | -         | 1         | Centre horizontal rail, Al extrusion, anodised, conductive surfaces, with two threaded inserts, St, M2.5 and two insulation strips, PBT, UL 94 V-0                     |
| 13   | 1         | 1         | Rear panel with perforation, Al, 2.5 mm, anodised, with EMC sealing (textile) affixed  |
| 14   | 2         | 2         | EMC support profile rear, Al extrusion, EMC sealing (textile) affixed  |
| 15   | 10/<br>20 | 10/<br>20 | Guide rail for 160 mm board length, PBT, UL 94 V-0, 28/42 HP 10 pieces, 63/84 HP 20 pieces   |
| 16   | 1         | 1         | GND/earthing kit   |
| 17   | 1         | 1         | Assembly kit   |

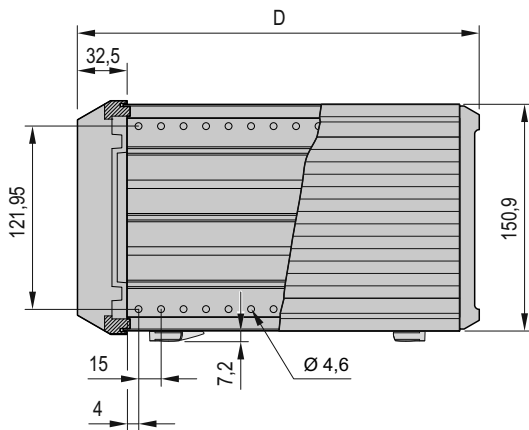


# Desk-top enclosure - *propacPRO*

Complete cases, EMC shielded

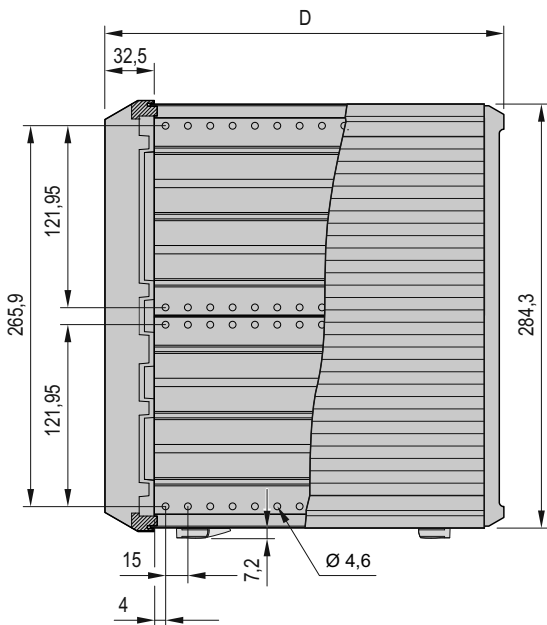


05809051



05806060

3 U



05806062

6 U

## Order Information

| Usable width | Width W1 | Depth D | Height | Part no. |           |
|--------------|----------|---------|--------|----------|-----------|
| W2           | W1       | D       | U      |          |           |
| HP           | mm       | mm      | mm     |          |           |
| 28           | 147.3    | 185.9   | 266    | 3        | 24576-101 |
| 28           | 147.3    | 185.9   | 326    | 3        | 24576-102 |
| 42           | 218.4    | 257     | 266    | 3        | 24576-103 |
| 42           | 218.4    | 257     | 326    | 3        | 24576-104 |
| 42           | 218.4    | 257     | 386    | 3        | 24576-105 |
| 63           | 325.1    | 363.7   | 266    | 3        | 24576-106 |
| 63           | 325.1    | 363.7   | 326    | 3        | 24576-107 |
| 63           | 325.1    | 363.7   | 386    | 3        | 24576-108 |
| 84           | 431.8    | 470.3   | 266    | 3        | 24576-109 |
| 84           | 431.8    | 470.3   | 326    | 3        | 24576-110 |
| 84           | 431.8    | 470.3   | 386    | 3        | 24576-111 |
| 84           | 431.8    | 470.3   | 446    | 3        | 24576-112 |
| 84           | 431.8    | 470.3   | 506    | 3        | 24576-113 |
| 84           | 431.8    | 470.3   | 326    | 6        | 24576-121 |
| 84           | 431.8    | 470.3   | 446    | 6        | 24576-122 |

## Note

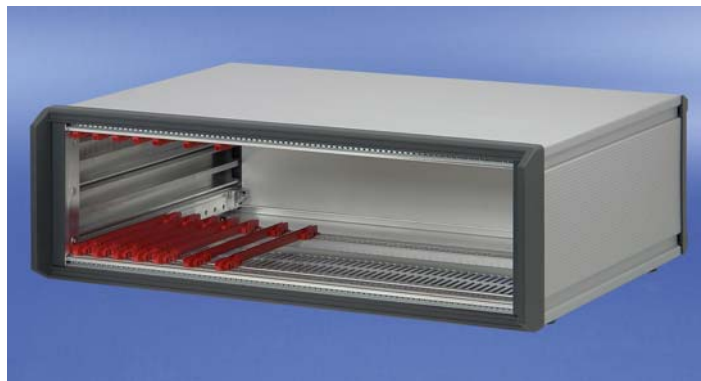
- Dimension drawings of side panel see from page 5.53



For further information [www.schroff.biz/oneclick](http://www.schroff.biz/oneclick)  
oneClick search code = Part no.

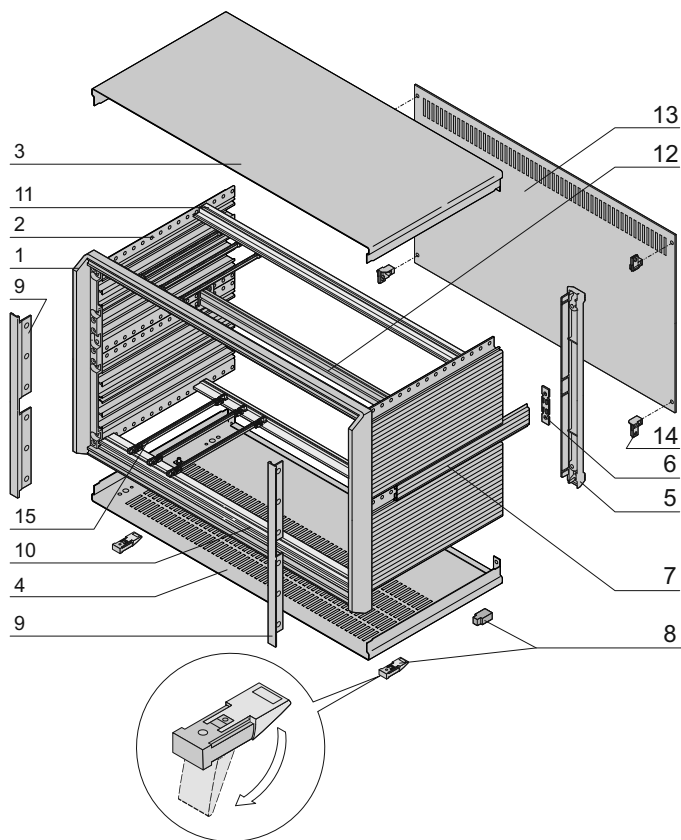
## Desk-top enclosure - *propac* PRO

Complete cases,  
unshielded



3 U

05809004



05806105

Maximum mounting depth = D - 45  
(Distance: front panel - rear panel)

- Desk-top case with pre-configured components, in accordance with IEC 60297-3-101; prepared for 19" components such as plug-in units and euroboards
- Ventilation slots in base plate
- Rear panel perforated

**Delivery comprises** (Items 1-7, 9 and 10 fitted)

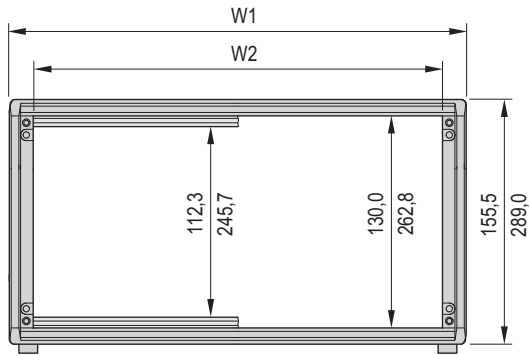
| Item | Qty       |           | Description  |
|------|-----------|-----------|--|
|      | 3 U       | 6 U       |  |
| 1    | 1         | 1         | Frame, Al die-cast, powder-coated, RAL 7016  |
| 2    | 2         | 4         | Side panel, Al extrusion, powder-coated, RAL 9006  |
| 3    | 1         | 1         | Cover plate, Al, 1 mm, internal surface conductive, visible surface powder-coated, RAL 9006, with GND/earthing tag   |
| 4    | 1         | 1         | Base plate, Al, 1 mm, internal surface conductive, visible surface powder-coated, RAL 9006, with GND/earthing tag, base plate with 4 rows of ventilation slots |
| 5    | 2         | 2         | End piece for rear, ABS, RAL 7016, UL 94 V-0; can be used as a foot for use in vertical position   |
| 6    | -         | 2         | Adaptor bracket (only at 6 U)  |
| 7    | -         | 2         | Cover trim for side panel, Al extrusion, powder-coated, RAL 9006   |
| 8    | 4         | 4         | Case foot with anti-slip protection, PC, black, UL 94 V-0 ( <b>20603-002</b> )   |
| 9    | 2         | 2         | Lateral trim, Al extrusion, visible surface painted, RAL 7016 with EMC sealing (textile)   |
| 10   | 2         | 2         | Horizontal rail, Al extrusion, with threaded insert, St, M2.5  |
| 11   | 2         | 2         | Rear horizontal rail, Al extrusion, with threaded insert, St, M2.5 and insulation strips, PBT, UL 94 V-0 (for indirect backplane mounting)                     |
| 12   | -         | 1         | Centre horizontal rail, Al extrusion, anodised, conductive surfaces, with two threaded inserts, St, M2.5 and two insulation strips, PBT, UL 94 V-0             |
| 13   | 1         | 1         | Rear panel with perforation, Al, anodised, 2 mm at 28, 42 and 63 HP, 2.5 mm at 84 HP   |
| 14   | 4         | 4         | Support member for rear panel, Zn die-cast   |
| 15   | 10/<br>20 | 10/<br>20 | Guide rail for 160 mm board length, PBT, UL 94 V-0, 28/42 HP 10 pieces, 63/84 HP 20 pieces   |
| 16   | 1         | 1         | GND/earthing kit   |
| 17   | 1         | 1         | Assembly kit   |



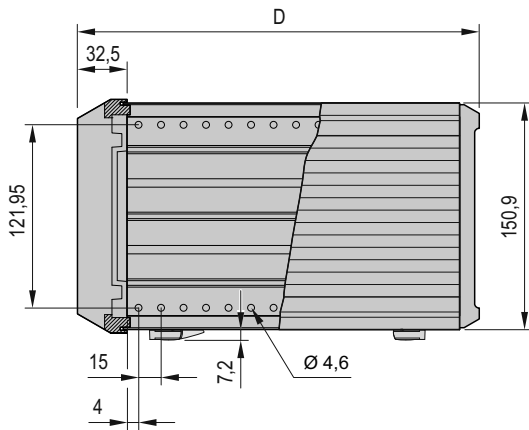
ServicePLUS see page 5.4

# Desk-top enclosure - *propacPRO*

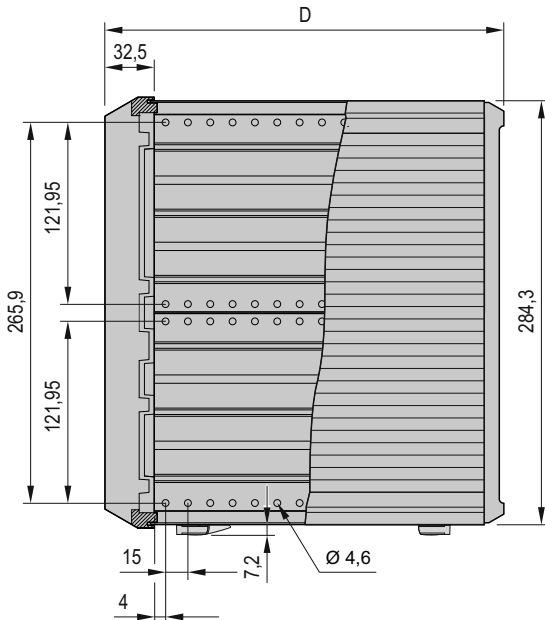
Complete cases, unshielded



05809051



3 U



05806062

6 U

## Order Information

| Usable width<br>W2 | Width W1 | Depth D | Height | Part no. |           |
|--------------------|----------|---------|--------|----------|-----------|
| HP                 | mm       | mm      | mm     | U        |           |
| 28                 | 147.3    | 185.9   | 266    | 3        | 24576-001 |
| 28                 | 147.3    | 185.9   | 326    | 3        | 24576-002 |
| 42                 | 218.4    | 257     | 266    | 3        | 24576-003 |
| 42                 | 218.4    | 257     | 326    | 3        | 24576-004 |
| 42                 | 218.4    | 257     | 386    | 3        | 24576-005 |
| 63                 | 325.1    | 363.7   | 266    | 3        | 24576-006 |
| 63                 | 325.1    | 363.7   | 326    | 3        | 24576-007 |
| 63                 | 325.1    | 363.7   | 386    | 3        | 24576-008 |
| 84                 | 431.8    | 470.3   | 266    | 3        | 24576-009 |
| 84                 | 431.8    | 470.3   | 326    | 3        | 24576-010 |
| 84                 | 431.8    | 470.3   | 386    | 3        | 24576-011 |
| 84                 | 431.8    | 470.3   | 446    | 3        | 24576-012 |
| 84                 | 431.8    | 470.3   | 506    | 3        | 24576-013 |
| 84                 | 431.8    | 470.3   | 326    | 6        | 24576-021 |
| 84                 | 431.8    | 470.3   | 446    | 6        | 24576-022 |

Maximum mounting depth = D - 45  
(Distance: front panel - rear panel)

## Note

- Dimension drawings of side panel see from page 5.53



For further information [www.schroff.biz/oneclick](http://www.schroff.biz/oneclick)  
oneClick search code = Part no.

# Desk-top enclosure - *propac*PRO

Cases, 2 and 3 U, unshielded

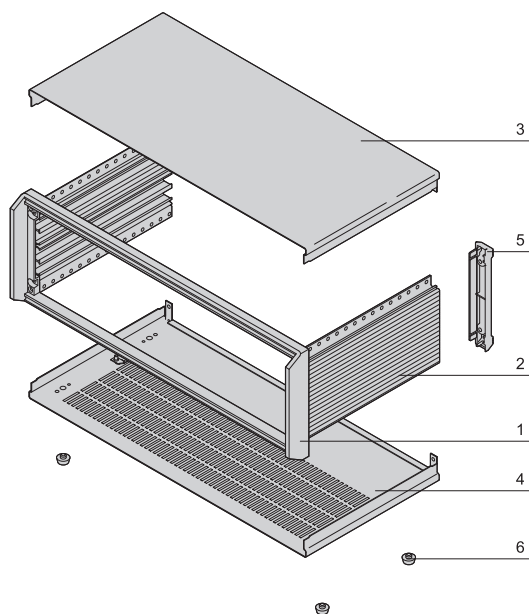


05806001

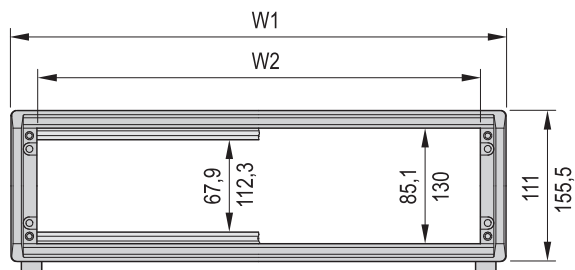
- Desk-top case with pre-configured components, in accordance with IEC 60297-3-101; prepared for 19" components such as plug-in units and euroboards
- Ventilation slots in base plate
- Prepared for GND/earthing

**Delivery comprises** (kit, items 1 - 5 fitted)

| Item | Qty | Description  |
|------|-----|--|
| 1    | 1   | Frame, Al die-cast, powder-coated, RAL 7016  |
| 2    | 2   | Side panel, Al extrusion, powder-coated, RAL 9006  |
| 3    | 1   | Cover plate, Al, 1 mm, internal surface conductive, visible surface powder-coated, RAL 9006, with GND/earthing tag   |
| 4    | 1   | Base plate, Al, 1 mm, internal surface conductive, visible surface powder-coated, RAL 9006, with GND/earthing tag, base plate with 4 rows of ventilation slots |
| 5    | 2   | End piece for rear, ABS, RAL 7016, UL 94 V-0; can be used as a foot for use in vertical position   |
| 6    | 4   | Case foot with anti-slip protection, PC, black, UL 94 V-0  |
| 7    | 1   | Assembly kit   |

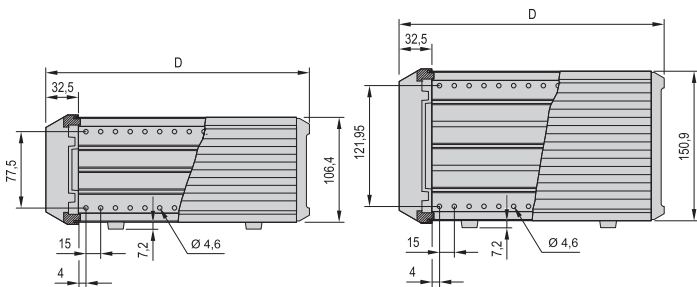


05806057



05806077

Cross-section 2 U, 3 U



2 U

05806059

3 U

05806060

## Order Information

| Usable width | Width W1 | Depth D | 2 U      | 3 U       |           |
|--------------|----------|---------|----------|-----------|-----------|
| W2           | W2       |         | Part no. | Part no.  |           |
| HP           | mm       | mm      |          |           |           |
| 28           | 147.3    | 185.9   | 266      | -         | 14576-101 |
| 28           | 147.3    | 185.9   | 326      | -         | 14576-103 |
| 42           | 218.4    | 257     | 266      | 14576-021 | 14576-121 |
| 42           | 218.4    | 257     | 326      | 14576-023 | 14576-123 |
| 42           | 218.4    | 257     | 386      | -         | 14576-125 |
| 63           | 325.1    | 363.7   | 266      | 14576-041 | 14576-141 |
| 63           | 325.1    | 363.7   | 326      | 14576-043 | 14576-143 |
| 63           | 325.1    | 363.7   | 386      | 14576-045 | 14576-145 |
| 84           | 431.8    | 470.3   | 266      | -         | 14576-161 |
| 84           | 431.8    | 470.3   | 326      | -         | 14576-163 |
| 84           | 431.8    | 470.3   | 386      | -         | 14576-165 |
| 84           | 431.8    | 470.3   | 446      | -         | 14576-167 |
| 84           | 431.8    | 470.3   | 506      | -         | 14576-169 |

## Accessories

|   |           |
|---|-----------|
| <b>GND/earthing kit</b> Cu wire 1.5 mm <sup>2</sup> , PVC sleeve, green/yellow, links side panels, base, cover and rear panel, PU 1 piece | 21102-001 |
|---|-----------|

Maximum mounting depth = D - 45  
(Distance: front panel - rear panel)

## Note

- Case, 3 U with side panel for tip-up carrying handle, see page 5.52
- Dimensions see page 5.48
- Dimensions side panel, see page 5.53



For further information [www.schroff.biz/oneclick](http://www.schroff.biz/oneclick)  
oneClick search code = Part no.



ServicePLUS see page 5.4

# Desk-top enclosure - *propac*PRO

Cases, 4 and 6 U, unshielded

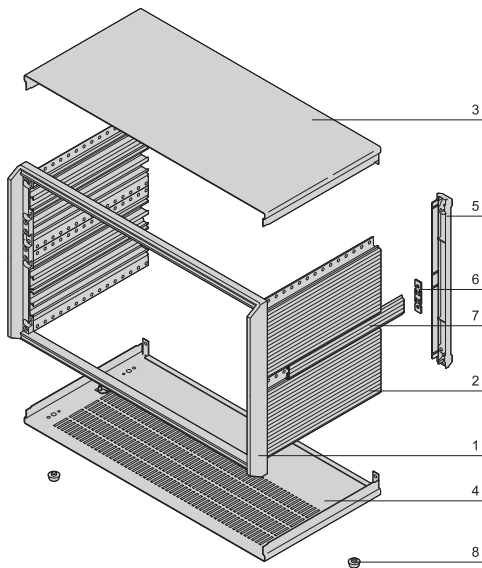


05806003

- Desk-top case with pre-configured components, in accordance with IEC 60297-3-101; prepared for 19" components such as plug-in units and euroboards
- Ventilation slots in base plate
- Prepared for GND/earthing

**Delivery comprises** (kit, items 1 - 6 fitted)

| Item | Qty |     | Description  |
|------|-----|-----|--|
|      | 4 U | 6 U |  |
| 1    | 1   | 1   | Frame, Al die-cast, powder-coated, RAL 7016  |
| 2    | 2   | 4   | Side panel, Al extrusion, powder-coated, RAL 9006  |
| 3    | 1   | 1   | Cover plate, Al, 1 mm, internal surface conductive, visible surface powder-coated, RAL 9006, with GND/earthing tag   |
| 4    | 1   | 1   | Base plate, Al, 1 mm, internal surface conductive, visible surface powder-coated, RAL 9006, with GND/earthing tag, base plate with 4 rows of ventilation slots |
| 5    | 2   | 2   | End piece for rear, ABS, RAL 7016, UL 94 V-0; can be used as a foot for use in vertical position   |
| 6    | -   | 2   | Adaptor bracket, Al  |
| 7    | 2   | 2   | Cover trim for side panel, Al extrusion, powder-coated, RAL 9006   |
| 8    | 4   | 4   | Case foot with anti-slip protection, PC, black, UL 94 V-0  |
| 9    | 1   | 1   | Assembly kit   |



05806058

## Order Information

| Usable width | Width W1 | Depth D | 4 U      | 6 U       |           |
|--------------|----------|---------|----------|-----------|-----------|
|              |          |         | Part no. | Part no.  |           |
| W2           | W2       |         |          |           |           |
| HP           | mm       | mm      | mm       |           |           |
| 42           | 218.4    | 257     | 266      | 14576-221 | -         |
| 42           | 218.4    | 257     | 326      | 14576-223 | -         |
| 63           | 325.1    | 363.7   | 266      | 14576-241 | -         |
| 63           | 325.1    | 363.7   | 326      | 14576-243 | -         |
| 63           | 325.1    | 363.7   | 386      | 14576-245 | -         |
| 63           | 325.1    | 363.7   | 446      | 14576-247 | -         |
| 84           | 431.8    | 470.3   | 326      | -         | 14576-463 |
| 84           | 431.8    | 470.3   | 386      | 14576-265 | 14576-465 |
| 84           | 431.8    | 470.3   | 446      | 14576-267 | 14576-467 |
| 84           | 431.8    | 470.3   | 506      | 14576-269 | 14576-469 |

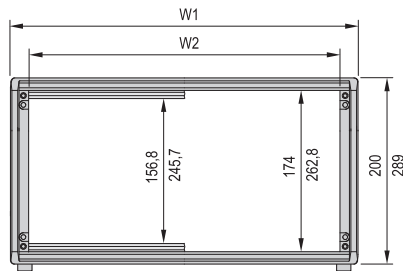
## Accessories

**GND/earthing kit** Cu wire 1.5 mm<sup>2</sup>, PVC sleeve, green/yellow, links side panels, base, cover and rear panel, PU 1 piece 21102-001

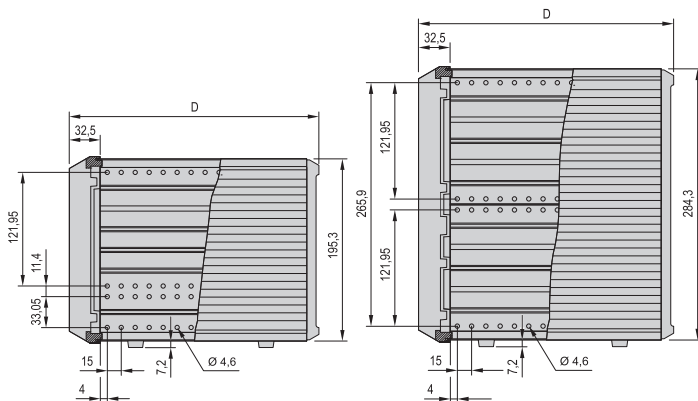
Maximum mounting depth = D - 45  
(Distance: front panel - rear panel)

## Note

- Case, 4 U with side panel for tip-up carrying handle, see page 5.52
- Dimensions side panel, see page 5.53



05806078



05806062

4 U

05806061

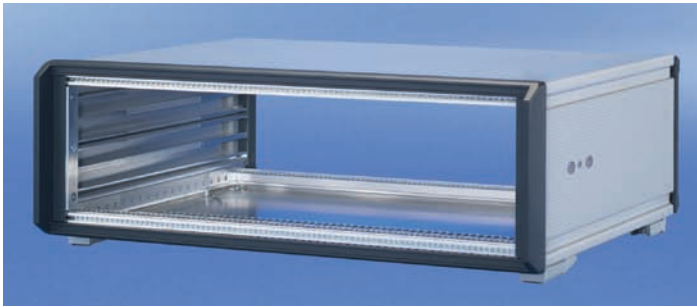
6 U



ServicePLUS see page 5.4

# Desk-top enclosure - *propac* PRO

3 U and 4 U cases, unshielded,  
with holes for tip-up carrying handle



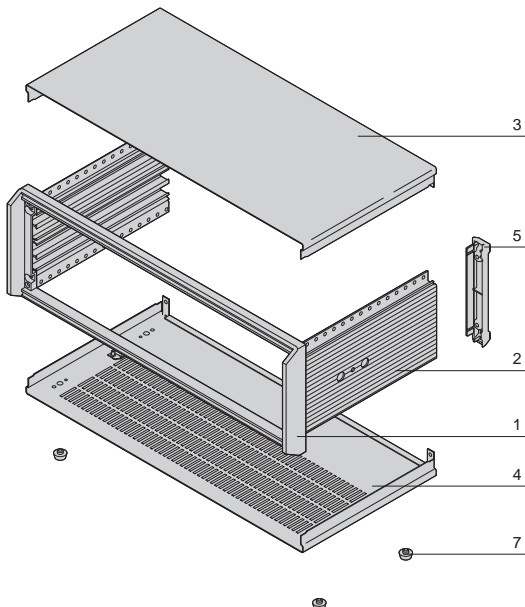
05812006

- Desk-top case with pre-configured components, in accordance with IEC 60297-3-101; prepared for 19" components such as plug-in units and euroboards
- Ventilation slots in base plate
- Prepared for GND/earthing
- Prepared for fitting of tip-up carrying handle

**NEW**

**Delivery comprises** (kit, items 1 - 6 fitted)

| Item | Qty |     | Description  |
|------|-----|-----|--|
|      | 3 U | 4 U |  |
| 1    | 1   | 1   | Frame, Al die-cast, powder-coated, RAL 7016  |
| 2    | 2   | 4   | Side panel, Al extrusion, powder-coated, RAL 9006; with drill holes for tip-up carrying handle   |
| 3    | 1   | 1   | Cover plate, Al, 1 mm, internal surface conductive, visible surface powder-coated, RAL 9006, with GND/earthing tag   |
| 4    | 1   | 1   | Base plate, Al, 1 mm, internal surface conductive, visible surface powder-coated, RAL 9006, with GND/earthing tag, base plate with 4 rows of ventilation slots |
| 5    | 2   | 2   | End piece for rear, ABS, RAL 7016, UL 94 V-0; can be used as a foot for use in vertical position   |
| 6    | -   | 2   | Cover trim for side panel, Al extrusion, powder-coated, RAL 9006   |
| 7    | 4   | 4   | Case foot with anti-slip protection, PC, black, UL 94 V-0  |
| 8    | 1   | 1   | Assembly kit   |



05812050

## Order Information

| Usable width | Width W1 |       | Depth D | 3 U       |           | 4 U |  |
|--------------|----------|-------|---------|-----------|-----------|-----|--|
|              | W2       | W2    |         | Part no.  | Part no.  |     |  |
| HP           | mm       | mm    | mm      |           |           |     |  |
| 42           | 218.4    | 257.0 | 326     | 14577-123 | 14577-223 |     |  |
| 42           | 218.4    | 257.0 | 386     | 14577-125 | -         |     |  |
| 63           | 325.1    | 363.7 | 326     | 14577-143 | 14577-243 |     |  |
| 63           | 325.1    | 363.7 | 386     | 14577-145 | 14577-245 |     |  |
| 84           | 431.8    | 470.3 | 326     | 14577-163 | -         |     |  |
| 84           | 431.8    | 470.3 | 386     | 14577-165 | 14577-265 |     |  |

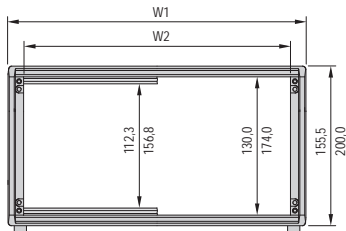
05812051

## Accessories

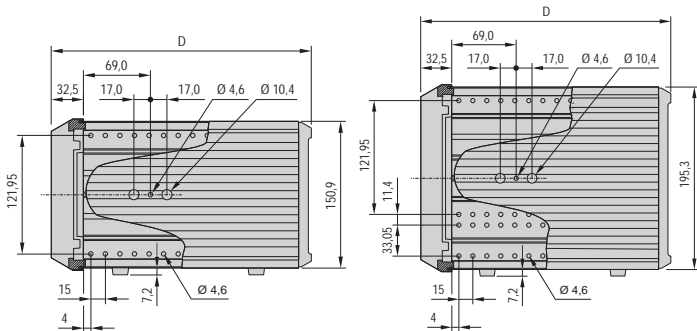
|   |           |
|---|-----------|
| <b>GND/earthing kit</b> Cu wire 1.5 mm <sup>2</sup> , PVC sleeve, green/yellow, links side panels, base, cover and rear panel, PU 1 piece | 21102-001 |
| <b>Tip-up carrying handle</b> for 42 HP case width, PU 1 kit  | 24576-071 |
| <b>Tip-up carrying handle</b> for 63 HP case width, PU 1 kit  | 24576-072 |
| <b>Tip-up carrying handle</b> for 84 HP case width, PU 1 kit  | 24576-073 |

## Note

- Dimensions see page 5.48
- Dimensions side panel, see page 5.53



05812051



3 U

05812052

4 U

05812053



For further information [www.schroff.biz/oneclick](http://www.schroff.biz/oneclick)  
oneClick search code = Part no.

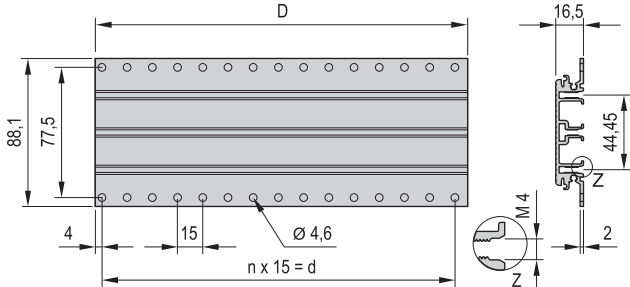


ServicePLUS see page 5.4

# Desk-top enclosure - *propacPRO*

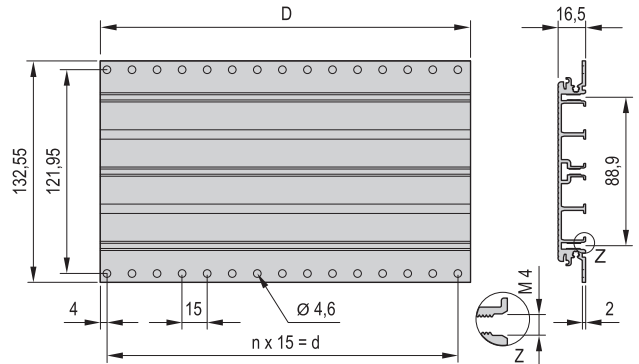
## Dimensions

Extruded side panel 2 U



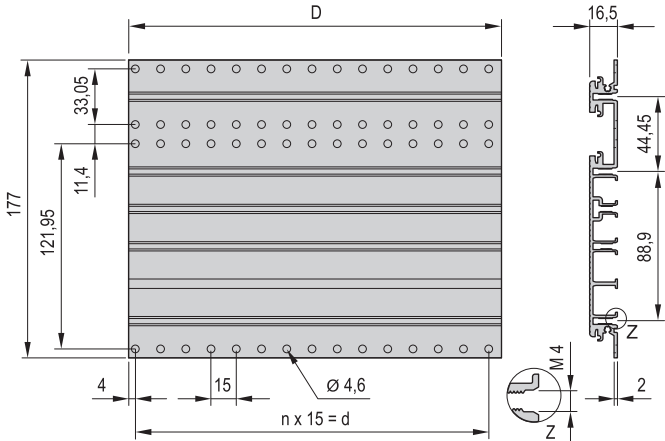
05806079

Extruded side panel 3 U



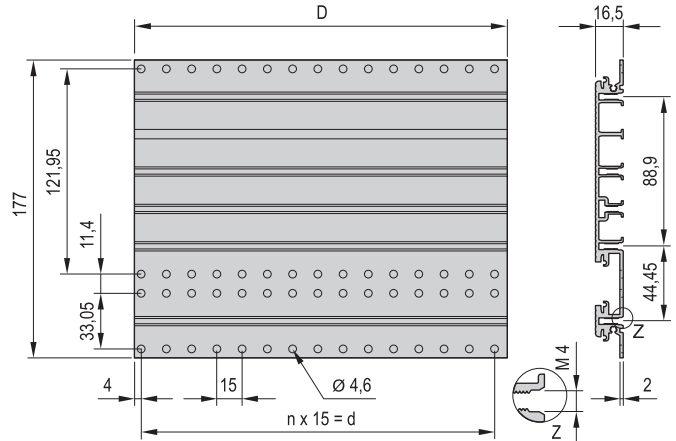
05806080

Extruded side panel 4 U, right



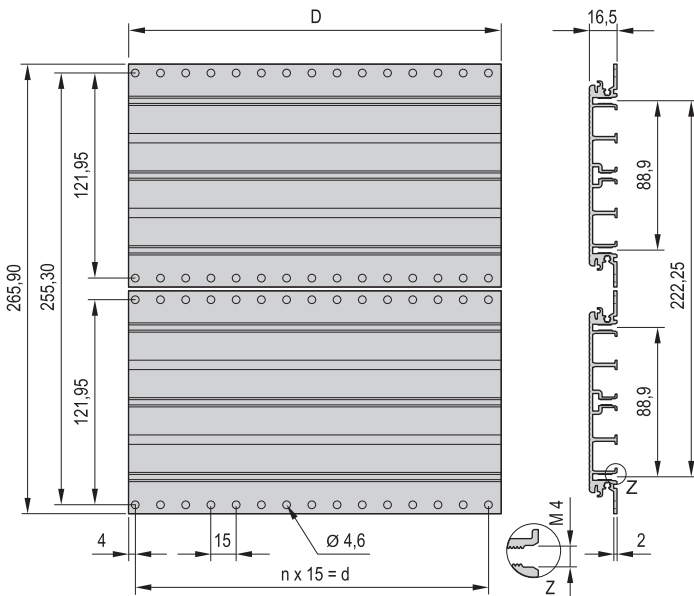
05806081

Extruded side panel 4 U, left



05806082

Extruded side panel 6 U



05806083

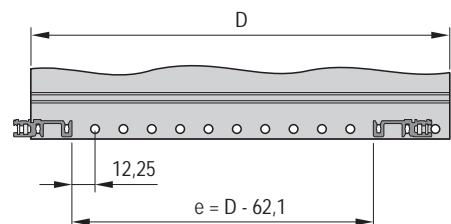
Dimensions table

| For case depth | D     | d   | n  |
|----------------|-------|-----|----|
| mm             | mm    | mm  |    |
| 266            | 221.6 | 210 | 14 |
| 326            | 281.6 | 270 | 18 |
| 386            | 341.6 | 330 | 22 |
| 446            | 401.6 | 390 | 26 |
| 506            | 461.6 | 450 | 30 |

**Note**

A side panel for case 6 U consists of 2 pieces 3 U extruded side panels

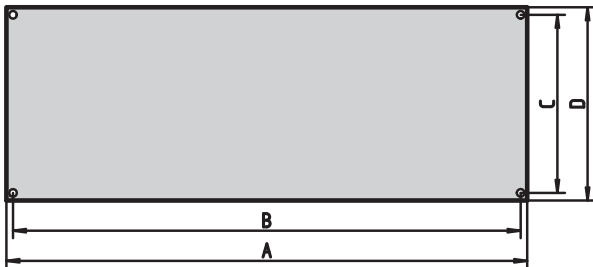
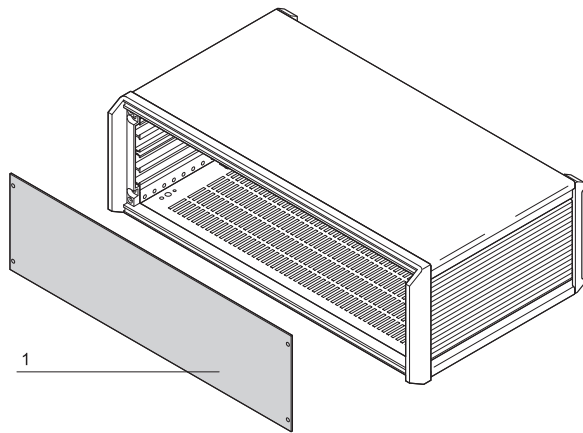
Side panel with horizontal rail



05806107

## Desk-top enclosure - *propac*PRO

Front panel, unshielded,  
for mounting on case frame



### Delivery comprises

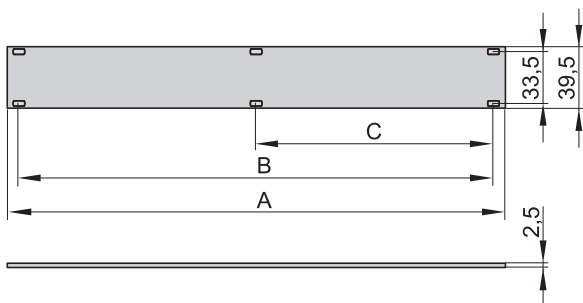
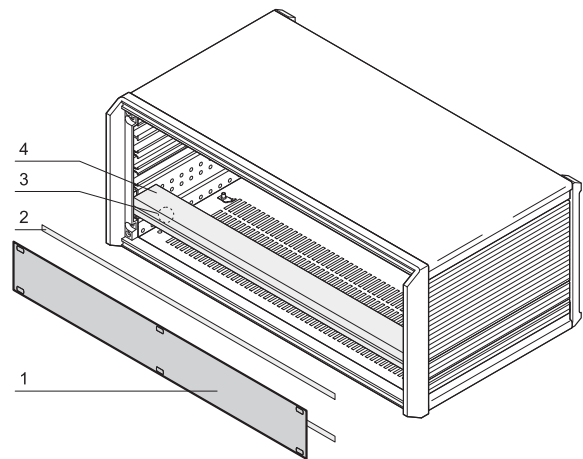
| Item | Qty | Description   |
|------|-----|---|
| 1    | 1   | Full-width front panel, Al, 2 mm (on 84 HP = 2.5 mm), anodised, cut edges plain |
| 2    | 1   | Assembly kit  |

### Order Information

| For case height | For case width | A     | B     | C     | D     | Part no.  |
|-----------------|----------------|-------|-------|-------|-------|-----------|
| U               | HP             | mm    | mm    | mm    | mm    |           |
| 2               | 42             | 238.7 | 230.0 | 74.0  | 84.0  | 20850-128 |
| 2               | 63             | 345.4 | 336.7 | 74.0  | 84.0  | 20850-129 |
| 2               | 84             | 452.0 | 443.3 | 74.0  | 84.0  | 20850-130 |
| 3               | 28             | 167.6 | 158.9 | 118.5 | 128.5 | 20850-134 |
| 3               | 42             | 238.7 | 230.0 | 118.5 | 128.5 | 20850-135 |
| 3               | 63             | 345.4 | 336.7 | 118.5 | 128.5 | 20850-136 |
| 3               | 84             | 452.0 | 443.3 | 118.5 | 128.5 | 20850-137 |
| 4               | 42             | 238.7 | 230.0 | 162.9 | 172.9 | 20850-142 |
| 4               | 63             | 345.4 | 336.7 | 162.9 | 172.9 | 20850-143 |
| 4               | 84             | 452.0 | 443.3 | 162.9 | 172.9 | 20850-144 |
| 6               | 84             | 452.0 | 443.3 | 251.8 | 261.8 | 20850-158 |

■ EMC front panel see chapter Front Panels, page 7.7

Front panel, 1 U, unshielded, for 4 U case,  
for mounting on horizontal rails



### Delivery comprises

| Item | Qty | Description  |
|------|-----|--|
| 1    | 1   | Front panel, Al, 2.5 mm, front anodised, rear iridescent green chromated |

### Order Information

| Width | A     | B     | C     | Front panel |
|-------|-------|-------|-------|-------------|
| HP    | mm    | mm    | mm    | Part no.    |
| 28    | 141.9 | 127.0 | –     | 20850-423   |
| 42    | 213.0 | 198.1 | 101.6 | 20850-424   |
| 63    | 319.7 | 304.8 | 157.5 | 20850-425   |
| 84    | 426.4 | 411.5 | 203.2 | 20850-426   |

### Note

■ Please order items 2, 3 and 4 separately

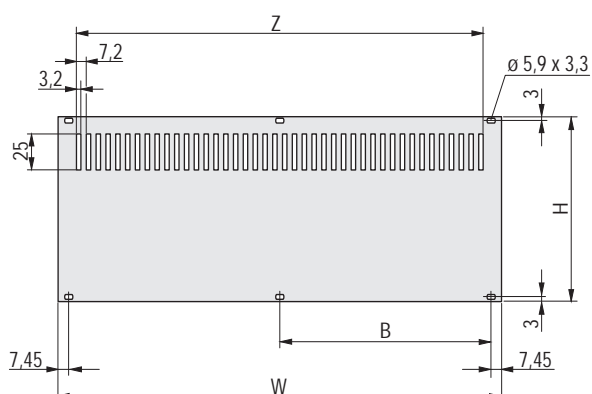
| Width | Item 2  | Item 3                                      | Item 4                                       |
|-------|---|---|--|
| HP    | EMC gasket, front panel/ horizontal rail PU 10 pieces | EMC gasketing kit horizontal rails, 1 piece | Horizontal rail type H-KD, 1 piece (SPQ 101) |
| HP    | Part no.  | Part no.                                    | Part no.                                     |
| 28    | 24560-229   | 24562-528                                   | 34560-228                                    |
| 42    | 24560-231   | 24562-542                                   | 34560-242                                    |
| 63    | 24560-233   | 24562-563                                   | 34560-263                                    |
| 84    | 24560-235   | 24562-584                                   | 34560-284                                    |

1) SPQ (standard pack quantity): Order number includes 1 piece, but delivery is exclusively made in standard pack quantity (SPQ); please order at least the SPQ quantity or a multiple thereof

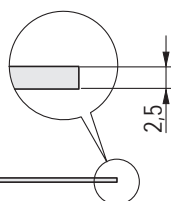


## Desk-top enclosure - *propac*PRO

Rear panel, perforated,  
for mounting on horizontal rails

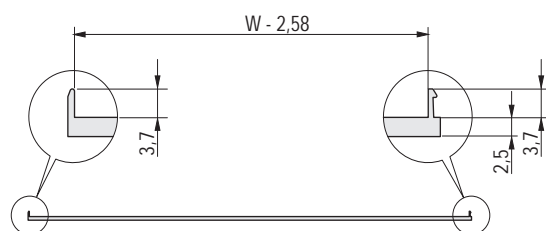


01802055



01804050

Unshielded



01802055

Shieldable

- Two versions: unshielded, Al, 2.5 mm shieldable, Al extrusion (textile EMC gasketing retrofittable)

### Delivery comprises

| Item | Qty | Description  |
|------|-----|--|
| 1    | 1   | Rear panel, Al, 2.5 mm, front: anodised, rear: iridescent green chromated; unshielded or shieldable with EMC sealing (textile) |

### Order Information

| Height U | H mm  | Width W HP mm | B mm  | h mm  | unshielded Part no. | shieldable Part no. |
|----------|-------|---------------|-------|-------|---------------------|---------------------|
| 2        | 84    | 28            | 141.9 | -     | 78                  | 30849-007 20848-679 |
| 2        | 84    | 42            | 213   | 101.6 | 78                  | 30849-014 20848-680 |
| 2        | 84    | 63            | 319.7 | 157.5 | 78                  | 30849-015 20848-681 |
| 2        | 84    | 84            | 426.4 | 208.3 | 78                  | 30849-016 20848-682 |
| 3        | 128.4 | 28            | 141.9 | -     | 122.4               | 30849-008 20848-633 |
| 3        | 128.4 | 42            | 213   | 101.6 | 122.4               | 30849-021 20848-634 |
| 3        | 128.4 | 63            | 319.7 | 157.5 | 122.4               | 30849-022 20848-635 |
| 3        | 128.4 | 84            | 426.4 | 208.3 | 122.4               | 30849-023 20848-636 |
| 4        | 172.9 | 28            | 141.9 | -     | 166.9               | 30849-009 20848-656 |
| 4        | 172.9 | 42            | 213   | 101.6 | 166.9               | 30849-028 20848-657 |
| 4        | 172.9 | 63            | 319.7 | 157.5 | 166.9               | 30849-029 20848-658 |
| 4        | 172.9 | 84            | 426.4 | 208.3 | 166.9               | 30849-030 20848-659 |
| 6        | 261.8 | 28            | 141.9 | -     | 255.8               | 30849-010 20848-640 |
| 6        | 261.8 | 42            | 213   | 101.6 | 255.8               | 30849-035 20848-641 |
| 6        | 261.8 | 63            | 319.7 | 157.5 | 255.8               | 30849-036 20848-642 |
| 6        | 261.8 | 84            | 426.4 | 208.3 | 255.8               | 30849-037 20848-643 |

- Please order textile EMC gasket separately
- EMC gasket rear panel - horizontal rail see page 5.65
- Horizontal rails see page 5.67
- Assembly parts see page 6.63

### Textile EMC gasket

- The textile EMC gasket is glue fixed laterally on the front panel, always in the groove on the right-hand side of the profile
- Temperature range -40 °C ... +70 °C

### Delivery comprises ( )

| Item | Qty    | Description  |
|------|--------|--|
| 1    | 10/100 | Textile EMC gasket, core: foam, sleeve: textile cladding with CuNi coating |

### Order Information

| Height U | Height mm | Qty/PU pieces | Part no.  |
|----------|-----------|---------------|-----------|
| 2        | 52        | 10            | 21101-857 |
| 3        | 97        | 100           | 21101-854 |
| 3        | 97        | 10            | 21101-853 |
| 4        | 142       | 10            | 21101-858 |
| 6        | 232       | 100           | 21101-856 |
| 6        | 232       | 10            | 21101-855 |

04602054

## Desk-top enclosure - *propac* PRO

Rear panel, unshielded,  
for mounting on case frame

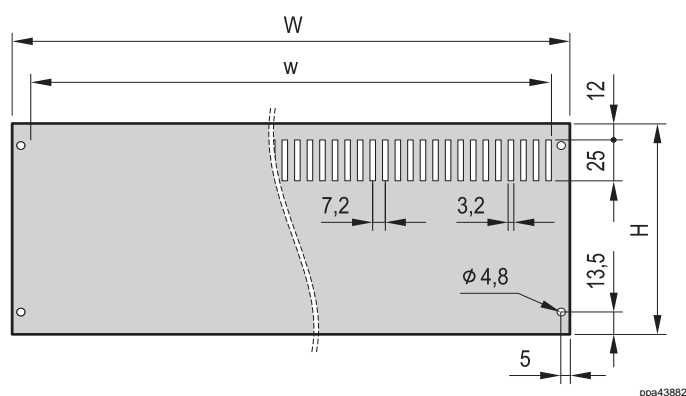
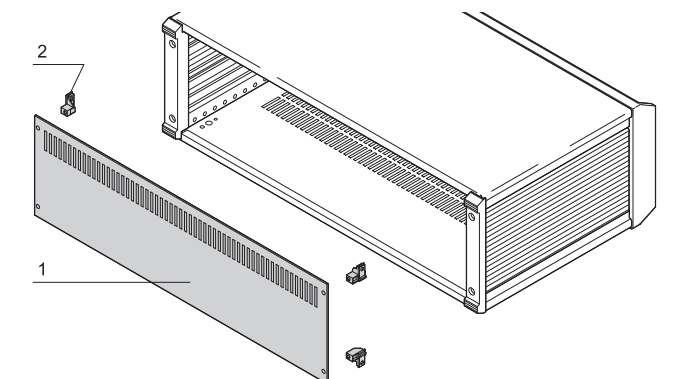
- Mounting with support brackets on case (right and left)
- Versions with and without perforation

### Delivery comprises

| Item | Qty | Description  |
|------|-----|--|
| 1    | 1   | Full-width rear panel, Al, anodised, cut edges blank<br>28, 42, 63 HP = 2 mm thickness<br>84 HP = 2.5 mm thickness |
| 2    | 4   | Support member, Zn die-cast  |
| 3    | 1   | Assembly kit   |

### Order Information

| Height U | H     | Width W | w   | With perforation Part no. | Without perforation Part no. |
|----------|-------|---------|-----|---------------------------|------------------------------|
| 2        | 84    | 42      | 213 | 24576-144                 | 24576-044                    |
| 2        | 84    | 63      | 320 | 24576-145                 | 24576-045                    |
| 2        | 84    | 84      | 426 | 24576-146                 | 24576-046                    |
| 3        | 128.5 | 28      | 142 | 24576-147                 | 24576-047                    |
| 3        | 128.5 | 42      | 213 | 24576-148                 | 24576-048                    |
| 3        | 128.5 | 63      | 320 | 24576-149                 | 24576-049                    |
| 3        | 128.5 | 84      | 426 | 24576-150                 | 24576-050                    |
| 4        | 172.9 | 42      | 213 | 24576-152                 | 24576-052                    |
| 4        | 172.9 | 63      | 320 | 24576-153                 | 24576-053                    |
| 4        | 172.9 | 84      | 426 | 24576-154                 | 24576-054                    |
| 6        | 261.8 | 84      | 426 | 24576-158                 | 24576-058                    |



Rear panel, shielded,  
for mounting on case frame

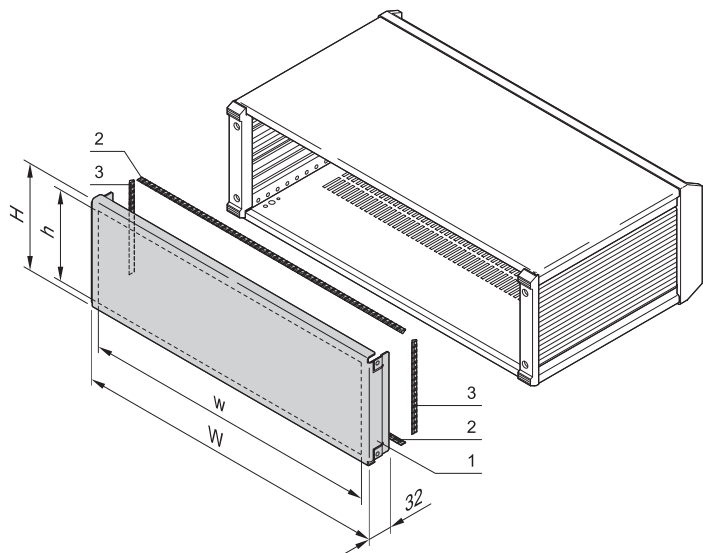
- Mounts on case (left, right)
- Without perforation

### Delivery comprises

| Item | Qty | Description  |
|------|-----|--|
| 1    | 1   | Full-width EMC rear panel, Al 1.5 mm, passivated,<br>with GND/earthing connection (Faston 6.3 mm)                |
| 2    | 2   | Textile EMC gasketing, for mounting top and bottom,<br>core: foam,<br>sleeve: textile cladding with CuNi coating |
| 3    | 2   | Textile EMC gasketing, for mounting left and right,<br>core: foam,<br>sleeve: textile cladding with CuNi coating |
| 4    | 1   | Assembly kit   |

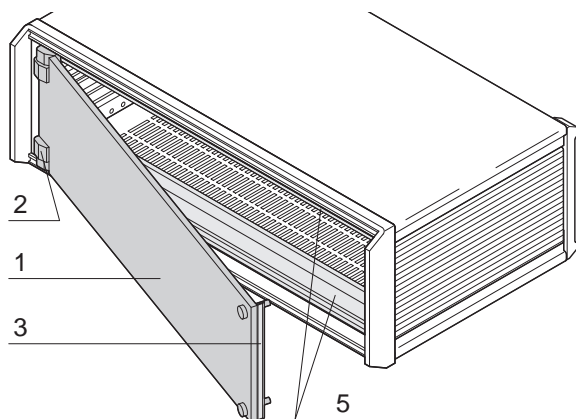
### Order Information

| Height U | H     | Height h | Width W | w     | Part no.  |
|----------|-------|----------|---------|-------|-----------|
| 2        | 101.5 | 84       | 42      | 217.9 | 24576-244 |
| 2        | 101.5 | 84       | 63      | 324.6 | 24576-245 |
| 3        | 146   | 128.4    | 28      | 146.8 | 24576-247 |
| 3        | 146   | 128.4    | 42      | 217.9 | 24576-248 |
| 3        | 146   | 128.4    | 63      | 324.6 | 24576-249 |
| 3        | 146   | 128.4    | 84      | 431.3 | 24576-250 |
| 4        | 190.4 | 172.9    | 42      | 217.9 | 24576-252 |
| 4        | 190.4 | 172.9    | 63      | 324.6 | 24576-253 |
| 4        | 190.4 | 172.9    | 84      | 431.3 | 24576-254 |
| 6        | 279.3 | 261.8    | 84      | 431.3 | 24576-258 |



## Desk-top enclosure - *propacPRO*

Front panel, hinged, shielded, for mounting on horizontal rails



- Front panel with textile EMC gasketing
- Hinges can be fitted left or right
- Suitable for europacPRO subrack and ratiopacPRO, compacPRO and propacPRO cases

### Delivery comprises (kit)

| Item | Qty | Description  |
|------|-----|--|
| 1    | 1   | Front panel, hinged, Al, 2.5 mm, front anodised, rear iridescent green chromated |
| 2    | 2   | Hinge, Zn die-cast, chrome-plated  |
| 3    | 1   | Textile EMC gasket<br>core: foam, sleeve: textile cladding with CuNi coating     |
| 4    | 1   | Assembly kit   |

05806102

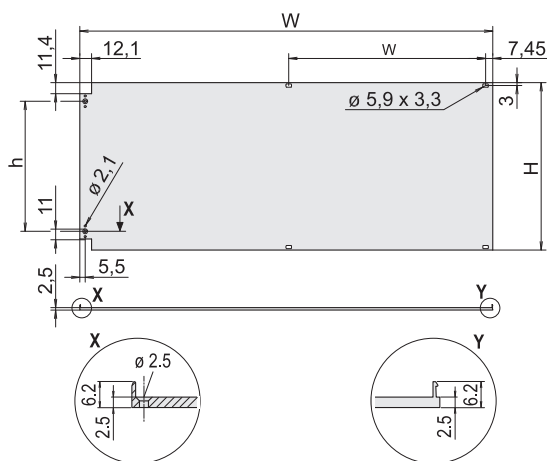
### Order Information

| Height  | Width | H     | h     | W     | w     | Part no.  |
|---|-------|-------|-------|-------|-------|-----------|
| U   | HP    | mm    | mm    | mm    | mm    |           |
| 3   | 84    | 128.4 | 89.9  | 426.4 | 203.2 | 20848-611 |
| 6   | 84    | 261.8 | 223.2 | 426.4 | 203.2 | 20848-617 |
| Item 5, Horizontal rail Type H-VT heavy duty, recessed mounting 84 HP, 1 piece (SPQ 10) |       |       |       |       |       | 34560-784 |

### Note

- Usable width reduced by 2 HP (hinged side)
- Horizontal rail (item 5) for front panel mounting is required, please order separately
- Lateral trim is necessary, please order separately, see page 5.59

05806097



04602081



For further information [www.schroff.biz/oneclick](http://www.schroff.biz/oneclick)  
OneClick search code = Part no.

## EMC side panel gasket

- For EMC shielding between side panel and top cover or base plate (sufficient for at least 1 case)

### Order Information

| Item | Description   | Qty/PU | Part no.  |
|------|---|--------|-----------|
| 1    | Sealing cord, silicone, silver coated, Ø 2.4 mm, length 2.1 m | 1      | 30850-354 |

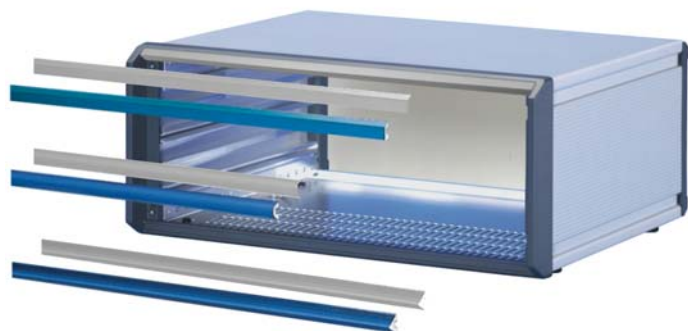


For further information [www.schroff.biz/oneclick](http://www.schroff.biz/oneclick)  
OneClick search code = Part no.

05806068

## Desk-top enclosure - *propac* PRO

### Design elements






05809002

- To individualise case design

### Delivery comprises

| Qty | Description                                 |
|-----|---|
| 1   | Design element, Al extrusion, powder-coated |
| 1   | Assembly kit                                |

### Order Information

| Description   | Width | Light grey<br>RAL 7035 | Brilliant<br>blue<br>RAL 5007 |
|---|-------|------------------------|-------------------------------|
|   |       | HP                     | Part no.                      |
| Form 1<br><br><small>PPA43761</small>   | 42    | <b>20850-184</b>       | <b>20850-299</b>              |
|   | 63    | 20850-185              | 20850-300                     |
|   | 84    | 20850-186              | 20850-301                     |
| Form 2<br><br><small>PPA43762</small>   | 42    | 20850-190              | 20850-315                     |
|   | 63    | 20850-191              | 20850-316                     |
|   | 84    | 20850-192              | 20850-317                     |
| Form 3<br><br><small>PPA43763</small> | 42    | 20850-196              | 20850-331                     |
|   | 63    | 20850-197              | 20850-332                     |
|   | 84    | 20850-198              | 20850-333                     |

### Note

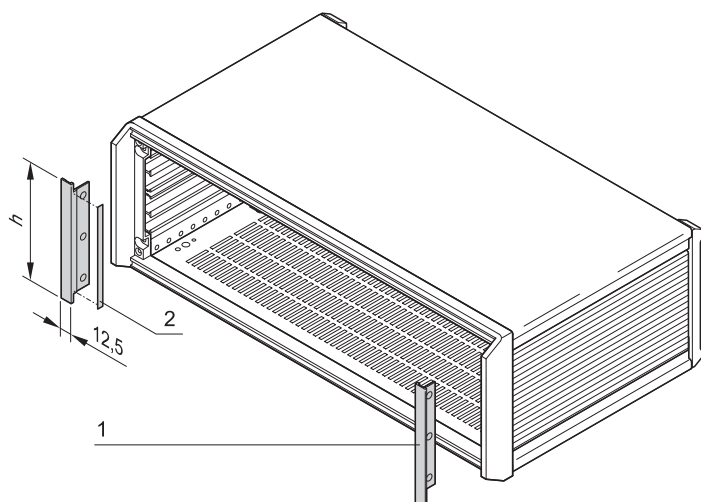
- Size 28 HP and further colours available on request
- Cannot be combined with front hood



For further information [www.schroff.biz/oneclick](http://www.schroff.biz/oneclick)  
oneClick search code = Part no.

## Desk-top enclosure - *propacPRO*

### Trim, front, for EMC shielding



05806069

- For lateral covering of frame and for producing a continuous front with front panels and plug-in units
- Serves for lateral shielding of side panels simultaneously

#### Delivery comprises (kit)

| Item | Qty | Description  |
|------|-----|--|
| 1    | 2   | Lateral trim, Al extrusion, visible surface painted RAL 7016 |
| 2    | 1   | Textile EMC gasket   |
| 3    | 1   | Assembly kit   |

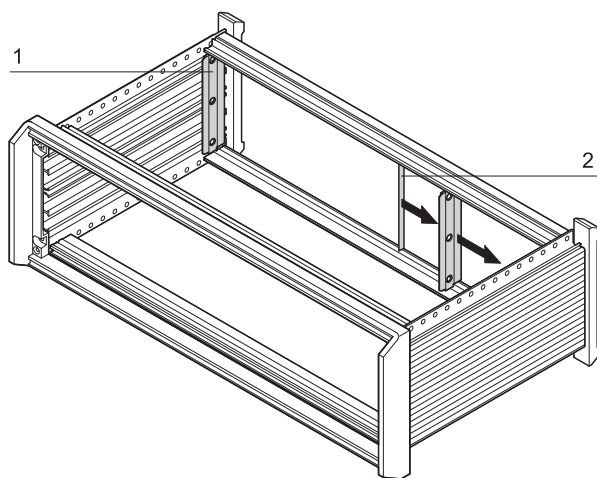
#### Order Information

| For case height | h         | Part no.  |
|-----------------|-----------|-----------|
| <b>U</b>        | <b>mm</b> |           |
| 2               | 84        | 24576-017 |
| 3               | 128.5     | 24576-117 |
| 4               | 172.9     | 24576-217 |
| 6               | 261.8     | 24576-417 |



For further information [www.schroff.biz/oneclick](http://www.schroff.biz/oneclick)  
oneClick search code = Part no.

### Trim, rear, for EMC shielding



05806103

- For vertical EMC shielding between shielded front panels and side panel

#### Delivery comprises

| Item | Qty | Description                     |
|------|-----|---------------------------------|
| 1    | 2   | EMC contact strip, Al extrusion |
| 2    | 1   | Textile EMC gasket              |
| 3    | 1   | Assembly kit                    |

#### Order Information

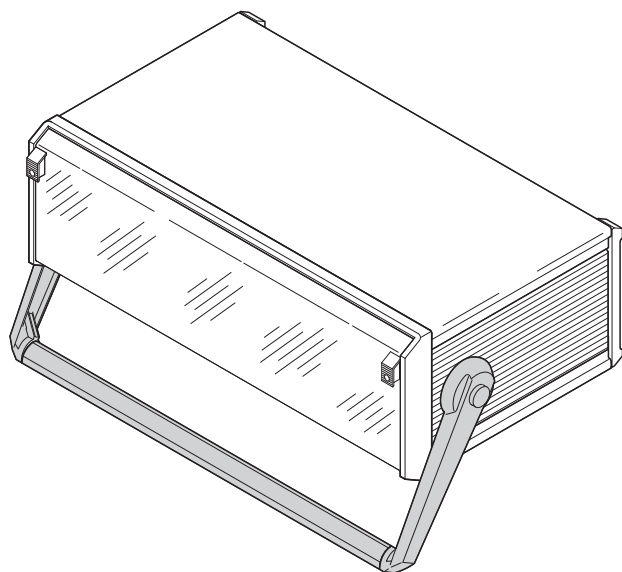
| Height   | Height    | Part no.  |
|----------|-----------|-----------|
| <b>U</b> | <b>mm</b> |           |
| 2        | 65.55     | 24576-018 |
| 3        | 110       | 24576-118 |
| 4        | 154.45    | 24576-218 |
| 6        | 243.35    | 24576-418 |



For further information [www.schroff.biz/oneclick](http://www.schroff.biz/oneclick)  
oneClick search code = Part no.

## Desk-top enclosure - *propac* PRO

### Tip-up carrying handle



05806101

- With powder-coated carrying bar
- Can be locked in 30° increments
- Load-carrying capacity 20 kg

#### Delivery comprises (Kit)

| Item | Qty | Description  |
|------|-----|--|
| 1    | 1   | Carrying bar, Al extrusion, powder-coated, RAL 7016          |
| 2    | 2   | Handle side part, Zn, die-cast, powder-coated, length 180 mm |
| 3    | 2   | Safety insert, St, 1.5 mm, black                             |
| 4    | 1   | Assembly kit for side panel mounting                         |

#### Order Information

| For case width | Part no.  |
|----------------|-----------|
| <b>HP</b>      |           |
| 28             | 24576-070 |
| 42             | 24576-071 |
| 63             | 24576-072 |
| 84             | 24576-073 |

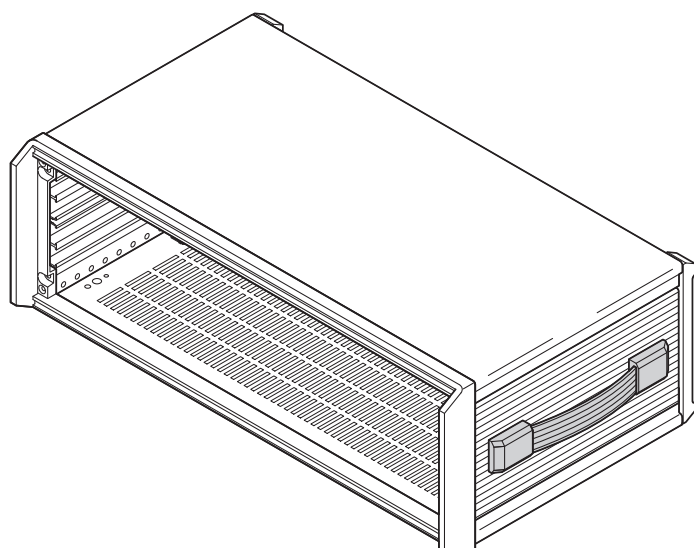
#### Note

- To fit the tip-up carrying handle, holes must be drilled in the side panel
- Readily prepared cases (3 U and 4 U), for mounting the tip-up carrying handle see page 5.52



For further information [www.schroff.biz/oneclick](http://www.schroff.biz/oneclick)  
oneClick search code = Part no.

### Strap handle



05806098

- Load-carrying capacity: 20 kg

#### Delivery comprises (Kit)

| Item | Qty | Description  |
|------|-----|--|
| 1    | 1   | Band, spring steel, handle, flexible plastic, grey, RAL 7016 |
| 2    | 2   | Cover, grey, RAL 7016  |
| 3    | 1   | Assembly kit   |

#### Order Information

| Description               | Part no.  |
|---------------------------|-----------|
| Strap handle with adaptor | 20850-249 |

#### Note

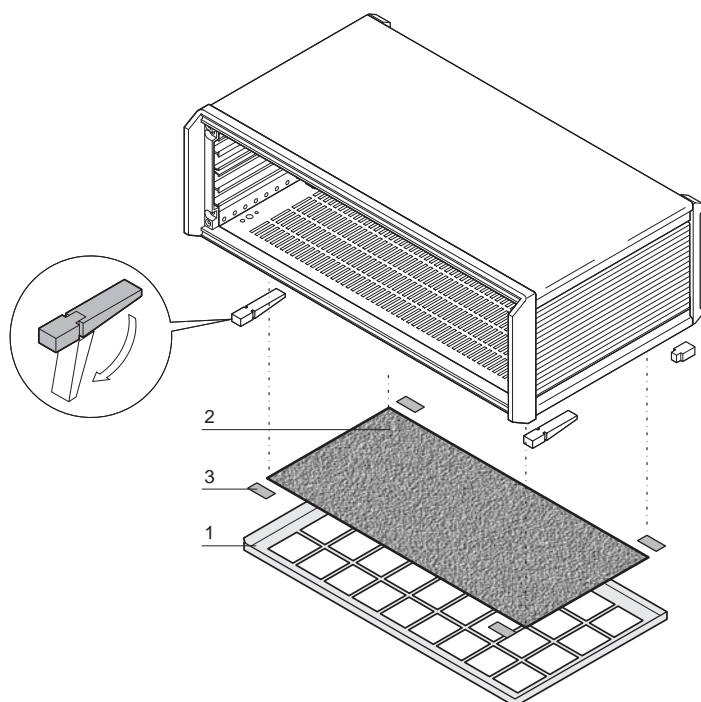
- Holes must be drilled into the side panels to fix the strap handle
- Side panels with holes already drilled available on request
- Usable from case depth of D = 326 mm



For further information [www.schroff.biz/oneclick](http://www.schroff.biz/oneclick)  
oneClick search code = Part no.

# Desk-top enclosure - *propacPRO*

## Air filter



- Subsequent mounting possible without modification or tools
- Filter change without opening the case, IP protection code not affected

### Delivery comprises (Kit)

| Item | Qty | Description                                      |
|------|-----|--|
| 1    | 1   | Filter holder, Al, 1 mm, powder-coated, RAL 9006 |
| 2    | 1   | Filter mat, synthetic fibre                      |
| 3    | 1   | Velcro   |

### Order Information

| For case width  | Air filter | Replacement filter 1 piece |
|---|------------|----------------------------|
| HP  | Part no.   | Part no.                   |
| 28  | 24576-093  | 64571-033                  |
| 42  | 24576-094  | 64571-034                  |
| 63  | 24576-095  | 64571-035                  |
| 84  | 24576-096  | 64571-036                  |
| <b>Tip-up foot in plastic silver, similar to RAL 9006,</b><br>4 pieces  |            | 20603-001                  |
| <b>Plastic tip-up foot anthracite, similar to RAL 7016,</b><br>4 pieces |            | 20603-002                  |

### Note

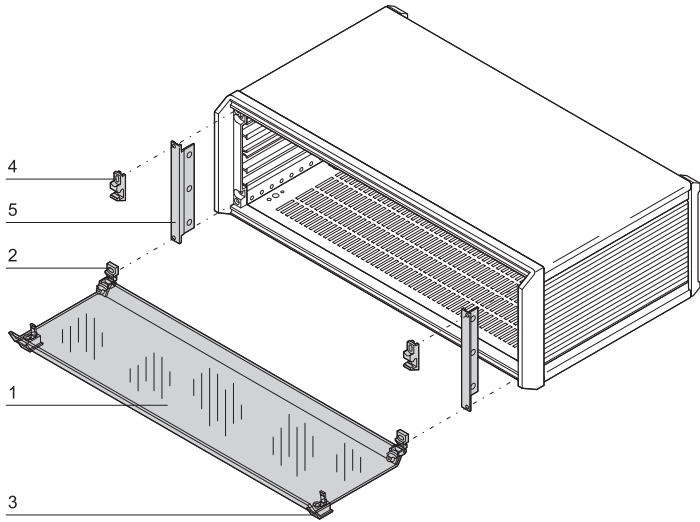
- For optimum ventilation feet must be fixed to the case, please order separately



For further information [www.schroff.biz/oneclick](http://www.schroff.biz/oneclick)  
oneClick search code = Part no.

# Desk-top enclosure - *propac* PRO

## Front hood 3 U



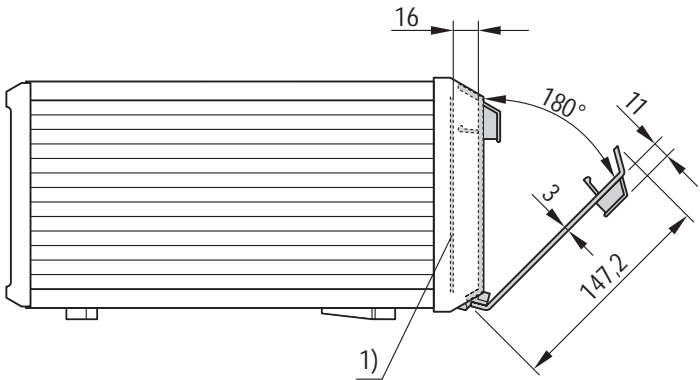
- From acrylic glass, hinged, removable
- Mounting of hinges at top or bottom
- Lock (max. 2) retrofittable
- Lateral cover (item 5) also serves as vertical EMC shielding of side panels

### Delivery comprises (kit)

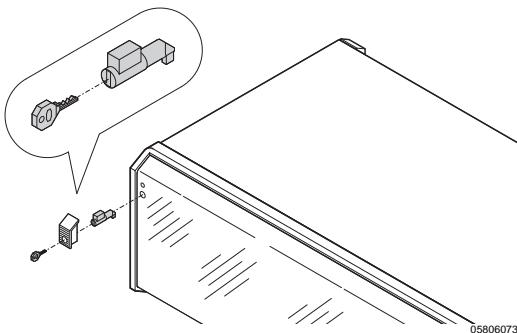
| Item | Qty | Description  |
|------|-----|--|
| 1    | 1   | Hood, PMMA, tinted blue grey, acrylic glass, 3 mm            |
| 2    | 2   | Hinge, PC, UL 94 V-0, RAL 7016                               |
| 3    | 2   | Handle, PC, UL 94 V-0, RAL 7016                              |
| 4    | 2   | Retainer, UL 94 V-0, PC, RAL 7016                            |
| 5    | 2   | Lateral trim, Al extrusion, visible surface painted RAL 7016 |
| 6    | 1   | Assembly kit   |

### Order Information

| For case width   | Part no.  |
|--|-----------|
| <b>HP</b>  |           |
| 28   | 24576-080 |
| 42   | 24576-081 |
| 63   | 24576-082 |
| 84   | 24576-083 |
| <b>Lock for front hood</b> Locking cylinder, key, assembly kit, PU 1 kit | 60850-171 |
| <b>Plastic tip-up foot silver</b> , similar to RAL 9006, 4 pieces        | 20603-001 |
| <b>Plastic tip-up foot anthracite</b> , similar to RAL 7016, 4 pieces    | 20603-002 |



1) Front panel



Lock for front hood

### Note

- Cannot be combined with design elements
- Other heights available on request
- Before assembly of hood feet must be fixed to case; please order separately

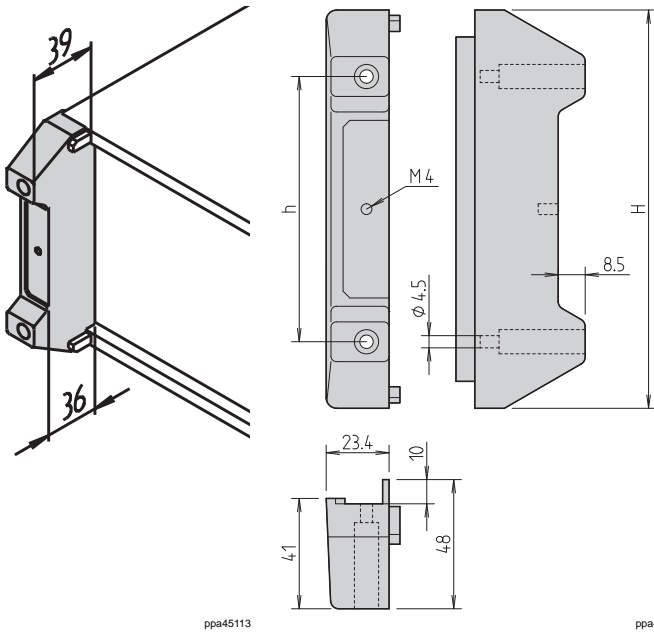


For further information [www.schroff.biz/oneclick](http://www.schroff.biz/oneclick)  
oneClick search code = Part no.



# Desk-top enclosure - *propac*PRO

## Foot for rear hood



- Increases the distance between rear panel and parking surface (when used vertically)
- Simplifies cable routing
- Increased shock and vibration damping
- Required for mounting rear hood

### Delivery comprises

| Item | Qty | Description   |
|------|-----|---------------|
| 1    | 2   | Foot, PU foam |
| 1    | 1   | Assembly kit  |

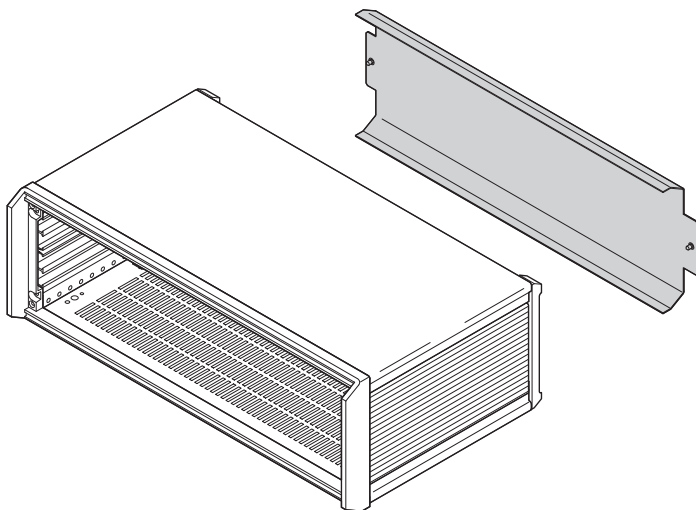
### Order Information

| For cabinet height | Height H  | Part no.  |
|--------------------|-----------|-----------|
| <b>U</b>           | <b>mm</b> |           |
| 3                  | 147.9     | 24576-393 |
| 4                  | 192.3     | 24576-394 |



For further information [www.schroff.biz/oneclick](http://www.schroff.biz/oneclick)  
oneClick search code = Part no.

## Rear hood



### Delivery comprises (kit)

| Item | Qty | Description  |
|------|-----|--|
| 1    | 1   | Hood, Al, 1 mm, RAL 9006, fixing with knurled screws |
| 2    | 1   | Assembly kit   |

### Order Information

| Height   | Width     | A         | B         | C         | D         | E         | Part no.  |
|----------|-----------|-----------|-----------|-----------|-----------|-----------|-----------|
| <b>U</b> | <b>HP</b> | <b>mm</b> | <b>mm</b> | <b>mm</b> | <b>mm</b> | <b>mm</b> |           |
| 3        | 42        | 246       | 230       | 213       | 145.9     | 64        | 24576-086 |
| 3        | 63        | 352.7     | 336.7     | 319.7     | 145.9     | 64        | 24576-087 |
| 3        | 84        | 459.4     | 443.4     | 426.4     | 145.9     | 64        | 24576-088 |
| 4        | 63        | 352.7     | 336.7     | 319.7     | 190.4     | 108.5     | 24576-091 |
| 4        | 84        | 459.4     | 443.4     | 426.4     | 190.4     | 108.5     | 24576-092 |

**Foot for rear hood** for case height 3 U, PU foam, black, PU 2 pieces 24576-393

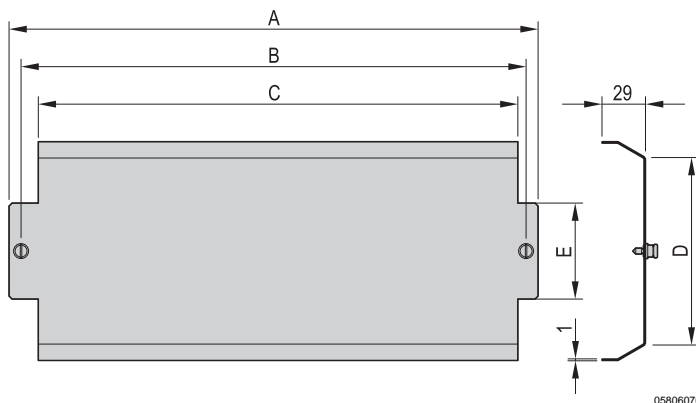
**Foot for rear hood** for case height 4 U, PU foam, black, PU 2 pieces 24576-394

### Note

- To fit the rear hood, feet must be fitted to the rear panel; please order separately



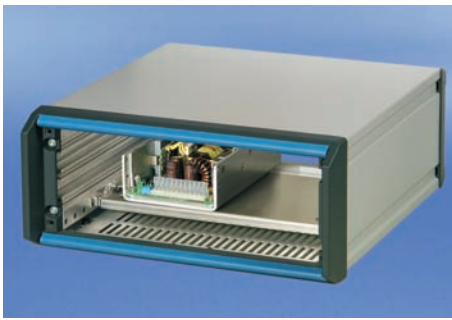
For further information [www.schroff.biz/oneclick](http://www.schroff.biz/oneclick)  
oneClick search code = Part no.



# Desk-top enclosure - *propacPRO*

## Mounting plates

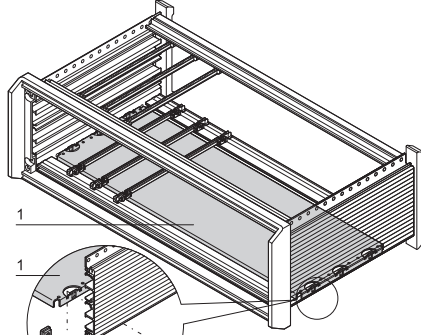
### Order Information



05812001

### Mounting plate for fixing of heavy components

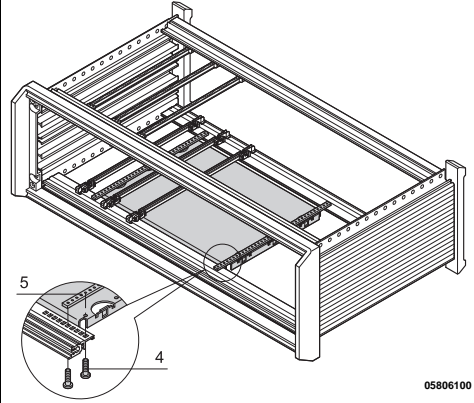
Mounting plate over **full width**:  
mounting is onto the side panels  
Mounting plate over **partial width**:  
mounting is onto one side panel and a fixing strip or  
onto 2 fixing strips



06102501

Al, 1.5 mm; for mounting over partial width,  
please order fixing strips separately

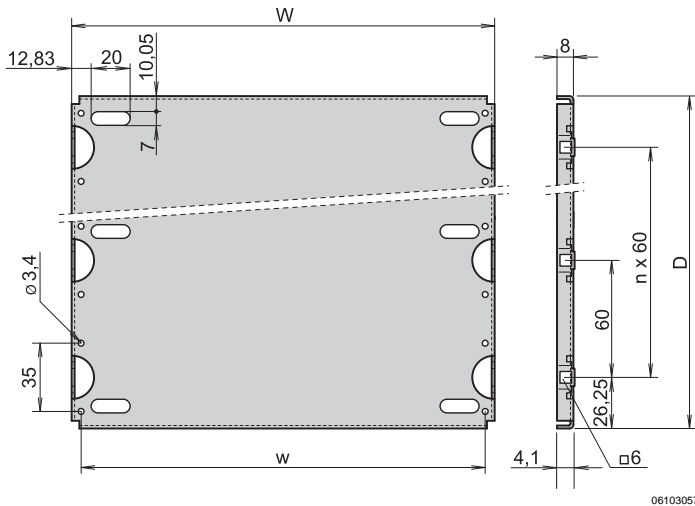
### Fixing strip for partial widths



05806100

St, 2 mm, zinc-plated;  
is bolted from front to rear onto the horizontal rails;  
to fix mounting plates

| Width W<br>HP  | W<br>mm | Board lengths<br>mm | <b>1 piece</b> | <b>1 piece</b> |
|--|---------|---------------------|----------------|----------------|
| 42   | 217.99  | 160                 | 34562-746      | 30840-021      |
| 42   | 217.99  | 220                 | 34562-750      | 30840-033      |
| 63   | 324.67  | 160                 | 34562-747      | 30840-021      |
| 63   | 324.67  | 220                 | 34562-751      | 30840-033      |
| 84   | 431.35  | 160                 | 34562-748      | 30840-021      |
| 84   | 431.35  | 220                 | 34562-752      | 30840-033      |
| 84   | 431.35  | 340                 | 34562-760      | 30840-057      |
| Assembly kit for mounting plate, PU 1 kit<br>(Torx countersunk screw M4 x 5, St, zinc-plated,<br>12 pieces; screw M4 x 6, St, zinc-plated,<br>10 pieces; M4 square nut, St, zinc-plated,<br>10 pieces) |         |                     | 24560-184      | -              |
| Assembly kit for fixing strips for partial width<br>mounting plates, Torx screw M2.5 x 5, St,<br>zinc-plated, PU 100 pieces<br>M2.5 x 5, St, zinc-plated, PU 100 pieces                                |         |                     | -              | 24560-146      |



06103057

### Note

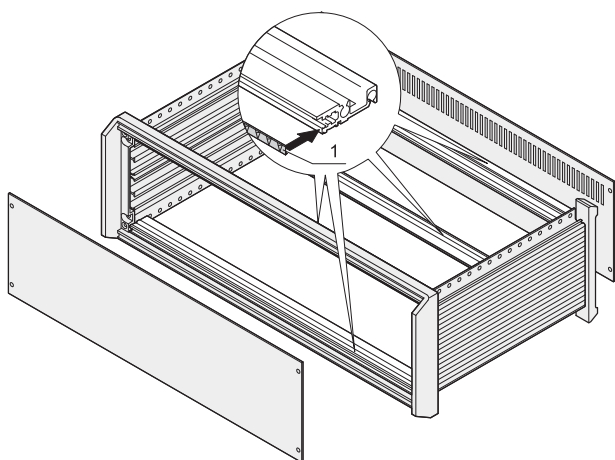
- Please order assembly kit for mounting plate separately
- Fixing strips required for partial width, please order separately
- Other versions on request
- Dimensions side panel with horizontal rail see page 5.53

propacPRO:

D = board length - 47.5 mm; n = 1 for 160 mm board length;  
n = 2 for 220 mm board length; n=4 for 340 mm board length

## Desk-top enclosure - *propac*PRO

EMC gasket, stainless steel,  
between front/rear panel and horizontal rail



05806109

- The EMC contact strip is clipped onto the horizontal rail and forms a conductive link to front or rear panel
- Can be used for front/rear horizontal rails type VT (recessed)

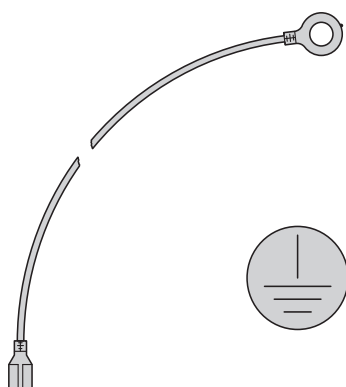
### Delivery comprises

| Item | Qty    | Description               |
|------|--------|---------------------------|
| 1    | 10/100 | EMC gasket, St, stainless |

### Order Information

| Width<br>HP | Length<br>mm | Qty/PU<br>pieces | Part no.  |
|-------------|--------------|------------------|-----------|
| 28          | 131.78       | 10               | 24560-229 |
| 42          | 202.9        | 10               | 24560-231 |
| 63          | 304.5        | 10               | 24560-233 |
| 84          | 416.56       | 10               | 24560-235 |
| 84          | 416.56       | 100              | 24560-236 |

### GND/earthing kit



aza43284

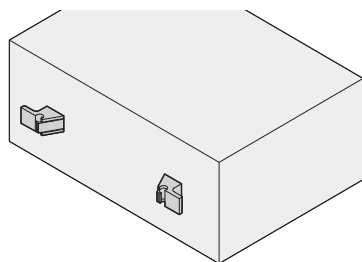
- Protective GND/earthing connections in accordance with:
  - DIN EN 50178/VDE 0160
  - DIN EN 60950/VDE 0805
  - DIN EN 61010-1/VDE 0411 part 1
  - DIN EN 61010-1A2/VDE 0411 part 1A1

- VDE tested

### Order Information

| Description   | Part no.  |
|---|-----------|
| GND/earthing kit, Cu wire 1.5 mm <sup>2</sup> , PVC sleeve, green/<br>yellow, links side panels, base and rear panel, 1 piece | 21102-001 |

### Cable holder



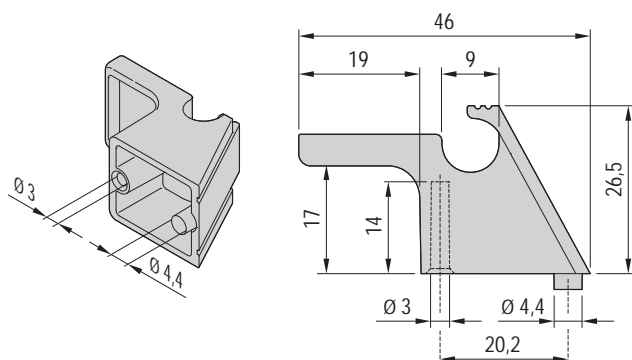
02908053

### Delivery comprises

| Item | Qty | Description   |
|------|-----|---|
| 1    | 2   | Cable holder, ABS, UL V-94 0, RAL 7016,<br>detent for cables between 8 mm and 12 mm |
| 2    | 1   | Drilling template, two drill holes each per holder are<br>needed in rear panel      |
| 3    | 1   | Assembly kit  |

### Order Information

| Description  | Part no.  |
|--------------|-----------|
| Cable holder | 24575-800 |



02908052



For further information [www.schroff.biz/oneclick](http://www.schroff.biz/oneclick)  
oneClick search code = Part no.

# Desk-top enclosure - *propac*PRO

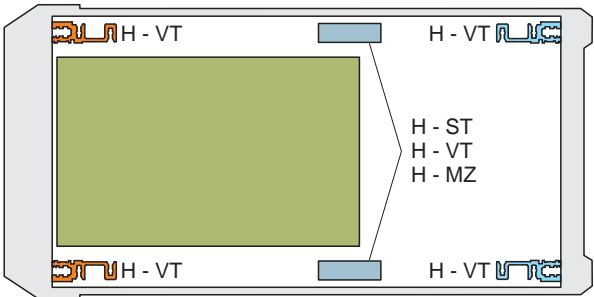
## Mounting position horizontal/central rails

2 U



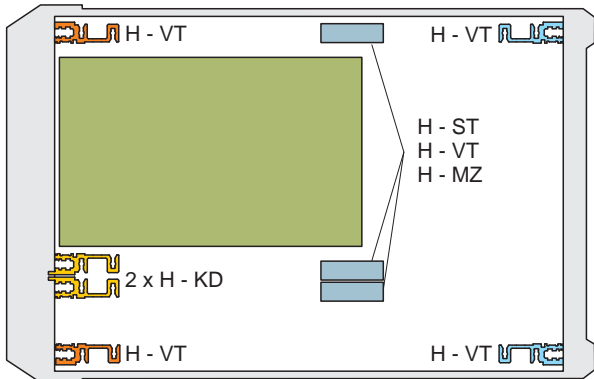
05806084

3 U



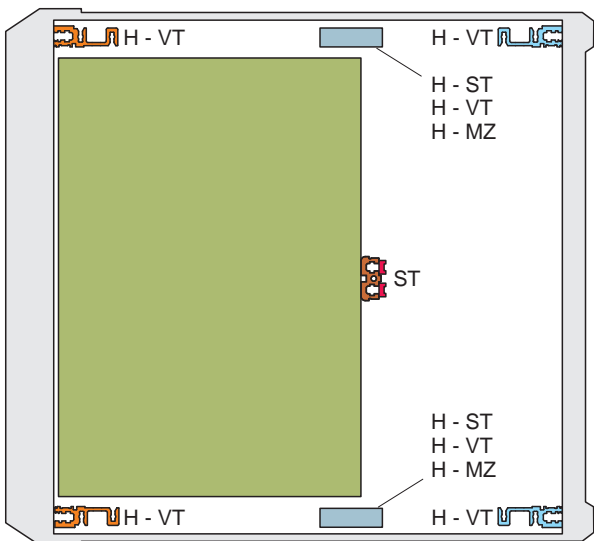
05806085

4 U (3 + 1)

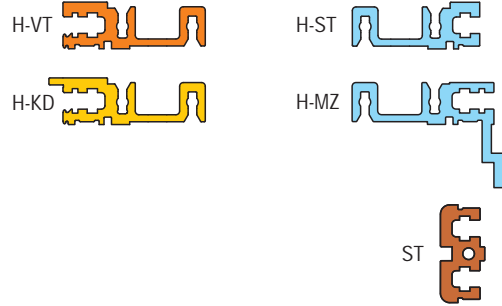


05806086

6 U

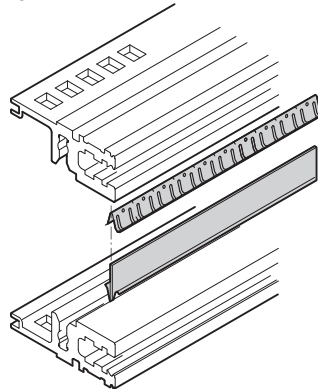


05806087



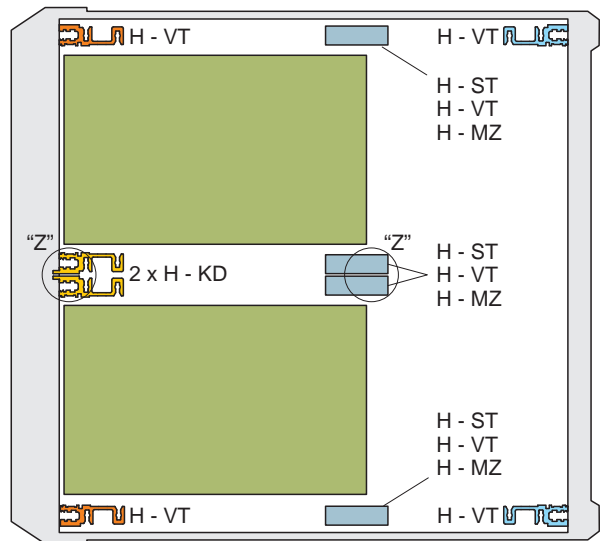
05809050

"Z" (EMC shielding with 2 horizontal rails)



06106051

6 U (2 x 3)




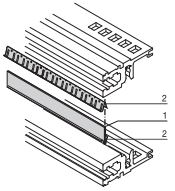
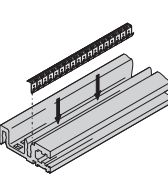






05806088

# Desk-top enclosure - *propac*PRO

## Horizontal rails to front/centre/rear

### Order Information

|   |                  | For indirect backplane fixing with insulation strip  | For direct backplane fixing  | For direct fixing of connectors in accordance with EN 60603-2 (DIN 41612)                      | Front horizontal rails   | Stainless steel EMC gasket between horizontal rail and horizontal rail   | Horizontal rail type H-VT robust, with EMC gasket  |
|---|------------------|--|--|--|--|--|--|
|   |                  | <br>06197011  | <br>06197011  | <br>06197011  |  | <br>bza45877  | <br>06106052        |
|   |                  | <b>"heavy" Type H-ST standard</b>  | <b>"heavy" Type H-VT long lip</b>  | <b>"heavy" Type H-MZ with Z-rail</b>   | <b>"heavy" Type H-KD short lip</b>   |  |  |
|   |                  | <br>06197011 | <br>06197009 | <br>06197015 | <br>06197008 |  |  |
|   |                  | Al extrusion, anodised finish, conductive surface, with printed HP markings                    | Al extrusion, anodised finish, conductive surface, with printed HP markings                    | Al extrusion, anodised finish, conductive surface, with printed HP markings                    | Al extrusion, anodised finish, conductive surface, with printed HP markings                      | item 1: metal strip, Al, 1 mm,<br>item 2: EMC stainless steel gasket; for shielding of 2 horizontal rails positioned directly one above the other if assembly area is divided vertically | horizontal rail: Al extrusion, anodised, conductive contact surface for cover plates on shielded cases |
| <b>Usable length HP</b>   | <b>Length mm</b> | <b>1 piece (SPQ 10)<sup>1)</sup></b>   | <b>1 piece (SPQ 10)<sup>1)</sup></b>   | <b>1 piece (SPQ 10)<sup>1)</sup></b>   | <b>1 piece (SPQ 10)<sup>1)</sup></b>   | <b>PU 1 kit</b>  | <b>1 piece</b>   |
| 28  | 147.32           | 34560-528  | 34560-728  | 34560-928  | 34560-228  | 24562-528  | 24576-028  |
| 42  | 218.44           | 34560-542  | 34560-742  | 34560-942  | 34560-242  | 24562-542  | 24576-042  |
| 63  | 325.12           | 34560-563  | 34560-763  | 34560-963  | 34560-263  | 24562-563  | 24576-063  |
| 84  | 431.80           | 34560-584  | 34560-784  | 34560-984  | 34560-284  | 24562-584  | 24576-084  |
| Torx panhead screw , M4 × 14, St, zinc-plated, PU 100 pieces  |                  | 24571-371  | 24571-371  | 24571-371  | 24571-371  | –  | 24571-371  |
| Torx panhead screw , M 4 × 10, St, zinc-plated, necessary if guide rail is screwed to slot 1, PU 100 pieces |                  | –  | –  | 24571-372  | 24571-372  | –  | 24571-372  |
| Perforated rail for connector mounting with insulation strip see page                                       |                  | 5.69   | –  | –  | –  | –  | –  |
| Z-rail for connector mounting without insulation strip see page   |                  | 5.69   | –  | –  | –  | –  | –  |
| Insulation strips see page  |                  | –  | 5.68   | –  | –  | –  | –  |
| Threaded inserts see page   |                  | 5.68   | 5.68   | 5.68   | 5.68   | –  | –  |

1) SPQ (standard pack quantity): Order number includes 1 piece, but delivery is exclusively made in standard pack quantity (SPQ); please order at least the SPQ quantity or a multiple thereof

### Note

- Further horizontal rails see from page 6.27
- Fitting options see page 5.66

# Desk-top enclosure - *propacPRO*

## Horizontal rails, centre, type ST-C


- For indirect backplane mounting (with insulation strip)
- For 6 U propacPRO case

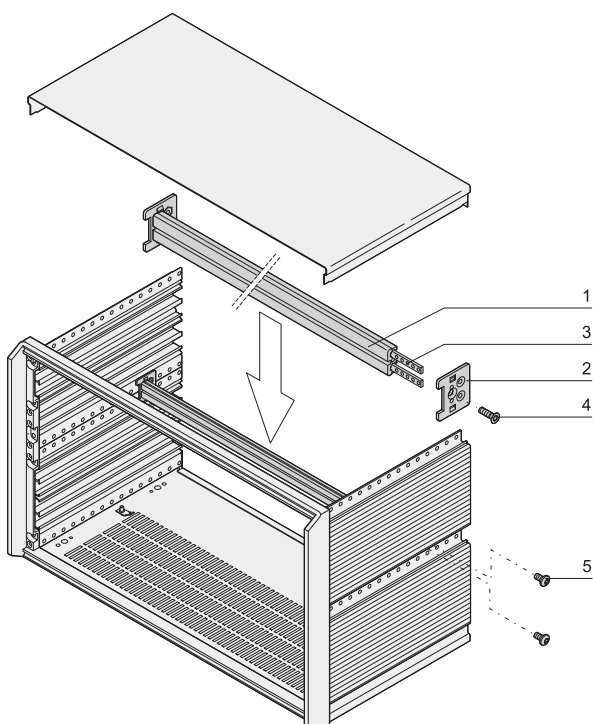
**Delivery comprises** (kit, item 1 to 4 are pre-mounted)

| Item | Qty | Description  |
|------|-----|--|
| 1    | 1   | Horizontal rail, Al extrusion, anodised, contact surfaces conductive |
| 2    | 2   | Adaptor plate, Al  |
| 3    | 2   | Threaded insert, M2.5, St, zinc-plated                               |
| 4    | 2   | Countersunk screw, M4 x 14   |
| 5    | 4   | Pan head screw, M4 x 6   |

### Order Information

| Usable width  | Length | Part no.  |
|---|--------|-----------|
| HP  | mm     |           |
| 84  | 431.8  | 24575-474 |
| Insulation strip 84 HP, PBT UL 94 V-0, grey, PU 10 pieces |        | 24560-884 |

 For further information [www.schroff.biz/oneclick](http://www.schroff.biz/oneclick)  
oneClick search code = Part no.



05806089

## Threaded inserts, perforated strips, insulation strips

### Order Information

| Usable length HP | Threaded insert |                                | Perforated strip (item 1)      |           | Insulation strip               |           |              |
|------------------|-----------------|--------------------------------|--------------------------------|-----------|--------------------------------|-----------|--------------|
|                  | Length mm       | 1 piece (SPQ 10) <sup>1)</sup> | 1 piece (SPQ 10) <sup>1)</sup> | Length mm | 1 piece (SPQ 10) <sup>1)</sup> | Length mm | PU 10 pieces |
| 28               | 146.82          | 34561-328                      | –                              | 147.12    | 30845-197                      | 144.20    | 24560-828    |
| 42               | 217.94          | 34561-342                      | –                              | 218.24    | 30845-211                      | 210.40    | 24560-842    |
| 63               | 324.62          | 34561-363                      | –                              | 324.92    | 30845-232                      | 316.88    | 24560-863    |
| 84               | 431.30          | 34561-384                      | 34561-484                      | 431.60    | 30845-253                      | 428.64    | 24560-884    |

### Accessories

|                                    |           |           |   |           |   |
|------------------------------------|-----------|-----------|---|-----------|---|
| Grub screw M2.5 x 8, PU 100 pieces | 21100-276 | –         | – | –         | – |
| Grub screw M2.5 x 9, PU 100 pieces | –         | –         | – | 21101-359 | – |
| Grub screw M3 x 8, PU 100 pieces   | –         | 21100-646 | – | –         | – |

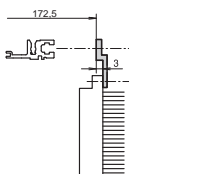
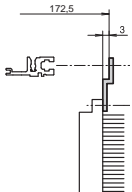
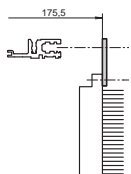
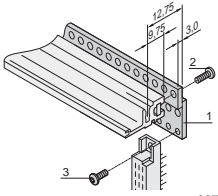
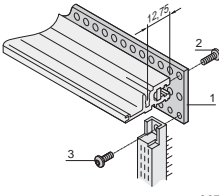
1) SPQ (standard pack quantity): Order number includes 1 piece, but delivery is exclusively made in standard pack quantity (SPQ); please order at least the SPQ quantity or a multiple thereof

2) Part no. includes one packing unit (PU); delivery is exclusively made in PU

# Desk-top enclosure - *propacPRO*

## Z-rails, perforated rails

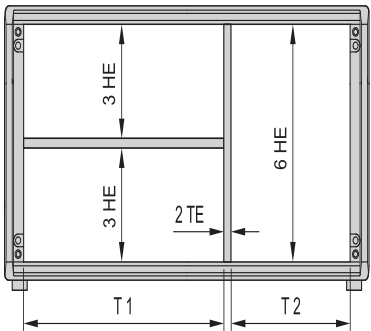
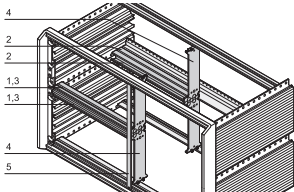
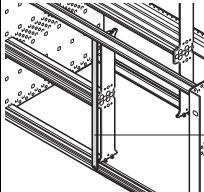
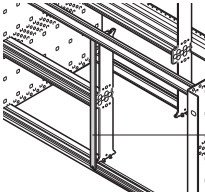
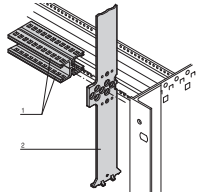
### Order Information

|   |               | <b>Z-rail for connectors</b>   |  | <b>Perforated rail</b>   |
|---|---------------|--|--|--|
|   |               | <b>DIN EN 60603-2, DIN 41612<br/>item 1</b>  | <b>31-pin, DIN 41617</b>   | <b>EN 606032, DIN 41612<br/>item 1</b>   |
|   |               |  <p style="text-align: right;">BZA45849</p>   |  <p style="text-align: right;">BZA45850</p> |  <p style="text-align: right;">BZA45848</p> |
|   |               |  <p style="text-align: right;">06708063</p>   |  |  |
|   |               |  <p style="text-align: right;">06708051</p> |  |  |
|   |               | for connector mounting on<br>ST horizontal rails,<br>please order threaded insert and<br>screw separately                      | for connector mounting on<br>ST horizontal rails,<br>please order threaded insert and<br>screw separately                      | for connector mounting on<br>VT horizontal rails,<br>please order threaded insert and<br>screw separately                      |
| <b>Usable length</b>  | <b>Length</b> | <b>1 piece</b>   | <b>1 piece</b>   | <b>PU 4 pieces</b>   |
| <b>HP</b>   | <b>mm</b>     |  |  |  |
| 28  | 142.24        | 30822-033  | -  | 20822-049  |
| 42  | 213.36        | 30822-047  | -  | 20822-050  |
| 60  | 304.80        | 30822-065  | 30819-783  | 20822-047  |
| 84  | 426.70        | 30822-089  | 30819-808  | 20822-048  |
| Item 3, Torx panhead screw<br>to fix connector to perforated rail,, M2.5 x 7,<br>PU 100 pieces        |               | 24560-147  | 24560-147  | 24560-147  |
| Item 2, Torx panhead screw,<br>to fix perforated rail to horizontal rail, M2.5 x 10,<br>PU 100 pieces |               | 24560-148  | 24560-148  | 24560-148  |

# Desk-top enclosure - *propacPRO*

Combined mounting (6 U and 2 x 3 U one above the other)

## Order Information

| <br>05806108   | <b>Combined mounting</b>   |   |  |  |
|--|--|---|--|--|
|  | <b>Horizontal and vertical subdivision (incl. front panel for stainless steel EMC gasket)</b><br><br>bza45819 | <b>Unshielded front panel, 6 U, 2 HP item 5</b><br><br>06102501 | <b>Front panel for textile EMC gasket, 6 U, 2 HP item 5</b><br><br>06102501 | <b>Splitting extrusion for combined mounting item 2</b><br><br>06102501 |
| item 1: 2 front horizontal rails (H-KD), Al extrusion, anodised;<br>item 2: 2 rear horizontal rails (AB), Al extrusion, anodised;<br>item 3: threaded insert, St, zinc-plated;<br>item 4: Zn die-cast support member;<br>item 5: front panel 2 HP, 6 U, shielded;<br>with EMC stainless steel gasket;<br>84:0 without items 4, 5 | <b>Al, 2.5 mm, front anodised, rear iridescent green chromated</b>   | <b>Al, 2.5 mm, U-profile with notch, 6 U, 2 HP</b>  | <b>6 U, Zn die-cast; splitting extrusion is inserted in the grid holes of the horizontal rail; the splitting extrusion can be bolted</b>                       |  |
| <b>Width pitch T1:T2</b><br><b>HP</b>  | <b>PU 1 kit</b>  | <b>1 (SPQ 5)</b>  | <b>1 piece (SPQ 5)<sup>1)</sup></b>  | <b>1 piece</b>   |
| 20:62  | 24562-420  |   |  |  |
| 40:42  | 24562-440  |   |  |  |
| 42:40  | 24562-442  | 30847-472   | 30849-140  | 64560-010  |
| 63:19  | 24562-463  |   |  |  |
| 84:0   | 24562-484  |   |  |  |
| Torx countersunk screw<br>M4 x 14, zinc-plated, PU 100 pieces<br>for fixing splitting extrusion/horizontal rail  | –  | –   | –  | 24560-145  |
| Panhead screw<br>M2.5 x 10, St, zinc-plated, PU 100 pieces<br>for fixing horizontal rail/splitting extrusion   | –  | –   | –  | 24560-179  |
| Pozidrive/slotted collar screw<br>M2.5 x 12.3, St, nickel-plated, PU 100 pieces  | –  | 21101-101   | 21101-101  | –  |
| Pozidrive/slotted collar screw<br>M2.5, black, zinc-plated, PU 100 pieces  | –  | 21101-102   | 21101-102  | –  |
| Washer<br>2.7 x 5 x 1, plastic PA 6, PU 100 pieces   | –  | 21101-121   | 21101-121  | –  |
| Textile gasket, core: foam,<br>sleeve: textile cladding with CuNi coating,<br>UL 94 V-0, PU 10 pieces  | –  |   | 21101-855  |  |

- Subdivision of the 6 U assembly area into:
  - 2 x 3 U
  - 1 x 6 U

- Designed to accept euroboards (100 mm high) and double euroboards (233.35 mm high)

### Note

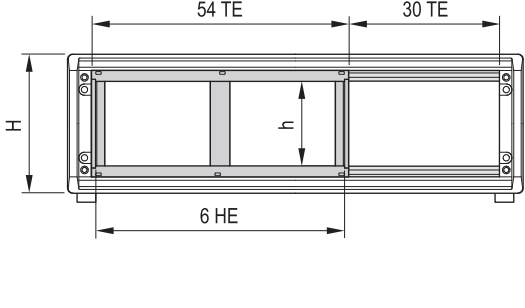
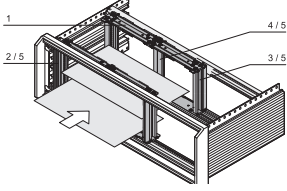
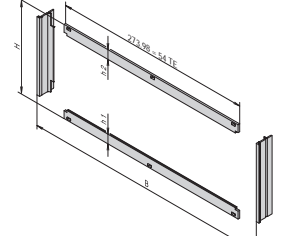
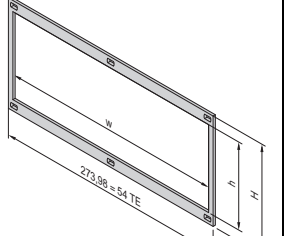



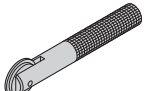
- Please order EMC gasketing kit for horizontal rails separately, see page 6.54
- Please order perforated strips for horizontal rails separately, see page 5.68
- Please order rear centre horizontal rail separately, see page 5.68



# Desk-top enclosure - *propac*PRO

## Horizontal board mounting

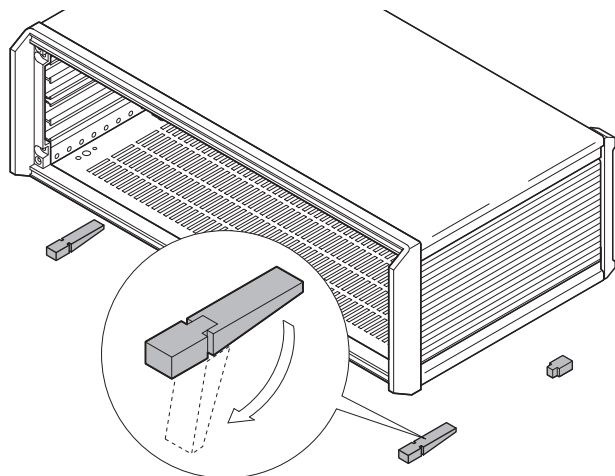
### Order Information

| <br><small>05806092</small>  |                       |  | Horizontal board mounting |                               |                              |          |           |  |                        |                       |  |  |  |
|---|-----------------------|--|---------------------------|-------------------------------|------------------------------|----------|-----------|--|------------------------|-----------------------|--|--|--|
|   |                       |  | Board cage                | Front frame for EMC gasketing | Front frame, unshielded      |          |           |  |                        |                       |  |  |  |
| <p>(1 TE = 1 HP, 1 HE = 1 U)</p> <table style="width: 100%; border-collapse: collapse;"> <tr> <th style="text-align: left;">Height H</th> <th style="text-align: left;">Usable height h</th> <th style="text-align: left;">Other dimensions and options</th> </tr> <tr> <td style="text-align: center;"><b>U</b></td> <td style="text-align: center;"><b>HP</b></td> <td> <table style="width: 100%; border-collapse: collapse;"> <tr> <th style="text-align: left;">Horizontal rail, front</th> <th style="text-align: left;">Horizontal rail, rear</th> </tr> </table> </td> </tr> </table> |                       |  | Height H                  | Usable height h               | Other dimensions and options | <b>U</b> | <b>HP</b> | <table style="width: 100%; border-collapse: collapse;"> <tr> <th style="text-align: left;">Horizontal rail, front</th> <th style="text-align: left;">Horizontal rail, rear</th> </tr> </table> | Horizontal rail, front | Horizontal rail, rear | <br><small>05806091</small> <p style="font-size: small;">Struts die-cast zinc; horizontal rails front and rear; threaded insert, St, zinc-plated; fixing material kit; for horizontal mounting of double-height euroboards in 3 or 4 U high subracks/cases; 54 HP space required; <b>please order front frame for EMC gasketing separately</b></p> <p style="text-align: center;"><b>PU 1 kit</b></p> | <br><small>bpa45913</small> <p style="font-size: small;">2 horizontal trims, Al 2.5 mm, front anodised, rear iridescent green chromated; 2 vertical trims, Al extrusion, clear passivated; stainless steel EMC gasket; front frame forms the contact between subrack and the sub-assemblies</p> <p style="text-align: center;"><b>PU 1 kit</b></p> | <br><small>bza43061</small> <p style="font-size: small;">Al, 2.5 mm, clear anodised; front frame with cut-out, clear internal width w = 266.35 mm</p> <p style="text-align: center;"><b>1 piece</b></p> |
|   |                       |  | Height H                  | Usable height h               | Other dimensions and options |          |           |  |                        |                       |  |  |  |
| <b>U</b>  | <b>HP</b>             | <table style="width: 100%; border-collapse: collapse;"> <tr> <th style="text-align: left;">Horizontal rail, front</th> <th style="text-align: left;">Horizontal rail, rear</th> </tr> </table> | Horizontal rail, front    | Horizontal rail, rear         |                              |          |           |  |                        |                       |  |  |  |
| Horizontal rail, front  | Horizontal rail, rear |  |                           |                               |                              |          |           |  |                        |                       |  |  |  |
| 3   | 20                    |   | 24564-117                 | 24564-109                     | 34564-108                    |          |           |  |                        |                       |  |  |  |
| 3   | 20                    |   | 24564-118                 | 24564-109                     | 34564-109                    |          |           |  |                        |                       |  |  |  |
| 4   | 28                    |   | 24564-217                 | 24564-209                     | 34564-208                    |          |           |  |                        |                       |  |  |  |
| Assembly tool, for mounting the EMC gasket (stainless steel)   |                       |  | -                         | 24560-270                     | -                            |          |           |  |                        |                       |  |  |  |

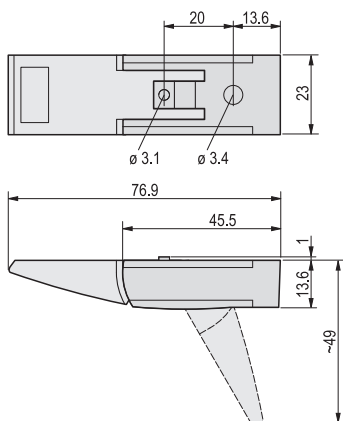
\* For direct backplane mounting

## Desk-top enclosure - *propac*PRO

### Plastic tip-up feet



05806093



02906050

- Static load-carrying capacity 25 kg per foot
- Tip-up feet can be used instead of the pre-mounted case feet
- Fixing holes provided in bottom of case

#### Delivery comprises (kit)

| Item | Qty | Description                  |
|------|-----|------------------------------|
| 1    | 4   | Foot, PA, UL 94 V-0          |
| 2    | 4   | Anti-slip protection, TPE    |
| 3    | 2   | Tip-up device, PA, UL 94 V-0 |
| 4    | 1   | Assembly kit                 |

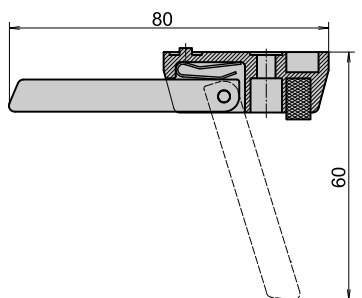
#### Order Information

| Description   |   | Part no.  |
|---|---|-----------|
| Plastic tip-up foot   | anthracite, similar to RAL 7016, 4 pieces | 20603-002 |
| Plastic tip-up foot   | silver, similar to RAL 9006, 4 pieces     | 20603-001 |
| <b>Cheesehead screw with slot</b> M4 × 12, St, zinc-plated, PU 100 pieces |   | 21101-211 |
| <b>Hexagon nut</b> M4, St, zinc-plated, PU 100 pieces                     |   | 21100-211 |
| <b>Spring washer</b> A4, St, zinc-plated, PU 100 pieces                   |   | 21100-207 |

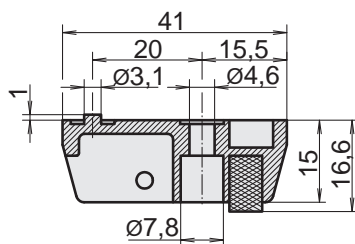


For further information [www.schroff.biz/oneclick](http://www.schroff.biz/oneclick)  
oneClick search code = Part no.

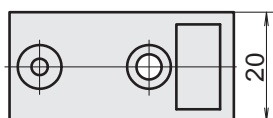
### Tip-up feet made of die-cast aluminium



AZA43836



02908051



- Can be used instead of the round standard feet
- Fixing holes provided in bottom of case
- Secure case stance with slip-proof rubber inserts
- Load carrying capacity: 50 kg per foot, max. case weight 40 kg

#### Order Information

| Description   | Qty                            | Part no.  |
|---|--------------------------------|-----------|
| Foot with tip-up, Al die-cast, silver                                     | 1 piece (SPQ 10) <sup>1)</sup> | 10603-002 |
| Foot without tip-up, Al die-cast, silver                                  | 1 piece (SPQ 10) <sup>1)</sup> | 10603-001 |
| <b>Cheesehead screw with slot</b> M4 × 12, St, zinc-plated, PU 100 pieces |                                | 21101-211 |
| <b>Hexagon nut</b> M4, St, zinc-plated, PU 100 pieces                     |                                | 21100-211 |
| <b>Spring washer</b> A4, St, zinc-plated, PU 100 pieces                   |                                | 21100-207 |

1) Part no. comprises 1 piece;  
delivery is in standard pack quantity (SPQ);  
please order a minimum of 10 feet or a multiple

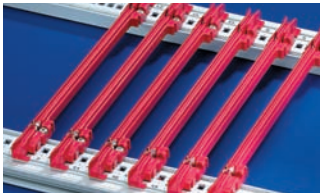
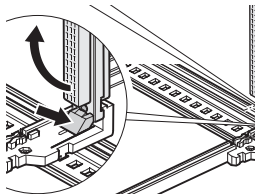
#### Note

- Delivery is in standard pack multiples;  
pricing is per individual item

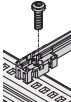
# Desk-top enclosure - *propacPRO*

Guide rails for plug-in units and frame type plug-in units, one-piece, groove width 2 mm

## Order Information

| <b>Assembly</b><br>- can be clipped into Al extruded horizontal rails<br>- can be clipped into 1.5 mm thick plates<br><br><b>Storage temperature</b><br>from -40 °C ... 130 °C |                     |               | For plug-in units and frame type plug-in units   |   |
|--|---------------------|---------------|--|---|
|  |                     |               | <b>Standard</b><br><br><br><br>up to 220 mm length, PBT, UL 94 V-0;<br>multi-piece from 280 mm length,<br>end piece PBT, UL 94 V-0,<br>central section Al extrusion | <b>With DIN connector fixing as standard</b><br><br><br><br>PBT, UL 94 V-0, red,<br>connector is clipped directly onto the guide rails;<br>for euroboards, 100 x 160 mm or 100 x 220 mm only |
| <b>Board lengths</b>   | <b>Groove width</b> | <b>Colour</b> | <b>PU 10 pieces</b>  | <b>1 pair (SPQ 10)<sup>1)</sup></b>   |
| mm   | mm                  | mm            |  |   |
| 70   | 2                   | red           | –  | –   |
| 70   | 2                   | grey          | –  | –   |
| 160  | 2                   | red           | 24560-351  | 64560-074   |
| 220  | 2                   | red           | 24560-353  | 64560-075   |
| 280  | 2                   | red           | 24560-379  | –   |
| 340  | 2                   | red           | 24560-380  | –   |
| Dimension drawings see page  |                     |               | 6.40   | 6.40  |

## Accessories

|   |   |           |           |
|---|---|-----------|-----------|
| Retention screw, PU 100 pieces                      |  | 24560-141 | 24560-141 |
| ESD clip, PU 50 pieces<br>description see page 6.41 |   | 24560-255 | 24560-255 |

1) SPQ (standard pack quantity): Order number includes 1 piece, but delivery is exclusively made in standard pack quantity (SPQ); please order at least the SPQ quantity or a multiple thereof

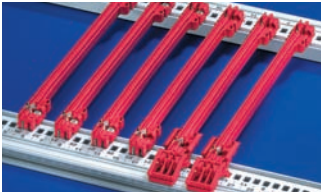
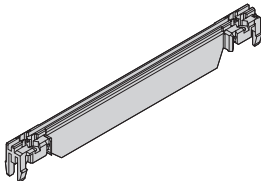
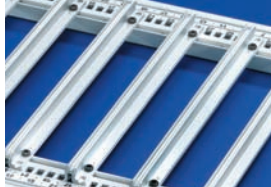
2) Part no. includes one packing unit (PU); delivery is exclusively made in PU

Further guide rails see page 6.35

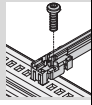
# Desk-top enclosure - *propac* PRO

Guide rails type "accessories", one-piece, groove width 2 mm and 2.5 mm

## Order Information

| Assembly   |                 |                | Guide rails<br>"Accessories"   | Guide rails<br>"Accessories" strengthened  | Guide rails<br>for heavy modules,<br>Al extrusion, silver,<br>robust version   |
|--|-----------------|----------------|--|--|--|
| - can be clipped into horizontal rails in Al extrusion<br>- can be clipped into 1.5 mm thick plates<br><br><b>storage temperature</b><br>from -40 °C ... +130 °C |                 |                |  <p>up to 280 mm length, PBT, UL 94 V-0; multi-piece from 280 mm length, end piece PBT, UL 94V-0, middle section Al extrusion</p> |  <p>PBT UL 94 V-0, red support beam of guide rails adds to strengthening</p> |  <p>Al extrusion; is screwed to horizontal rail "heavy" with retention screws</p> |
| Board lengths mm   | Groove width mm | Colour mm      | PU 10 pieces   | 1 piece (SPQ 50)   | 1 piece (SPQ 50) <sup>1)</sup>   |
| 100  | 2               | red            | –  | –  | –  |
| 160  | 2               | red            | 24560-373  | 64560-076  | –  |
| 160  | 2               | grey           | –  | –  | 34562-881  |
| 220  | 2               | red            | 24560-374  | 64560-078  | –  |
| 220  | 2               | grey           | –  | –  | 34562-882  |
| 280  | 2               | red/<br>silver | 24560-375  | 64560-080  | 34562-883  |
| 340  | 2               | red/<br>silver | 24560-376  | –  | 34562-884  |
| 400  | 2               | silver         | –  | –  | 34562-885  |
| 160  | 2.5             | silver         | –  | –  | 34564-881  |
| 220  | 2.5             | silver         | –  | –  | 34564-882  |
| 280  | 2.5             | silver         | –  | –  | 34564-883  |
| 340  | 2.5             | silver         | –  | –  | 34564-884  |
| 400  | 2.5             | silver         | –  | –  | 34564-885  |
| Dimension drawings see page  |                 |                | 6.40   | 6.40   | 6.40   |

## Accessories

|  |   |           |           |           |
|--|---|-----------|-----------|-----------|
| Retention screw, PU 100 pieces   |  | 24560-141 | 24560-141 | 24560-157 |
| ESD clip, PU 50 pieces<br>description see page 6.41  |   | 24560-255 | 24560-255 | –         |
| Board locking, red, PU 10 pieces,<br>description see page 6.41                                     |   | 24560-377 | 24560-377 | –         |
| Board handle, red, PU 10 pieces,<br>description see page 6.41                                      |   | 24560-378 | 24560-378 | –         |
| Identification strips for board handle, red, PU 1 sheet = 438 pieces,<br>description see page 6.41 |   | 60817-228 | 60817-228 | –         |
| Coding see page  |   | 6.41      | 6.41      | –         |

1) SPQ (standard pack quantity): Order number includes 1 piece, but delivery is exclusively made in standard pack quantity (SPQ); please order at least the SPQ quantity or a multiple thereof

2) Part no. includes one packing unit (PU); delivery is exclusively made in PU

Further guide rails see page 6.35

# Desk-top enclosure - *propac*PRO

## Divider plate

### Order Information

|          |           |           |           |           | Divider plate   |   |
|----------|-----------|-----------|-----------|-----------|---|---|
|          |           |           |           |           | Mounting position when stainless steel EMC gasket is used   | Mounting position when textile EMC gasket is used |
|          |           |           |           |           |   |   |
| Height   | Depth     | A         | B         | H         | Stainless steel, 1 mm, is mounted by clipping onto horizontal rail, space requirement on component side 2 mm; mounting direction varies with shielding design (EMC stainless steel or textile gasket); retrofitting the divider plate in an already-assembled subrack/case will first require dismantling of the horizontal rails; where front panels are unshielded, both mounting directions are possible |   |
| <b>U</b> | <b>mm</b> | <b>mm</b> | <b>mm</b> | <b>mm</b> | <b>PU 10 pieces</b>   |   |
| 3        | 160       | 158.3     | 135.0     | 113.5     | 34562-761   |   |
| 3        | 220       | 218.3     | 195.0     | 113.5     | 34562-762   |   |
| 6        | 160       | 158.3     | 135.0     | 246.9     | 34562-763   |   |
| 6        | 220       | 218.3     | 195.0     | 246.9     | 34562-764   |   |

## Air baffle for slots

### Order Information

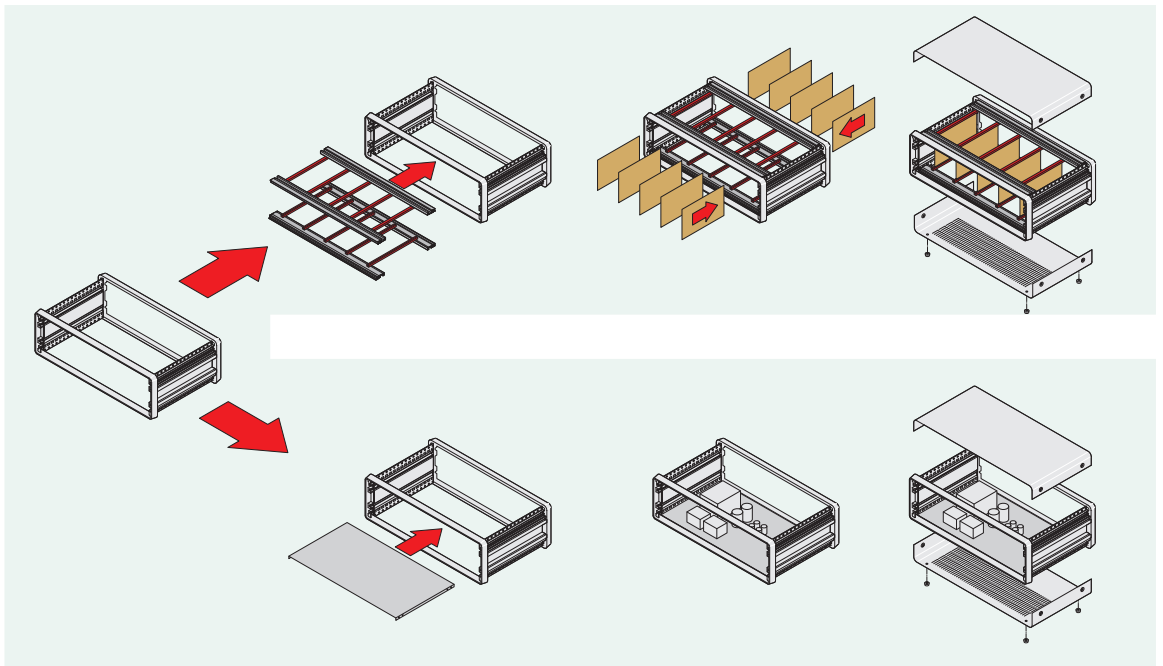
|              |              |               | Air baffle without front panel   | Air baffle with front panel |
|--------------|--------------|---------------|--|-----------------------------|
|              |              |               | U front panel for textile EMC gasket   |                             |
|              |              |               |  |                             |
|              |              |               | Al, 1 mm, incl. assembly kit; prevents an air short circuit in unoccupied slot positions; is pushed into the groove of the guide rails   |                             |
|              |              |               |  |                             |
|              |              |               | Air deflector, Al, 1 mm, front panel, Al extrusion, 2.5 mm, front anodised, rear conductive; EMC textile gasket, fixing materials kit prevents an air short-circuit where slots are unoccupied; is pushed into the groove of the guide rails |                             |
| <b>Depth</b> | <b>Width</b> | <b>Height</b> | <b>1 piece</b>   |                             |
| <b>mm</b>    | <b>HP</b>    | <b>U</b>      | <b>1 piece</b>   |                             |
| 160          | 4            | 3             | <b>34562-823</b>   | <b>20848-728</b>            |
| 160          | 4            | 6             | <b>34562-826</b>   | <b>20848-736</b>            |
| 160          | 8            | 3             | <b>34562-833</b>   | <b>20848-730</b>            |
| 160          | 8            | 6             | <b>34562-836</b>   | <b>20848-738</b>            |
| 160          | 12           | 3             | <b>34562-843</b>   | <b>20848-732</b>            |
| 160          | 12           | 6             | <b>34562-846</b>   | <b>20848-740</b>            |
| 220          | 4            | 3             | <b>34562-824</b>   | <b>20848-729</b>            |
| 220          | 4            | 6             | <b>34562-827</b>   | <b>20848-736</b>            |
| 220          | 8            | 3             | <b>34562-834</b>   | <b>20848-731</b>            |
| 220          | 8            | 6             | <b>34562-837</b>   | <b>20848-739</b>            |
| 220          | 12           | 3             | <b>34562-844</b>   | <b>20848-733</b>            |
| 220          | 12           | 6             | <b>34562-847</b>   | <b>20848-741</b>            |

- Overview ..... 0
- Cabinets ..... 1
- Wall mounted cases ..... 2
- Accessories for cabinets and wall mounted cases 3
- Climate control 4
- Desk-top cases 5**
- Subracks/ 19" chassis ... 6
- Front panels, plug-in units .. 7
- Systems ..... 8
- Power supply units ..... 9
- Backplanes .. 10
- Connectors, front panel component system ..... 11
- Appendix .... 12

Desk-top cases - *compacPRO*



02004009



Flexible expansion options, for 19" components e.g. plug-in unit units, or for individual expansion

02004079

**Standards**

- Interior dimensions in accordance with: IEC 60297-3-101
- Type of protection IP 20 in accordance with IEC 60529
- GND/earth connections in accordance with:
  - DIN EN 50178 / VDE 0160
  - DIN EN 60950 / VDE 0805
  - DIN EN 61010-1 / VDE 0411 part 1
  - DIN EN 61010-1A2 / VDE 0411 part 1/A12



Downloads and further important information can be found on the Internet under [www.schroff.biz](http://www.schroff.biz)

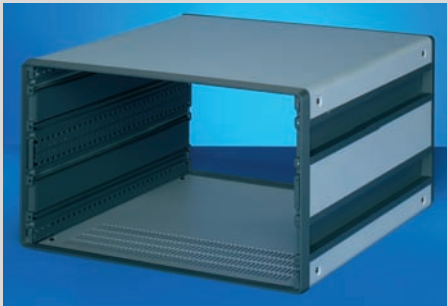
## Robust desk-top case for 19" components in accordance with IEC 60297-3-10x or for individual electronics assemblies

- Front and rear identical, depth-symmetrical construction
- Highly robust thanks to die-cast frame (front/rear)
- Side panel with integrated handle function



### Desk-top cases

- **Complete case**
  - Pre-configured case, prepared for 19" components
  - Case height 3 U and 6 U



02009005 02004006

- **Case**
  - Case height 2 U, 3 U, 4 U and 6 U



02004002

### Extensive accessory range

### compactPRO

**Complete cases**  
 3, 6 U ..... 5.78  
 Cases 2, 3, 4 U .. 5.79  
 6 U cases ..... 5.80

### Accessories

Filler angle ..... 5.81  
 Cable holder .... 5.81  
 Front panel/rear panel ..... 5.82  
 Rear feet ..... 5.83  
 Edge protection. 5.83  
 Hood ..... 5.84  
 Front door ..... 5.85  
 Handle ..... 5.86  
 GND/earthing ... 5.86  
 Feet ..... 5.87  
 Horizontal rail . 5.88  
 Threaded inserts 5.90  
 Guide rails and ESD clips ..... 5.92  
 Mounting plates. 5.94  
 Combined mounting ..... 5.95  
 Horizontal board assembly ..... 5.96  
 Air flow barrier .. 5.97  
 Dimensions ..... 5.98



30407004

### ServicePLUS from page 5.4

e.g. modifications (special colours, special depths, cut-outs in top cover, base plate or side panels)  
 e.g. assembly service from 1 piece

[www.schroff.biz/ServicePLUS](http://www.schroff.biz/ServicePLUS)

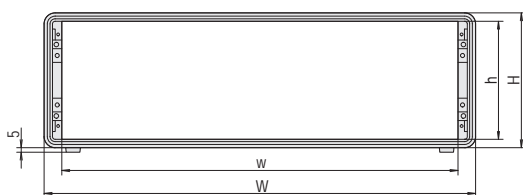
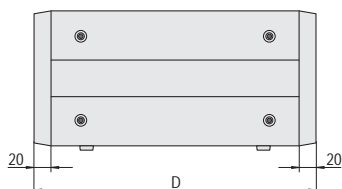
### ServicePLUS .. 5.4

## Desk-top cases - *compacPRO*

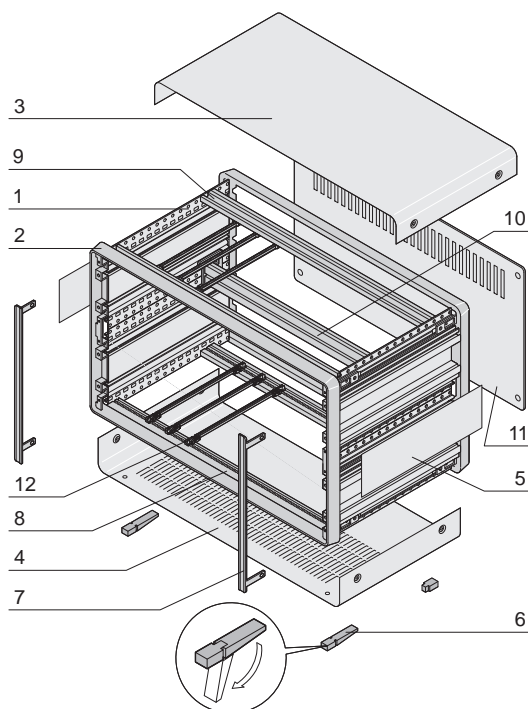
### Complete cases 3 and 6 U



02009005



02004054



02008050

- Desk-top case with pre-configured components in accordance with IEC 60297-3-101; prepared for 19" components such as plug-in units and euroboards
- For backplane mounting with insulation strips
- Ventilation slots in base plate
- Ventilation slots in rear panel

#### Delivery comprises (Kit, items 1, 2, 6, 8 fitted)

| Item | Qty       |           | Description  |
|------|-----------|-----------|--|
|      | 3 U       | 6 U       |  |
| 1    | 2         | 4         | Side panel, Al extrusion, powder-coated, RAL 7016  |
| 2    | 2         | 2         | Frame, Al die-cast, powder-coated, RAL 7016  |
| 3    | 1         | 1         | Cover plate, Al, 1.5 mm, powder-coated, RAL 9006, with GND/earthing tag  |
| 4    | 1         | 1         | Base plate with 4 rows of ventilation slots, Al, 1.5 mm, powder-coated, RAL 9006, with GND/earthing tag  |
| 5    | -         | 2         | Side plate powder-coated, RAL 9006, Al, 0.8 mm   |
| 6    | 4         | 4         | Tip-up foot with anti-slip protection, PA, RAL 7016, UL 94 V-0   |
| 7    | 2         | 2         | Cover bracket, Al extrusion, anodised, cut edges plain   |
| 8    | 2         | 2         | Horizontal rail, Al extrusion, with threaded insert, St, M2.5  |
| 9    | 2         | 2         | Rear horizontal rail, Al extrusion, with threaded insert, St, M2.5 and insulation strip, PBT, UL 94 V-0 (for indirect backplane mounting)          |
| 10   | -         | 1         | Centre horizontal rail, Al extrusion, anodised, conductive surfaces, with two threaded inserts, St, M2.5 and two insulation strips, PBT, UL 94 V-0 |
| 11   | 1         | 1         | Rear panel with 1 row of ventilation slots, Al, anodised, 2 mm for 28, 42 and 63 HP, 2.5 mm for 84 HP  |
| 12   | 10/<br>20 | 10/<br>20 | Guide rail for 160 mm board length, PBT, UL 94 V-0, 28/42 HP 10 pieces, 63/84 HP 20 pieces   |
| 13   | 1         | 1         | GND/earthing kit   |
| 14   | 1         | 1         | Assembly kit, also allows the fitting of a full-width front panel  |

#### Order Information

| U | Height H<br>mm | Width W<br>mm | Depth D<br>mm | Usable width |                  | Part no. |
|---|----------------|---------------|---------------|--------------|------------------|----------|
|   |                |               |               | w<br>HP      | w<br>mm          |          |
| 3 | 186            | 271           | 28            | 148          | <b>14575-114</b> |          |
| 3 | 186            | 331           | 28            | 148          | <b>14575-115</b> |          |
| 3 | 257            | 271           | 42            | 219          | <b>14575-134</b> |          |
| 3 | 257            | 331           | 42            | 219          | <b>14575-135</b> |          |
| 3 | 257            | 391           | 42            | 219          | <b>14575-136</b> |          |
| 3 | 364            | 271           | 63            | 326          | <b>14575-154</b> |          |
| 3 | 364            | 331           | 63            | 326          | <b>14575-155</b> |          |
| 3 | 364            | 391           | 63            | 326          | <b>14575-156</b> |          |
| 3 | 471            | 271           | 84            | 432          | <b>14575-174</b> |          |
| 3 | 471            | 331           | 84            | 432          | <b>14575-175</b> |          |
| 3 | 471            | 391           | 84            | 432          | <b>14575-176</b> |          |
| 3 | 471            | 511           | 84            | 432          | <b>14575-178</b> |          |
| 6 | 471            | 391           | 84            | 432          | <b>14575-476</b> |          |
| 6 | 471            | 451           | 84            | 432          | <b>14575-477</b> |          |

Maximum mounting depth = D - 21 (open space: front panel - rear panel)

#### Note

- Dimensions of case, side panel see from page 5.98



ServicePLUS see page 5.4



# Desk-top cases - *compacPRO*

## Cases 2, 3 and 4 U

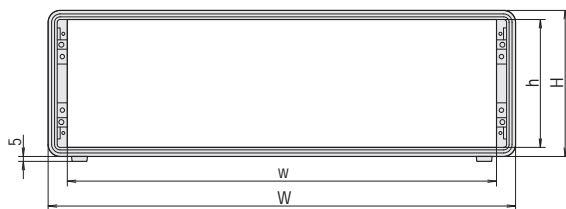
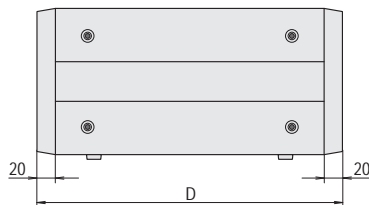


02004005

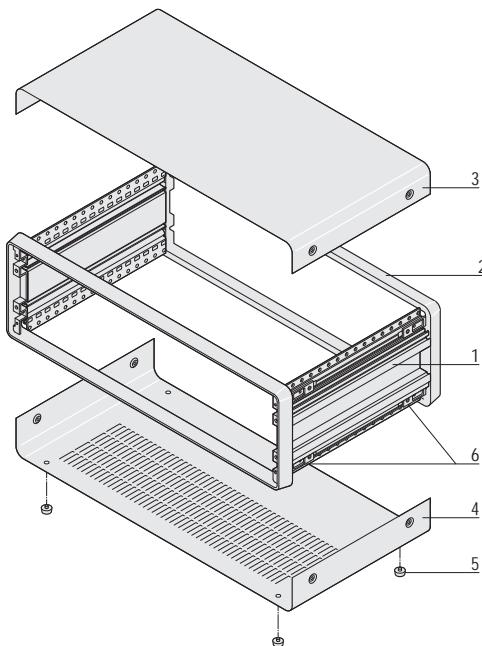
- Desk-top case, pre-configures, for individual assembly
- For backplane mounting with insulation strips
- Ventilation slots in base plate

### Delivery comprises (Kit, items 1 and 2 fitted)

| Item | Qty | Description   |
|------|-----|---|
| 1    | 2   | Side panel, Al extrusion, powder-coated, RAL 7016   |
| 2    | 2   | Frame, Al die-cast, powder-coated, RAL 7016   |
| 3    | 1   | Cover plate, Al, 1.5 mm, powder-coated, RAL 9006, with GND/earthing connection                            |
| 4    | 1   | Base plate with 4 rows of ventilation slots, Al, 1.5 mm, powder-coated RAL 9006, with earthing connection |
| 5    | 4   | Case foot with anti-slip protection, PC, black  |
| 6    | 8   | Fixing adaptor for cover plate, prefitted   |
| 7    | 1   | Assembly kit, also allows the fitting of a full-width front panel, two cover brackets or a rear panel     |



02004054



02004053

### Order Information

| Height U | Usable width HP | Width W mm | Width w mm | Height H mm | Height h mm | Depth D mm | Part no.  |
|----------|-----------------|------------|------------|-------------|-------------|------------|-----------|
| 2        | 42              | 257        | 219        | 102.6       | 84.4        | 271        | 14575-023 |
| 2        | 42              | 257        | 219        | 102.6       | 84.4        | 331        | 14575-025 |
| 2        | 42              | 257        | 219        | 102.6       | 84.4        | 391        | 14575-027 |
| 2        | 84              | 471        | 432        | 102.6       | 84.4        | 271        | 14575-063 |
| 2        | 84              | 471        | 432        | 102.6       | 84.4        | 331        | 14575-065 |
| 2        | 84              | 471        | 432        | 102.6       | 84.4        | 391        | 14575-067 |
| 3        | 28              | 186        | 148        | 147.1       | 129.3       | 271        | 14575-103 |
| 3        | 28              | 186        | 148        | 147.1       | 129.3       | 331        | 14575-105 |
| 3        | 42              | 257        | 219        | 147.1       | 129.3       | 271        | 14575-123 |
| 3        | 42              | 257        | 219        | 147.1       | 129.3       | 331        | 14575-125 |
| 3        | 42              | 257        | 219        | 147.1       | 129.3       | 391        | 14575-127 |
| 3        | 63              | 364        | 326        | 147.1       | 129.3       | 271        | 14575-143 |
| 3        | 63              | 364        | 326        | 147.1       | 129.3       | 331        | 14575-145 |
| 3        | 63              | 364        | 326        | 147.1       | 129.3       | 391        | 14575-147 |
| 3        | 84              | 471        | 432        | 147.1       | 129.3       | 271        | 14575-163 |
| 3        | 84              | 471        | 432        | 147.1       | 129.3       | 331        | 14575-165 |
| 3        | 84              | 471        | 432        | 147.1       | 129.3       | 391        | 14575-167 |
| 3        | 84              | 471        | 432        | 147.1       | 129.3       | 451        | 14575-169 |
| 3        | 84              | 471        | 432        | 147.1       | 129.3       | 511        | 14575-171 |
| 4        | 42              | 257        | 219        | 191.6       | 173.8       | 271        | 14575-223 |
| 4        | 42              | 257        | 219        | 191.6       | 173.8       | 331        | 14575-225 |
| 4        | 63              | 364        | 326        | 191.6       | 173.8       | 271        | 14575-243 |
| 4        | 63              | 364        | 326        | 191.6       | 173.8       | 331        | 14575-245 |
| 4        | 63              | 364        | 326        | 191.6       | 173.8       | 391        | 14575-247 |
| 4        | 84              | 471        | 432        | 191.6       | 173.8       | 331        | 14575-265 |
| 4        | 84              | 471        | 432        | 191.6       | 173.8       | 391        | 14575-267 |
| 4        | 84              | 471        | 432        | 191.6       | 173.8       | 451        | 14575-269 |
| 4        | 84              | 471        | 432        | 191.6       | 173.8       | 511        | 14575-271 |



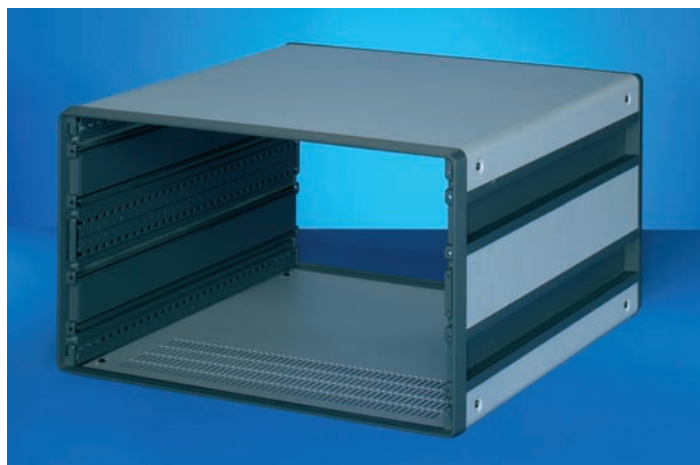
For further information [www.schroff.biz/oneclick](http://www.schroff.biz/oneclick)  
oneClick search code = Part no.



ServicePLUS see page 5.4

## Desk-top cases - *compacPRO*

### 6 U cases

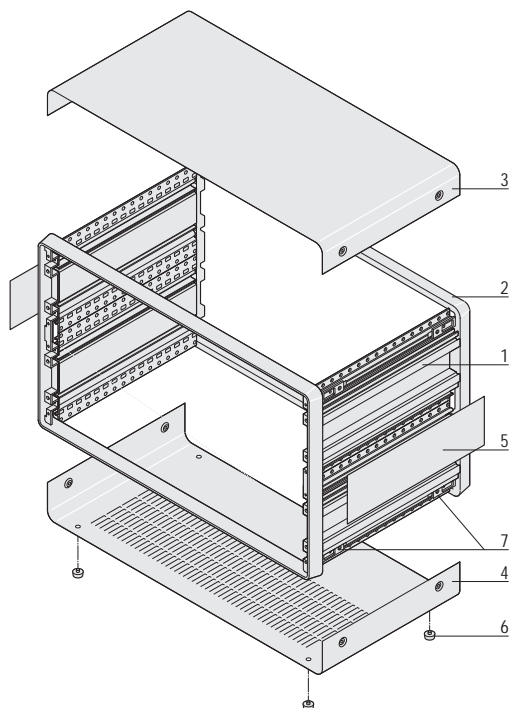


02004006

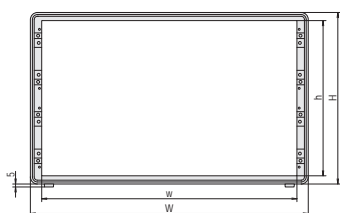
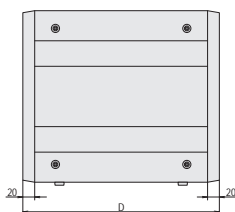
- Desk-top case, pre-configured, for individual assembly
- For backplane mounting with insulation strips
- Ventilation slots in base plate

**Delivery comprises** (Kit items 1, 2 and 5 fitted)

| Item | Qty | Description   |
|------|-----|---|
| 1    | 4   | Side panel parts, Al extrusion, powder-coated, RAL 7016, 2 x 3 U  |
| 2    | 2   | Frame, Al die-cast, powder-coated, RAL 7016   |
| 3    | 1   | Cover plate, Al, 1.5 mm, powder-coated, RAL 9006, with GND/earthing tag                                 |
| 4    | 1   | Base plate with 4 rows of ventilation slots, Al, 1.5 mm, powder-coated, RAL 9006, with GND/earthing tag |
| 5    | 2   | Side plate, Al, 0.8 mm, powder-coated, RAL 9006   |
| 6    | 4   | Case foot with anti-slip protection, PC, black  |
| 7    | 8   | Fixing adaptor for cover plate, prefitted   |
| 8    | 1   | Assembly kit also allows the fitting of a full-width front panel, two cover brackets or a rear panel    |



02004055



02004056

### Order Information

| Usable width | Width W | Width w | Height H | Height h | Depth D | Part no.  |
|--------------|---------|---------|----------|----------|---------|-----------|
| HP           | mm      | mm      | mm       | mm       | mm      |           |
| 63           | 364     | 326     | 280.5    | 262.9    | 331     | 14575-445 |
| 63           | 364     | 326     | 280.5    | 262.9    | 391     | 14575-447 |
| 84           | 471     | 432     | 280.5    | 262.9    | 271     | 14575-463 |
| 84           | 471     | 432     | 280.5    | 262.9    | 331     | 14575-465 |
| 84           | 471     | 432     | 280.5    | 262.9    | 391     | 14575-467 |
| 84           | 471     | 432     | 280.5    | 262.9    | 451     | 14575-469 |
| 84           | 471     | 432     | 280.5    | 262.9    | 511     | 14575-471 |



For further information [www.schroff.biz/oneclick](http://www.schroff.biz/oneclick)  
oneClick search code = Part no.



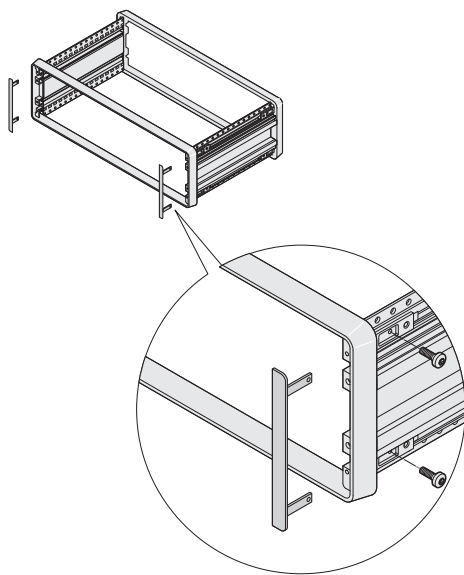
ServicePLUS see page 5.4

## Desk-top cases - *compacPRO*

### Filler angle



02005002



02004062

- To cover the sides of the frame and to create a continuous front plane with plug-in units and partial-width front panels
- This filler angle is recommended when fitting horizontal rails

#### Delivery comprises

| Item | Qty | Description   |
|------|-----|---|
| 1    | 2   | Filler angle, Al extrusion, anodised, cut edges plain |

#### Order Information

| Height | Part no.  |
|--------|-----------|
| U      |           |
| 2      | 24575-019 |
| 3      | 24575-119 |
| 4      | 24575-219 |
| 6      | 24575-419 |

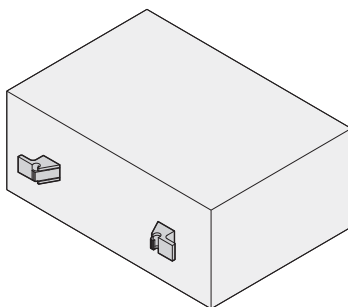
#### Note

- Fixing material is supplied with case

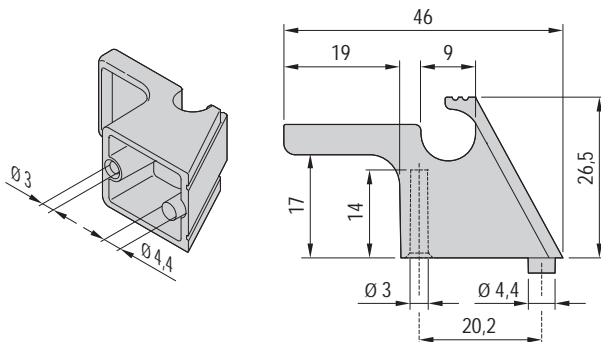


For further information [www.schrack.biz/oneclick](http://www.schrack.biz/oneclick)  
oneClick search code = Part no.

### Cable holder



02908053



02908052

#### Delivery comprises (kit)

| Item | Qty | Description   |
|------|-----|---|
| 1    | 2   | Cable bracket, ABS, UL V-94 0, RAL 7016, detent for cables between 8 mm and 12 mm |
| 2    | 1   | Drilling template, two drill holes each per bracket are needed in rear panel      |
| 3    | 1   | Assembly kit  |

#### Order Information

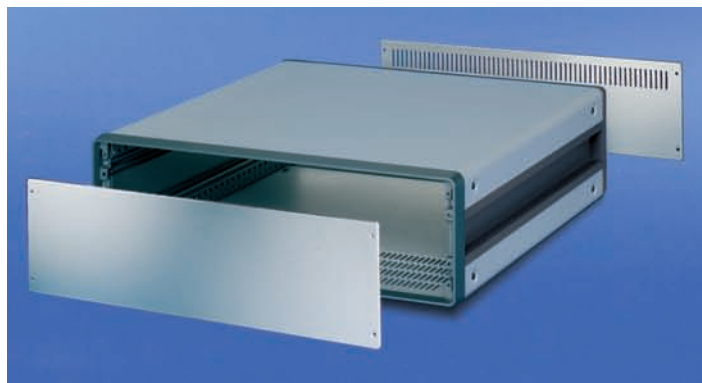
| Description  | Part no.  |
|--------------|-----------|
| Cable holder | 24575-800 |



For further information [www.schrack.biz/oneclick](http://www.schrack.biz/oneclick)  
oneClick search code = Part no.

## Desk-top cases - *compacPRO*

### Front panel and rear panel



- Front panels and rear panels are screwed on front or rear frame of case

#### Delivery comprises (kit)

| Item | Qty | Description  |
|------|-----|--|
| 1    | 1   | Rear panel with 4 rows of ventilation slots, Al, anodised, cut edges plain; 28, 42, 63 HP = 2 mm thick; 84 HP = 2.5 mm thick |
| 2    | 1   | Front panel, Al, anodised, cut edges plain, 3 mm thick   |

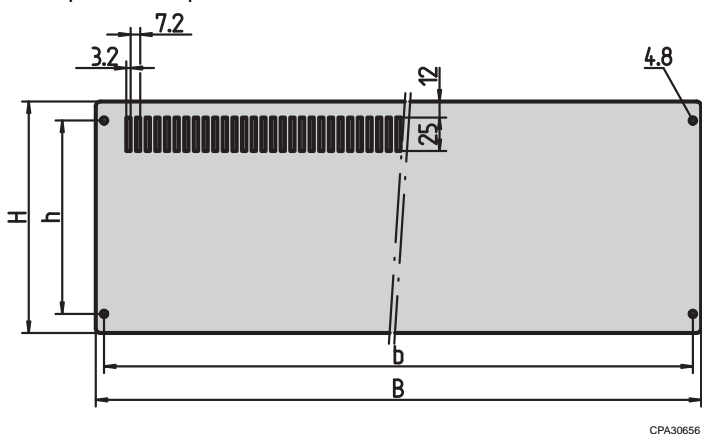
#### Order Information

| U | HP | Height | Height | Width |       | Rear panel Part no. | Front panel Part no. |
|---|----|--------|--------|-------|-------|---------------------|----------------------|
|   |    | H mm   | h mm   | B mm  | b mm  |                     |                      |
| 2 | 42 | 84     | 66     | 238.7 | 226.3 | 30823-015           | 30823-209            |
| 2 | 84 | 84     | 66     | 452.1 | 439.7 | 30823-512           | 30823-215            |
| 3 | 28 | 128.4  | 100    | 167.5 | 155.1 | 30823-021           | 30823-254            |
| 3 | 42 | 128.4  | 100    | 238.7 | 226.3 | 30823-024           | 30823-257            |
| 3 | 63 | 128.4  | 100    | 345.4 | 333.1 | 30823-027           | 30823-224            |
| 3 | 84 | 128.4  | 100    | 452.1 | 439.7 | 30823-515           | 30823-260            |
| 4 | 42 | 172.9  | 144.5  | 238.7 | 226.3 | 30823-033           | 30823-269            |
| 4 | 63 | 172.9  | 144.5  | 345.4 | 333.1 | 30823-036           | 30823-227            |
| 4 | 84 | 172.9  | 144.5  | 452.1 | 439.7 | 30823-518           | 30823-272            |
| 6 | 63 | 261.8  | 233.4  | 345.4 | 333.1 | 30823-045           | 30823-230            |
| 6 | 84 | 261.8  | 233.4  | 452.1 | 439.7 | 30823-521           | 30823-284            |

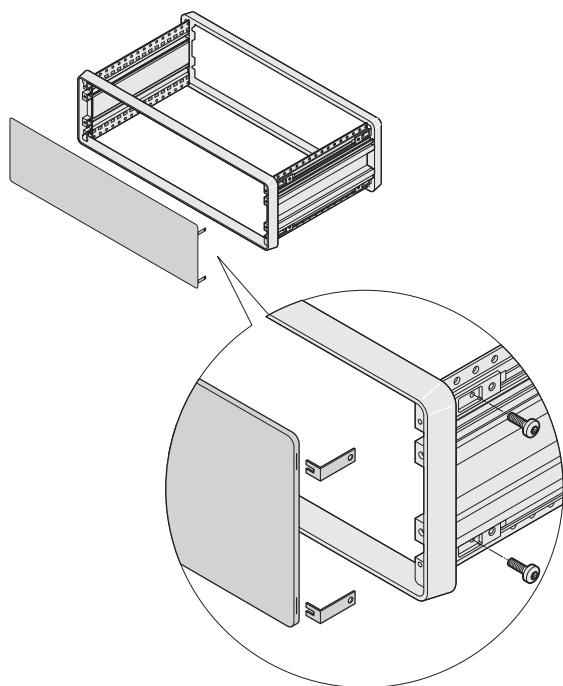
#### Note

- Assembly kit to fix one rear and one front panel is included with the case
- Cable holder and rear feet, see from page 5.81

Rear panel/front panel



### Front panel/rear panel with hidden fixing



#### Delivery comprises (kit)

| Item | Qty | Description  |
|------|-----|--|
| 1    | 1   | Front panel, Al, anodised, cut edges plain, 2.5 mm |
| 2    | 4   | Fixing bracket                                     |

#### Order Information

| U | HP | Height | Height | Width |       | Part no.  |
|---|----|--------|--------|-------|-------|-----------|
|   |    | H mm   | h mm   | B mm  | b mm  |           |
| 2 | 42 | 84.0   | 66.0   | 238.7 | 226.3 | 24575-035 |
| 2 | 84 | 84.0   | 66.0   | 452.1 | 439.7 | 24575-075 |
| 3 | 28 | 128.4  | 100.0  | 167.5 | 155.1 | 24575-115 |
| 3 | 42 | 128.4  | 100.0  | 238.7 | 226.3 | 24575-135 |
| 3 | 63 | 128.4  | 100.0  | 345.4 | 333.1 | 24575-155 |
| 3 | 84 | 128.4  | 100.0  | 452.1 | 439.7 | 24575-175 |
| 4 | 42 | 172.9  | 144.5  | 238.7 | 226.3 | 24575-235 |
| 4 | 63 | 172.9  | 144.5  | 345.4 | 333.1 | 24575-255 |
| 4 | 84 | 172.9  | 144.5  | 452.1 | 439.7 | 24575-275 |
| 6 | 63 | 261.8  | 233.4  | 345.4 | 333.1 | 24575-455 |
| 6 | 84 | 261.8  | 233.4  | 452.1 | 439.7 | 24575-475 |

#### Note

- Cable holder and rear feet see from page 5.81

# Desk-top cases - *compacPRO*

## Rear foot with rubber insert



02005004

### Delivery comprises

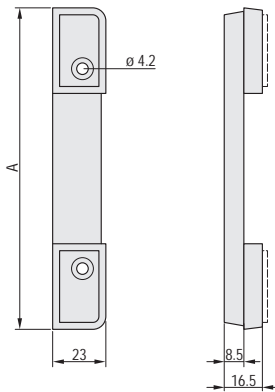
| Item | Qty | Description                                      |
|------|-----|--|
| 1    | 2   | Foot with rubber insert, PC, UL 94 V-0, RAL 7016 |
| 2    | 1   | Fixing material                                  |

### Order Information

| For case height | A     | Part no.  |
|-----------------|-------|-----------|
| U               | mm    |           |
| 3               | 139   | 24575-114 |
| 4               | 183.5 | 24575-214 |



For further information [www.schroff.biz/oneclick](http://www.schroff.biz/oneclick)  
oneClick search code = Part no.



02004063

## Edge protection/rear foot



02005005

### Delivery comprises

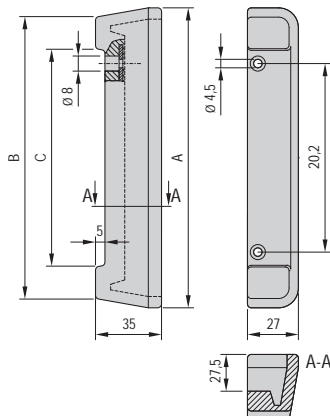
| Item | Qty | Description                     |
|------|-----|---------------------------------|
| 1    | 2   | Edge protection, PU foam, black |
| 2    | 1   | Assembly kit                    |

### Order Information

| For case height | A     | B     | C     | Part no.  |
|-----------------|-------|-------|-------|-----------|
| U               | mm    | mm    | mm    |           |
| 3               | 159.1 | 114.0 | 100.0 | 20823-675 |
| 4               | 203.6 | 159.0 | 144.5 | 20823-676 |



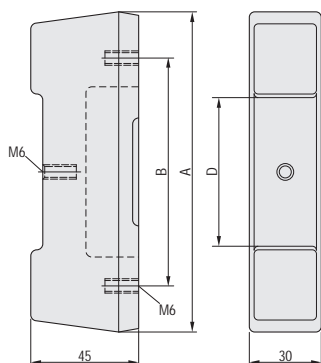
For further information [www.schroff.biz/oneclick](http://www.schroff.biz/oneclick)  
oneClick search code = Part no.



02908054

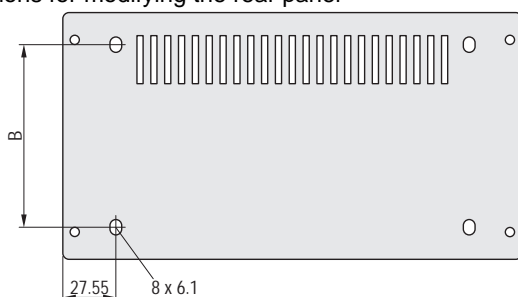
## Desk-top cases - *compacPRO*

### Rear foot for hood



02004065

Dimensions for modifying the rear panel



02004066

### Delivery comprises

| Item | Qty | Description                     |
|------|-----|---------------------------------|
| 1    | 2   | Foot, PU foam, black, 75° shore |
| 2    | 1   | Fixing material                 |

### Order Information

| Height<br>U | A<br>mm | B<br>mm | D<br>mm | Part no.  |
|-------------|---------|---------|---------|-----------|
| 3           | 133.5   | 95      | 65      | 20823-668 |
| 4           | 177.8   | 139.5   | 95      | 20823-669 |

■ Rear panel, see page 5.82



For further information [www.schroff.biz/oneclick](http://www.schroff.biz/oneclick)  
oneClick search code = Part no.

### Hood



02005006

### Delivery comprises

| Item | Qty | Description  |
|------|-----|--|
| 1    | 1   | Hood, ABS, RAL 7016, wall thickness < 4 mm, fixing with knurled screws |
| 2    | 1   | Assembly kit   |

### Order Information

| Height<br>U | Width<br>HP | A<br>mm | Part no.  |
|-------------|-------------|---------|-----------|
| 3           | 42          | 267     | 24575-136 |
| 3           | 63          | 373.5   | 24575-156 |
| 3           | 84          | 480     | 24575-176 |

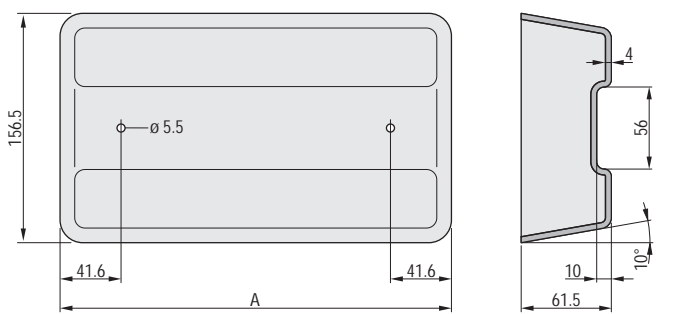
**Cable support** PC, black, UL 94 V-0, PU 2 pieces 20823-674

### Note

- Cable support can only be fitted in conjunction with rear foot for hood
- To fit the hood, the rear panel and the rear foot for hood must be mounted on the case
- Rear panel, see page 5.82
- Rear foot for hood see page 5.84

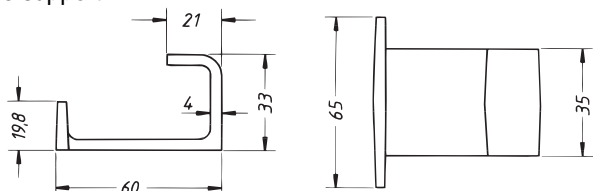


For further information [www.schroff.biz/oneclick](http://www.schroff.biz/oneclick)  
oneClick search code = Part no.



02004064

Cable support



A4-512

# Desk-top cases - *compacPRO*

## Front door, acrylic glass, hinged



02005003

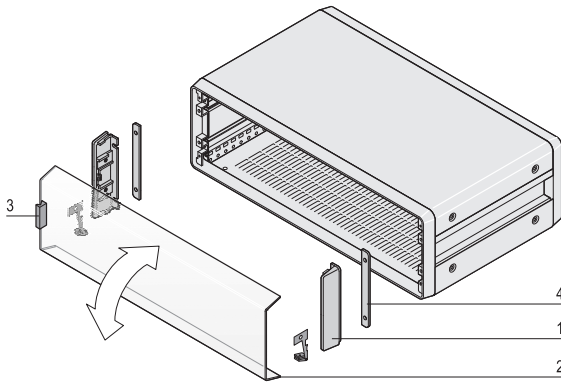
- Assembly of the hinge to top or bottom
- With snap-on latch
- Lock retrofitable

### Delivery comprises (kit)

| Item | Qty | Description   |
|------|-----|---|
| 1    | 2   | Side part, Al die-cast, powder-coated, RAL 7016         |
| 2    | 1   | Front door, PMMA, tinted blue-grey, acrylic glass, 3 mm |
| 3    | 1   | Snap-on latch, PC, UL 94 V-0, black                     |
| 4    | 2   | Spacer plate, Al, 3 mm, passivated                      |
| 5    | 1   | Assembly kit  |

### Order Information

| Height  | Width | Part no.  |
|---|-------|-----------|
| U   | HP    |           |
| 3   | 42    | 24575-137 |
| 3   | 63    | 24575-157 |
| 3   | 84    | 24575-177 |
| <b>Lock for front door</b> cylinder, 2 keys, assembly parts |       | 21100-647 |

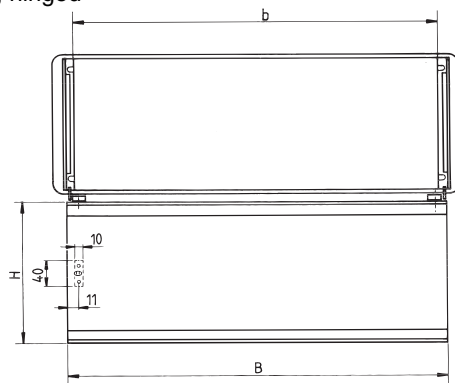


02004069

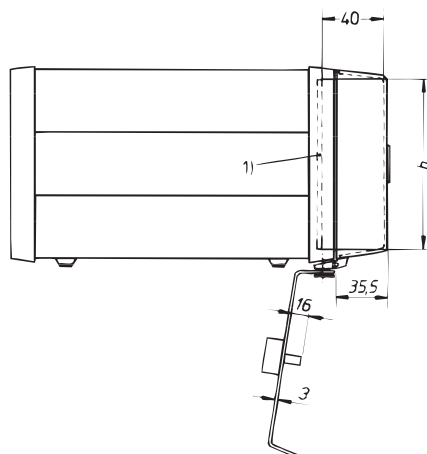
### Dimensions table

| Height | b  | H      | h      | B      |
|--------|----|--------|--------|--------|
| U      | TE | mm     | mm     | mm     |
| 3      | 42 | 139,50 | 128,40 | 229,60 |
| 3      | 63 | 139,50 | 128,40 | 336,40 |
| 3      | 84 | 139,50 | 128,40 | 443,00 |

### Front door, hinged



84-2265



84-225

1) Front panel



For further information [www.schroff.biz/oneclick](http://www.schroff.biz/oneclick)  
oneClick search code = Part no.

## Desk-top cases - *compacPRO*

### Tip-up carrying handle



02004002

- With powder-coated handle bar
- Handle bar adjustable in 30 degree increments by pressing button
- Load-carrying capacity 20 kg

#### Delivery comprises (kit)

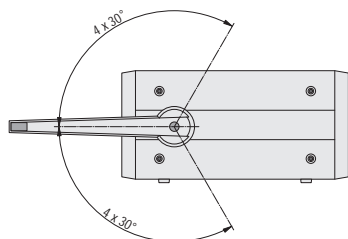
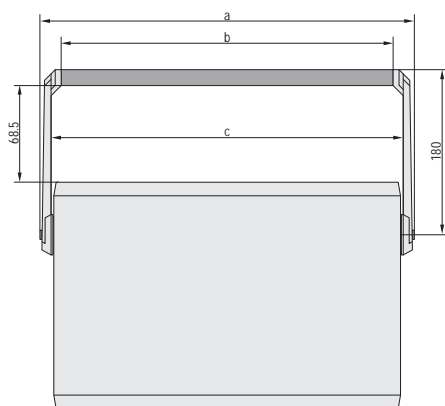
| Item | Qty | Description  |
|------|-----|--|
| 1    | 1   | Carrying bar, Al profile, powder-coated, RAL 7016                    |
| 2    | 2   | Lateral section of handle, Zn die-cast, powder coated, length 180 mm |
| 3    | 2   | Safety insert, St, 1.5 mm, black                                     |
| 4    | 1   | Fixing material incl. drilling template for side panel               |

#### Order Information

| For case height | Width     | Part no.  |
|-----------------|-----------|-----------|
| <b>U</b>        | <b>HP</b> |           |
| 2               | 42        | 24575-038 |
| 2               | 84        | 24575-078 |
| 3, 4            | 28        | 24575-118 |
| 3, 4            | 42        | 24575-138 |
| 3, 4            | 63        | 24575-158 |
| 3, 4            | 84        | 24575-178 |

#### Dimensions

| Case width | a      | b      | c      |
|------------|--------|--------|--------|
| HP         | mm     | mm     | mm     |
| 28         | 249.32 | 180.32 | 202.72 |
| 42         | 320.44 | 251.44 | 273.84 |
| 63         | 427.12 | 358.12 | 380.52 |
| 84         | 533.80 | 464.80 | 487,20 |

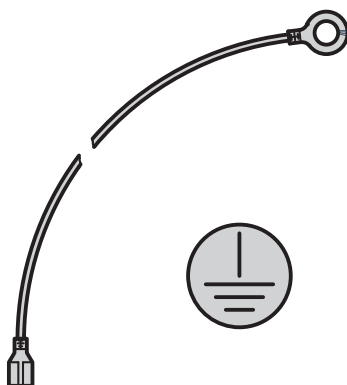


02004080



For further information [www.schroff.biz/oneclick](http://www.schroff.biz/oneclick)  
oneClick search code = Part no.

### GND/earthing kit



aza43284

- Protective GND/earth connections in accordance with  
DIN EN 50178/VDE 0160,  
DIN EN 60950/VDE 0805,  
DIN EN 61010-1/VDE 0411 part 1,  
DIN EN 61010-1A2 /VDE 0411 part 1/A1  
VDE inspection requested

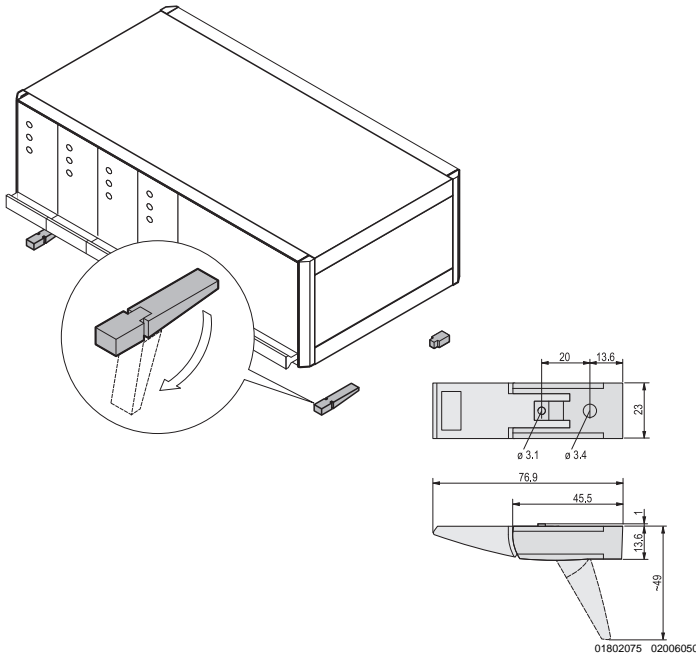
#### Order Information

| Description   | Qty/PU | Part no.  |
|---|--------|-----------|
| GND/earthing kit, CU wire 1.5 mm <sup>2</sup> , PVC covered, green/yellow, links side panel, base plate, cover and rear panel | 1      | 24575-801 |



# Desk-top cases - *compacPRO*

## Plastic tip-up feet



- Static load-carrying capacity 25 kg per foot
- Tip-up feet can be used instead of the case feet fitted as standard
- Fixing holes provided in bottom of case

### Delivery comprises (kit)

| Item | Qty | Description                  |
|------|-----|------------------------------|
| 1    | 4   | Foot, PA, UL 94 V-0          |
| 2    | 4   | Anti-slip protection, TPE    |
| 3    | 2   | Tip-up device, PA, UL 94 V-0 |
| 4    | 1   | Assembly kit                 |

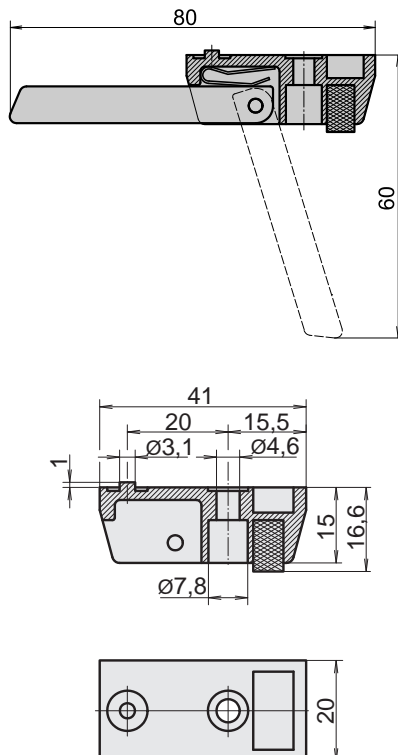
### Order Information

| Description         | RAL 7016 anthracite | RAL 9006 silver |
|---------------------|---------------------|-----------------|
|                     | Part no.            | Part no.        |
| Plastic tip-up foot | 20603-002           | 20603-001       |



For further information [www.schroff.biz/oneclick](http://www.schroff.biz/oneclick)  
oneClick search code = Part no.

## Al die-cast tip-up foot



- Static load-carrying capacity 50 kg per foot
- Tip-up feet can be used instead of the case feet fitted as standard
- Fixing holes provided in bottom of case

### Order Information

| Description                              | Qty                            | Part no.  |
|--|--------------------------------|-----------|
| Foot without tip-up, Al die-cast, silver | 1 piece (SPQ 10) <sup>1)</sup> | 10603-001 |
| Foot with tip-up, Al die-cast, silver    | 1 piece (SPQ 10) <sup>1)</sup> | 10603-002 |

### Accessories

|  |           |
|--|-----------|
| Cheesehead screw with slot M4 x 12, St, zinc-plated, PU 100 pieces | 21101-211 |
| Hexagon nut M4, St, zinc-plated, PU 100 pieces                     | 21100-211 |
| Spring washer A4, St, zinc-plated, PU 100 pieces                   | 21100-207 |

1) Delivery is exclusively in Standard Pack Quantity (SPQ): Please order at least 10 pieces or a multiple. Pricing is per individual item.

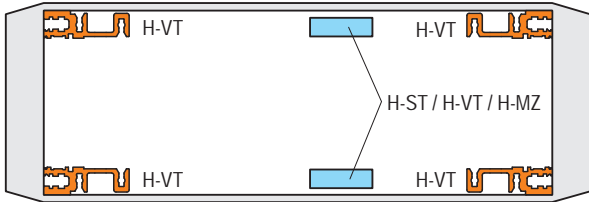


For further information [www.schroff.biz/oneclick](http://www.schroff.biz/oneclick)  
oneClick search code = Part no.

# Desk-top cases - *compacPRO*

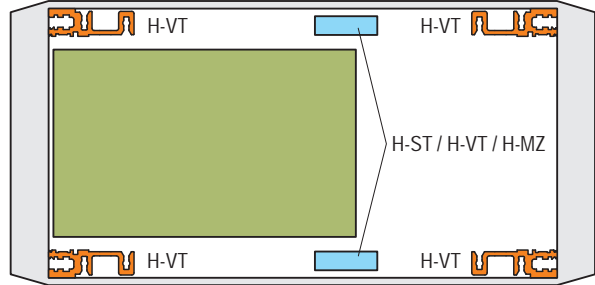
## Mounting position horizontal/central rail

Case, 2 U



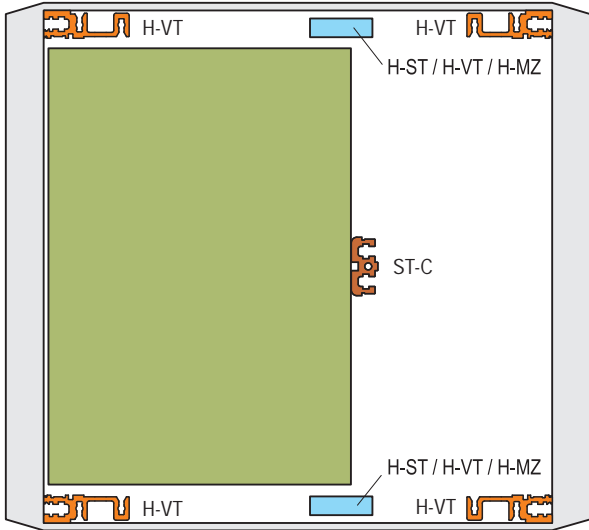
02004073

Case, 3 U + 4 U



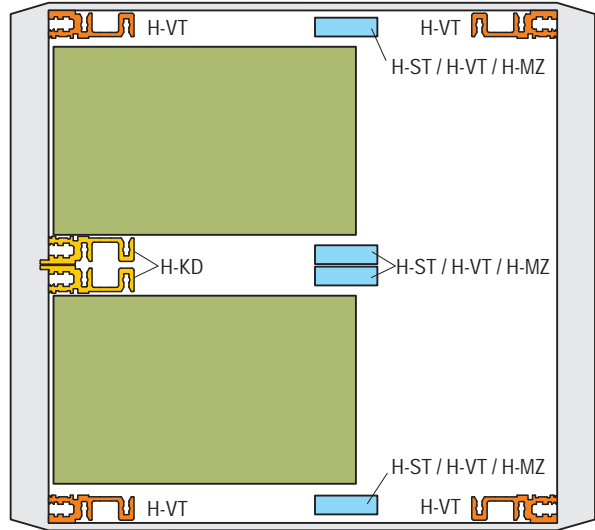
02004074

Case, 6 U



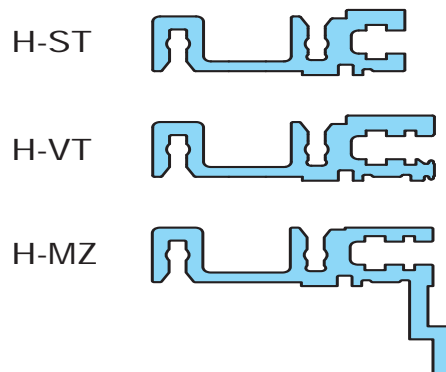
02004076

Case 2 x 3 U (6 U)



02004077

### Horizontal rails










02004078

# Desk-top cases - *compacPRO*

## Horizontal rails to front/centre/rear

### Order Information

|   |               | For indirect backplane<br>fixing with insulation strip  | For direct backplane<br>fixing  | For direct fixing of<br>connectors in<br>accordance with<br>EN 60603-2 (DIN 41612)   | Front horizontal rails   |
|---|---------------|---|---|--|--|
|   |               | <br><small>04400001</small><br><b>"heavy"</b><br><b>Type H-ST</b><br><b>standard</b><br><br><small>06197011</small> | <br><small>04400002</small><br><b>"heavy"</b><br><b>Type H-VT</b><br><b>long lip</b><br><br><small>06197013</small> | <br><small>04400003</small><br><b>"heavy"</b><br><b>Type H-MZ</b><br><b>with Z-rail</b><br><br><small>06197015</small> | <b>"heavy"</b><br><b>Type H-KD</b><br><b>short lip</b><br><br><small>06197008</small> |
|   |               | Al extrusion, anodised finish,<br>conductive contact surface,<br>with printed HP markings   | Al extrusion, anodised finish,<br>conductive contact surface,<br>with printed HP markings   | Al extrusion, anodised finish,<br>conductive contact surface,<br>with printed HP markings  | Al extrusion, anodised finish,<br>conductive contact surface,<br>with printed HP markings  |
| <b>Usable length</b>  | <b>Length</b> | <b>1 piece (SPQ 10)<sup>1)</sup></b>  | <b>1 piece (SPQ 10)<sup>1)</sup></b>  | <b>1 piece (SPQ 10)<sup>1)</sup></b>   | <b>1 piece (SPQ 10)<sup>1)</sup></b>   |
| <b>HP</b>   | <b>mm</b>     |   |   |  |  |
| 28  | 147.32        | <b>34560-528</b>  | <b>34560-728</b>  | <b>34560-928</b>   | <b>34560-228</b>   |
| 42  | 218.44        | <b>34560-542</b>  | <b>34560-742</b>  | <b>34560-942</b>   | <b>34560-242</b>   |
| 63  | 325.12        | <b>34560-563</b>  | <b>34560-763</b>  | <b>34560-963</b>   | <b>34560-263</b>   |
| 84  | 431.80        | <b>34560-584</b>  | <b>34560-784</b>  | <b>34560-984</b>   | <b>34560-284</b>   |
| Torx countersunk screw, ,<br>M4 x 14, St, zinc-plated,<br>PU 100 pieces   |               | 24571-371   | 24571-371   | 24571-371  | 24571-371  |
| Torx countersunk screw, ,<br>M4 x 10, St, zinc-plated,<br>required if guide rail is screwed<br>to slot 1, PU 100 pieces |               | -   | -   | 24571-372  | 24571-372  |
| Z-rail for connector mounting<br>without insulation strip see page  |               | 5.91  | -   | -  | -  |
| Insulation strips see page  |               | -   | 5.90  | -  | -  |
| Threaded inserts see page   |               | 5.90  | 5.90  | 5.90   | 5.90   |

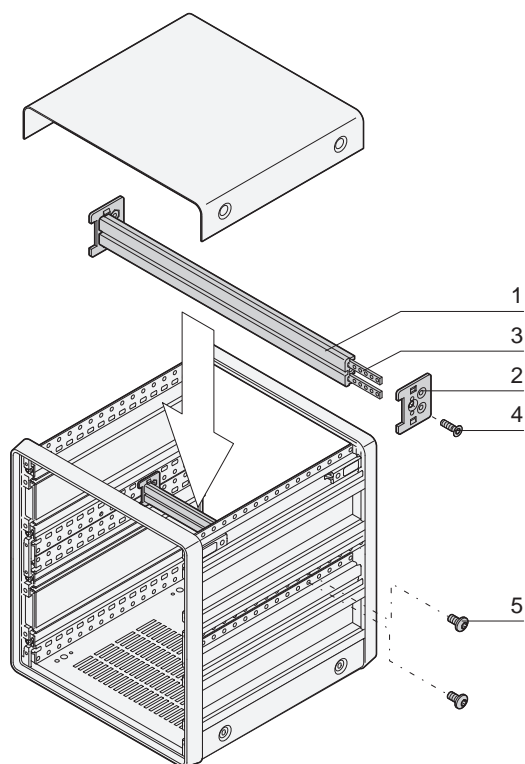
1) SPQ (standard pack quantity): Order number includes 1 piece, but delivery is exclusively made in standard pack quantity (SPQ); please order at least the SPQ quantity or a multiple thereof

### Note

- Further horizontal rails, see from page 6.27
- Fitting options, see page 5.88

## Desk-top cases - *compacPRO*

### Horizontal rail, centre, type ST-C



- For indirect backplane mounting (with insulation strip)
- For 6 U compacPRO case

**Delivery comprises** (Kit, items 1 to 4 are pre-mounted)

| Item | Qty | Description  |
|------|-----|--|
| 1    | 1   | Horizontal rail, Al extrusion, anodised, contact surfaces conductive |
| 2    | 2   | Adaptor plate, Al  |
| 3    | 2   | Threaded insert, M2.5, St, zinc-plated                               |
| 4    | 2   | Countersunk screw, M4 x 14   |
| 5    | 4   | Panhead screw, M4 x 6  |

#### Order Information

| Usable width | Length | Part no.  |
|--------------|--------|-----------|
| HP           | mm     |           |
| 63           | 325.1  | 24575-454 |
| 84           | 431.8  | 24575-474 |

02005050

### Threaded inserts, perforated strips, insulation strips

#### Order Information

| Usable length<br>HP | Threaded insert |                                | Insulation strip               |              |
|---------------------|-----------------|--------------------------------|--------------------------------|--------------|
|                     | Length<br>mm    | 1 piece (SPQ 10) <sup>1)</sup> | 1 piece (SPQ 10) <sup>1)</sup> | Length<br>mm |
| 28                  | 146.82          | 34561-328                      | –                              | 144.20       |
| 42                  | 217.94          | 34561-342                      | –                              | 210.40       |
| 63                  | 324.62          | 34561-363                      | –                              | 316.88       |
| 84                  | 431.30          | 34561-384                      | 34561-484                      | 428.64       |

#### Accessories

|                                    |           |           |   |
|------------------------------------|-----------|-----------|---|
| Grub screw M2.5 x 8, PU 100 pieces | 21100-276 | –         | – |
| Grub screw M3 x 8, PU 100 pieces   | –         | 21100-646 | – |

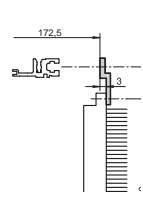
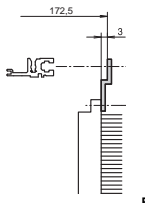
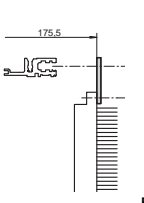
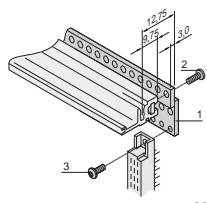

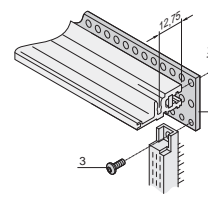
1) SPQ (standard pack quantity): Order number includes 1 piece, but delivery is exclusively made in standard pack quantity (SPQ); please order at least the SPQ quantity or a multiple thereof

2) Part no. includes one packing unit (PU); delivery is exclusively made in PU

# Desk-top cases - *compacPRO*

## Z-rails, perforated rails

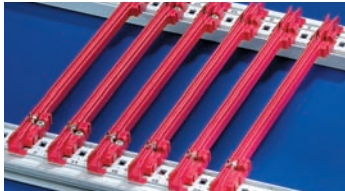
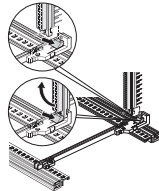
### Order Information

|  |               | <b>Z-rail for connectors</b>  |   | <b>Perforated rail</b>  |
|--|---------------|---|---|---|
|  |               | <b>DIN EN 60603-2, DIN 41612<br/>item 1</b>   | <b>31-pin, DIN 41617</b>  | <b>EN 606032, DIN 41612<br/>item 1</b>  |
|  |               |  <p style="text-align: center;">BZA45849</p> |  <p style="text-align: center;">BZA45850</p> |  <p style="text-align: center;">BZA45848</p> |
|  |               |  <p style="text-align: center;">06708063</p> |  <p style="text-align: center;">06708063</p> |  <p style="text-align: center;">06708051</p> |
|  |               | for connector mounting on ST horizontal rails, please order threaded insert and screw separately                              | for connector mounting on ST horizontal rails, please order threaded insert and screw separately                                | for connector mounting on VT horizontal rails, please order threaded insert and screw separately                                |
| <b>Usable length</b>   | <b>Length</b> | <b>1 piece</b>  | <b>1 piece</b>  | <b>PU 4 pieces</b>  |
| <b>HP</b>  | <b>mm</b>     |   |   |   |
| 28   | 142.24        | 30822-033   | —   | 20822-049   |
| 42   | 213.36        | 30822-047   | —   | 20822-050   |
| 60   | 304.80        | 30822-065   | 30819-783   | 20822-047   |
| 84   | 426.70        | 30822-089   | 30819-808   | 20822-048   |
| Item 3, Torx panhead screw to fix connector to perforated rail,, M2.5 x 7, PU 100 pieces         |               | 24560-147   | 24560-147   | 24560-147   |
| Item 2, Torx panhead screw, to fix perforated rails to horizontal rail, M2.5 x 10, PU 100 pieces |               | 24560-148   | 24560-148   | 24560-148   |

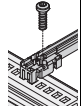
## Desk-top cases - *compacPRO*

Guide rails for plug-in units and modules, one-piece,  
groove width 2 mm and 2.5 mm

### Order Information

| <b>Assembly</b><br>- can be clipped into Al extruded horizontal rails<br>- can be clipped into 1.5 mm thick plates<br><br><b>Storage temperature</b><br>from -40 °C ... 130 °C |                    |              | For plug-in units and frame type plug-in units  |  |
|--|--------------------|--------------|---|--|
|  |                    |              | <b>standard</b><br><br>up to 220 mm length, PBT, UL 94 V-0;<br>from 280 mm length, multi-piece, end piece PBT, UL 94 V-0,<br>central section Al extrusion<br><small>06102001</small> | <b>standard, with DIN connector fixing</b><br><br>PBT, UL 94 V-0, red,<br>connector is clipped directly onto the guide rails;<br>for euroboards, 100 x 160 mm or 100 x 220 mm only<br><small>06101501</small> |
| Board length<br>mm   | Groove width<br>mm | Colour<br>mm | PU 10 pieces  | 1 pair (SPQ 10) <sup>1)</sup>  |
| 70   | 2                  | red          | -   | -  |
| 70   | 2                  | grey         | -   | -  |
| 160  | 2                  | red          | 24560-351   | 64560-074  |
| 220  | 2                  | red          | 24560-353   | 64560-075  |
| 280  | 2                  | red          | 24560-379   | -  |
| 340  | 2                  | red          | 24560-380   | -  |
| 160  | 2.5                | red          | -   | -  |
| 220  | 2.5                | red          | -   | -  |
| Dimension drawings see page  |                    |              | 6.40  | 6.40   |

### Accessories

|                                   |   |           |           |
|-----------------------------------|---|-----------|-----------|
| Retention screw,<br>PU 100 pieces |  | 24560-141 | 24560-141 |
| ESD clip, PU 50 pieces            |   | 24560-255 | 24560-255 |

<sup>1)</sup> SPQ (standard pack quantity): Order number includes 1 piece, but delivery is exclusively made in standard pack quantity (SPQ); please order at least the SPQ quantity or a multiple thereof

<sup>2)</sup> Part no. includes one packing unit (PU); delivery is exclusively made in PU

**Description of accessories see from page 6.41**

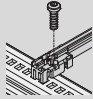
# Desk-top cases - *compacPRO*

Guide rails type "accessory", one-piece,  
groove width 2 mm and 2.5 mm

## Order Information

| <b>Assembly</b><br>- can be clipped into horizontal rails in Al extrusion<br>- can be clipped into 1.5 mm thick plate<br><br><b>Storage temperature</b><br>from -40 °C ... +130 °C |                         |               | <b>accessory</b>   | <b>Guide rails type<br/>accessory, strengthened</b>   | <b>for heavy modules,<br/>Al extrusion, silver,<br/>robust version</b> |
|--|-------------------------|---------------|--|---|--|
|  <div style="text-align: right; font-size: small; margin-top: 5px;">06102002</div>                |                         |               |  <div style="text-align: right; font-size: small; margin-top: 5px;">06102005</div> |  <div style="text-align: right; font-size: small; margin-top: 5px;">06102005</div> |  |
| up to 280 mm length, PBT, UL 94 V-0;<br>> 280 mm length, multi-piece,<br>end piece PBT, UL 94V-0,<br>middle section Al extrusion   |                         |               | PBT UL 94 V?0,<br>red support beam of guide rails adds to<br>strengthening   | Al extrusion;<br>is screwed to horizontal rail "heavy"<br>with retention screws   |  |
| <b>Board<br/>length</b>  | <b>Groove<br/>width</b> | <b>Colour</b> | <b>PU 10 pieces</b>  | <b>1 piece (SPQ 50)</b>   | <b>1 piece (SPQ 10)<sup>1)</sup></b>                                   |
| 100  | 2                       | red           | -  | -   | -  |
| 160  | 2                       | red           | 24560-373  | 64560-076   | -  |
| 160  | 2                       | grey          | -  | -   | 34562-881  |
| 220  | 2                       | red           | 24560-374  | 64560-078   | -  |
| 220  | 2                       | grey          | -  | -   | 34562-882  |
| 280  | 2                       | red/silver    | 24560-375  | 64560-080   | 34562-883  |
| 340  | 2                       | red/silver    | 24560-376  | -   | 34562-884  |
| 400  | 2                       | red/silver    | -  | -   | 34562-885  |
| 160  | 2.5                     | silver        | -  | -   | 34564-881  |
| 220  | 2.5                     | silver        | -  | -   | 34564-882  |
| 280  | 2.5                     | silver        | -  | -   | 34564-883  |
| 340  | 2.5                     | silver        | -  | -   | 34564-884  |
| 400  | 2.5                     | silver        | -  | -   | 34564-885  |
| Dimension drawings see page  |                         |               | 6.40   | 6.40  | 6.40   |

## Accessories

|  |               |           |           |
|--|---------------|-----------|-----------|
| Retention screw, PU 100 pieces  | 24560-141     | 24560-141 | 24560-157 |
| ESD clip, PU 50 pieces   | 24560-255     | 24560-255 | -         |
| Board locking, red, PU 10 pieces   | 24560-377     | 24560-377 | -         |
| Board handle, red, PU 10 pieces description  | 24560-378     | 24560-378 | -         |
| Identification strips for board handle, red, PU 1 sheet = 438 pieces   | 60817-228     | 60817-228 | -         |
| Coding see page  | see page 6.41 |           | -         |

1) SPQ (standard pack quantity): Order number includes 1 piece, but delivery is exclusively made in standard pack quantity (SPQ); please order at least the SPQ quantity or a multiple thereof

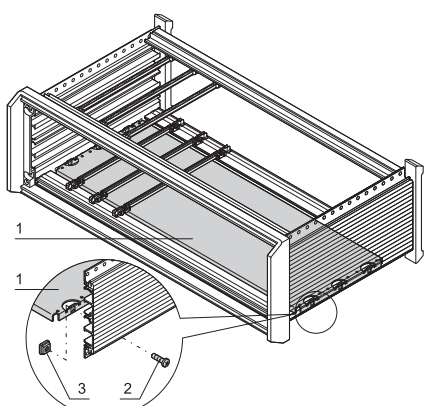
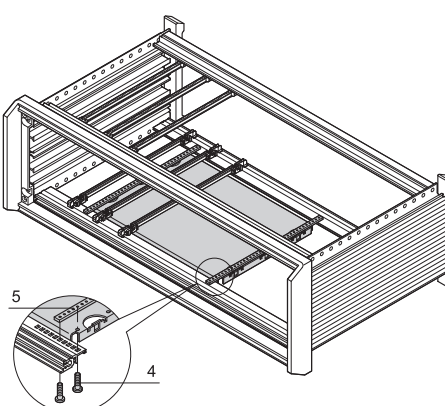
2) Part no. includes one packing unit (PU); delivery is exclusively made in PU

**Further guide rails see page 6.35**

# Desk-top cases - *compacPRO*

## Mounting plates

### Order Information

|   |        |                 | <b>Mounting plate for fixing of heavy components</b>   |  |
|---|--------|-----------------|--|--|
|   |        |                 | <p>Mounting plate over <b>full width</b>:<br/>mounting is onto the side panels;<br/>mounting plate over <b>partial width</b>:<br/>mounting is onto one side panel and fixing strip or<br/>onto 2 fixing strips</p>  <p>Al, 1.5 mm; for mounting over partial width,<br/>please order assembly strips separately</p> <p style="text-align: right;"><small>06102501</small></p> | <p><b>Assembly strip for partial widths</b></p>  <p>St, 2 mm, zinc-plated;<br/>is bolted from front to rear onto the horizontal rails;<br/>to fix mounting plates</p> <p style="text-align: right;"><small>05806100</small></p> |
| Width W   | HP     | Board length mm |  |  |
| W   |        |                 |  |  |
| 28  | 146.88 | 160             | 34562-745  | 30840-021  |
| 28  | 146.88 | 220             | 34562-749  | 30840-033  |
| 28  | 146.88 | 280             | 34562-753  | 30840-045  |
| 28  | 146.88 | 340             | 34562-757  | 30840-057  |
| 42  | 217.99 | 160             | 34562-746  | 30840-021  |
| 42  | 217.99 | 220             | 34562-750  | 30840-033  |
| 42  | 217.99 | 280             | 34562-754  | 30840-045  |
| 42  | 217.99 | 340             | 34562-758  | 30840-057  |
| 63  | 324.67 | 160             | 34562-747  | 30840-021  |
| 63  | 324.67 | 220             | 34562-751  | 30840-033  |
| 63  | 324.67 | 280             | 34562-755  | 30840-045  |
| 63  | 324.67 | 340             | 34562-759  | 30840-057  |
| 84  | 431.35 | 160             | 34562-748  | 30840-021  |
| 84  | 431.35 | 220             | 34562-752  | 30840-033  |
| 84  | 431.35 | 280             | 34562-756  | 30840-045  |
| 84  | 431.35 | 340             | 34562-760  | 30840-057  |
| <b>Assembly kit for mounting plate</b>  |        |                 |  |  |
| PU 1 kit (Torx countersunk screw M4 x 5, St, zinc-plated, 12 pieces; screw M4 x 6, St, zinc-plated, 10 pieces; M4 square nut, St, zinc-plated, 10 pieces) |        |                 | 24560-184  | -  |
| Assembly kit for assembly strips of mounting plate,<br>Torx screw M2.5 x 5, St, zinc-plated, PU 100 pieces  |        |                 | -  | 24560-146  |
| M2.5 x 5, St, zinc-plated, PU 100 pieces  |        |                 |  |  |

### Note

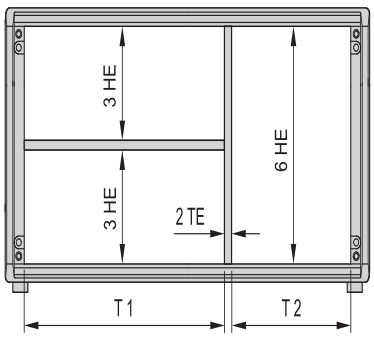
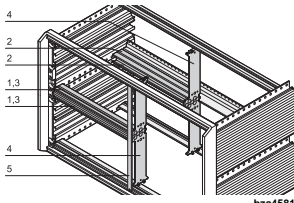
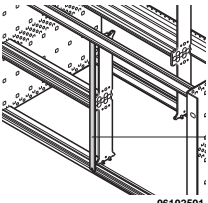
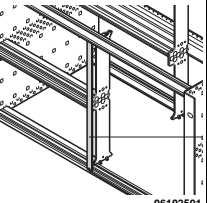
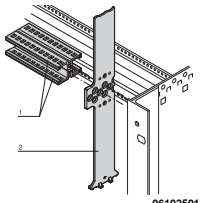
- For installation and assembly of heavier components
- The mounting plate is as wide as the case and is fixed to the side panels
- A guide rail can be mounted on the first and last slot positions
- 4.4" and "strengthened" guide rails cannot be used



# Desk-top cases - *compact PRO*

Combined mountings (6 U and 2 x 3 U one above the other)

## Order Information

|    | <b>Combined mounting:</b><br><b>horizontal and vertical subdivision</b><br><b>(incl. front panel for stainless steel EMC gasket)</b> |  |   | <b>unshielded front panel,</b><br><b>6 U, 2 HP</b><br><b>item 6</b>   | <b>front panel for textile EMC gasket,</b><br><b>6 U, 2 HP</b><br><b>item 6</b> | <b>Splitting extrusion</b><br><b>for combined mounting</b><br><b>Item 2</b> |
|---|--|--|---|---|---|---|
|   |   |  |  |    |   |   |
| item 1: 2 front horizontal rails (H-KD), Al extrusion, anodised;<br>item 2: 2 rear horizontal rails (AB), Al extrusion, anodised;<br>item 3: threaded insert, St, zinc-plated;<br>item 4: Zn die-cast support member;<br>item 6: front panel 2 HP, 6 U, shielded; with EMC stainless steel gasket (84:0 without items 4, 6) | Al, 2.5 mm, front anodised, rear iridescent green chromated  |  | Al, 2.5 mm, U-profile with notch, 6 U, 2 HP   | 6 U, die-cast zinc; splitting extrusion is inserted in the grid holes of the horizontal rail; the splitting extrusion can be bolted |   |   |
| <b>Width pitch T1:T2</b><br><b>HP</b>   | <b>PU 1 kit</b>  | <b>1 piece (SPQ 5)</b>   | <b>1 piece (SPQ 5)<sup>1)</sup></b>   | <b>1 piece</b>  |   |   |
| 20:62   | 24562-420  |  |   |   |   |   |
| 40:42   | 24562-440  |  |   |   |   |   |
| 42:40   | 24562-442  | 30847-472  | 30849-140   | 64560-010   |   |   |
| 63:19   | 24562-463  |  |   |   |   |   |
| 84:0  | 24562-484  |  |   |   |   |   |
| Torx countersunk screw<br>M4 x 14, zinc-plated, PU 100 pieces<br>fixing splitting extrusion/horizontal rail   | -  | -  | -   | 24560-145   |   |   |
| Panhead screw<br>M2.5 x 10, St, zinc-plated, PU 100 pieces<br>fixing horizontal rail/splitting extrusion  | -  | -  | -   | 24560-179   |   |   |
| Pozidrive/slotted collar screw<br>M2.5 x 12.3, St, nickel-plated, PU 100 pieces   | -  | 21101-101  | 21101-101   | -   |   |   |
| Pozidrive/slotted collar screw<br>M2.5, black, zinc-plated, PU 100 pieces   | -  | 21101-102  | 21101-102   | -   |   |   |
| Washer<br>2.7 x 5 x 1, plastic PA 6, PU 100 pieces  | -  | 21101-121  | 21101-121   | -   |   |   |
| Textile gasket, core: foam,<br>sleeve: textile cladding with CuNi coating,<br>UL 94 V-0, PU 10 pieces   | -  | -  | 21101-855   | -   |   |   |

■ Subdivision of the 6 U assembly area into:

- 2 x 3 U
- 1 x 6 U

■ Designed to accept Euroboards (100 mm high) and double Euroboards (233.35 mm high)

**Note**

- Please order perforated strips for horizontal rails separately, see page 5.90
- Please order rear centre horizontal rail separately, see page 5.89

# Desk-top cases - *compact PRO*

## Horizontal board installation

### Order Information

| Order Information   |                    | Horizontal board installation   |   |  |  |  |  |                        |                       |   |    |  |  |   |    |  |  |   |    |  |  |                 |                 |                |
|---|--------------------|---|---|--|--|--|--|------------------------|-----------------------|---|----|--|--|---|----|--|--|---|----|--|--|-----------------|-----------------|----------------|
|   |                    | Board cage  | Front frame for EMC shielding   | Front frame, unshielded  |  |  |  |                        |                       |   |    |  |  |   |    |  |  |   |    |  |  |                 |                 |                |
| <p style="text-align: right;">05806092</p>  |                    | <p style="text-align: right;">05806091</p> <p>Struts die-cast zinc; horizontal rails front and rear; threaded insert, St, zinc-plated; fixing material kit; for horizontal mounting of double-height euroboards in 3 or 4 U high subracks/cases; 54 HP space required; <b>please order front frame for EMC shielding separately</b></p> | <p style="text-align: right;">bpa45913</p> <p>2 horizontal covers, Al 2.5 mm, front anodised, rear iridescent green chromated; 2 vertical trims, Al extrusion, clear passivated; stainless steel EMC gasket; front frame forms the contact between subrack and the sub-assemblies</p> | <p style="text-align: right;">bza43061</p> <p>Al, 2.5 mm, clear anodised; front frame with cut-out; clear internal width w = 266.35 mm</p> |  |  |  |                        |                       |   |    |  |  |   |    |  |  |   |    |  |  |                 |                 |                |
| <p>H = usable height (1 TE = 1 HP, 1 HE = 1 U)</p> <table border="1"> <thead> <tr> <th>Height U</th> <th>Usable height h HP</th> <th colspan="2">Other dimensions and options</th> </tr> <tr> <th></th> <th></th> <th>Horizontal rail, front</th> <th>Horizontal rail, rear</th> </tr> </thead> <tbody> <tr> <td>3</td> <td>20</td> <td></td> <td></td> </tr> <tr> <td>3</td> <td>20</td> <td></td> <td></td> </tr> <tr> <td>4</td> <td>28</td> <td></td> <td></td> </tr> </tbody> </table> |                    | Height U  | Usable height h HP  | Other dimensions and options   |  |  |  | Horizontal rail, front | Horizontal rail, rear | 3 | 20 |  |  | 3 | 20 |  |  | 4 | 28 |  |  | <b>PU 1 kit</b> | <b>PU 1 kit</b> | <b>1 piece</b> |
| Height U  | Usable height h HP | Other dimensions and options  |   |  |  |  |  |                        |                       |   |    |  |  |   |    |  |  |   |    |  |  |                 |                 |                |
|   |                    | Horizontal rail, front  | Horizontal rail, rear   |  |  |  |  |                        |                       |   |    |  |  |   |    |  |  |   |    |  |  |                 |                 |                |
| 3   | 20                 |   |   |  |  |  |  |                        |                       |   |    |  |  |   |    |  |  |   |    |  |  |                 |                 |                |
| 3   | 20                 |   |   |  |  |  |  |                        |                       |   |    |  |  |   |    |  |  |   |    |  |  |                 |                 |                |
| 4   | 28                 |   |   |  |  |  |  |                        |                       |   |    |  |  |   |    |  |  |   |    |  |  |                 |                 |                |
| <p>Assembly tool, for mounting the EMC gasket (stainless steel)</p>   |                    | -   | 24560-270   | -  |  |  |  |                        |                       |   |    |  |  |   |    |  |  |   |    |  |  |                 |                 |                |

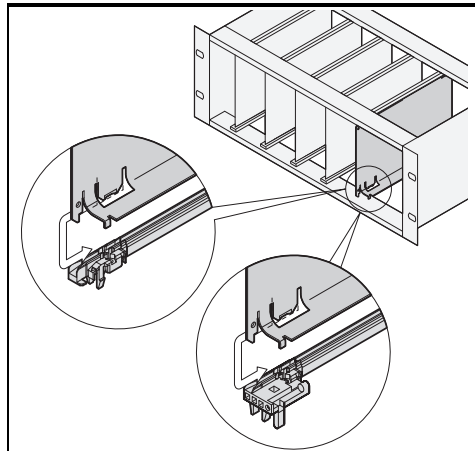
\* For direct backplane mounting

# Desk-top cases - *compacPRO*

## Air baffle for slots

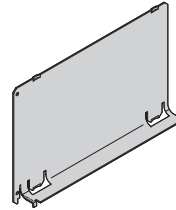
### Order Information

| Depth<br>mm | Width<br>HP | Height<br>U |                  |
|-------------|-------------|-------------|------------------|
| 160         | 4           | 3           | <b>34562-823</b> |
| 160         | 4           | 6           | 34562-826        |
| 160         | 8           | 3           | 34562-833        |
| 160         | 8           | 6           | 34562-836        |
| 160         | 12          | 3           | 34562-843        |
| 160         | 12          | 6           | 34562-846        |
| 220         | 4           | 3           | 34562-824        |
| 220         | 4           | 6           | 34562-827        |
| 220         | 8           | 3           | 34562-834        |
| 220         | 8           | 6           | 34562-837        |
| 220         | 12          | 3           | 34562-844        |
| 220         | 12          | 6           | 34562-847        |



06101507

**Air baffle  
without front panel**



06108085

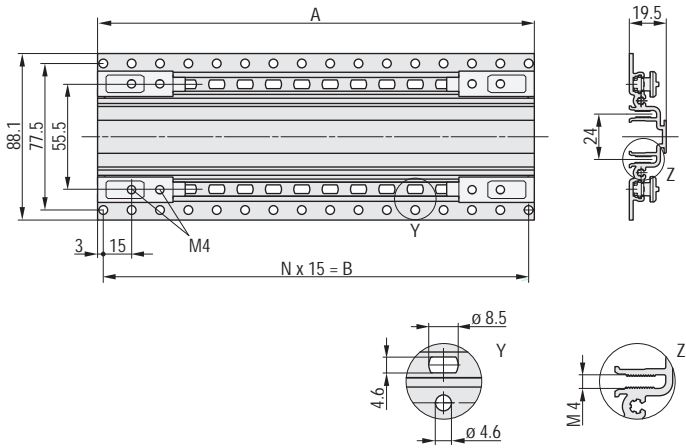
Al, 1 mm, incl. assembly kit; prevents an air short circuit in unoccupied slot positions; is pushed into the groove of the guide rails

**1 piece**

# Desk-top cases - *compacPRO*

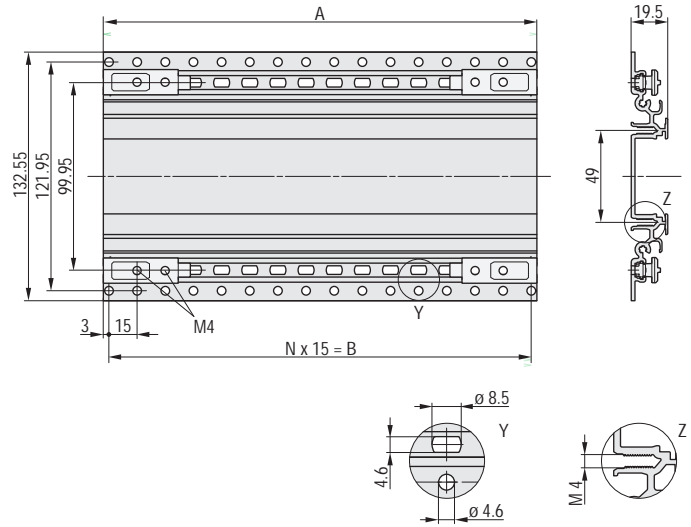
## Dimensions

Extruded side panel 2 U



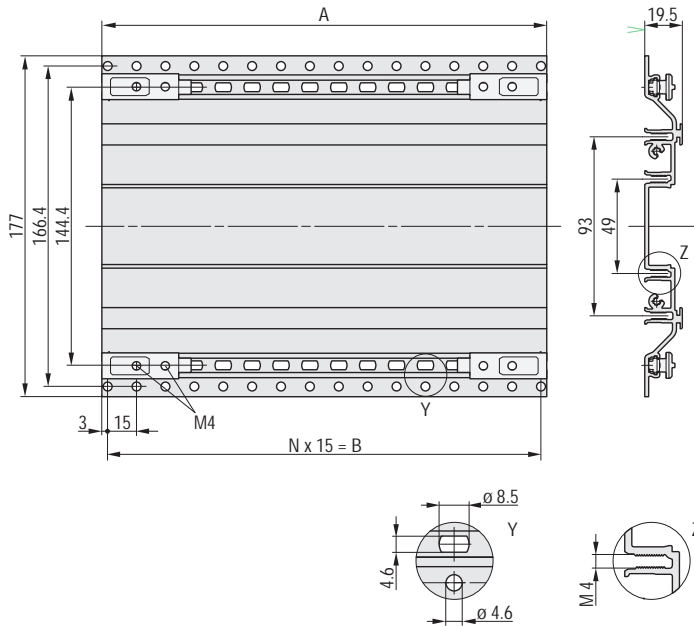
02004057

Extruded side panel 3 U



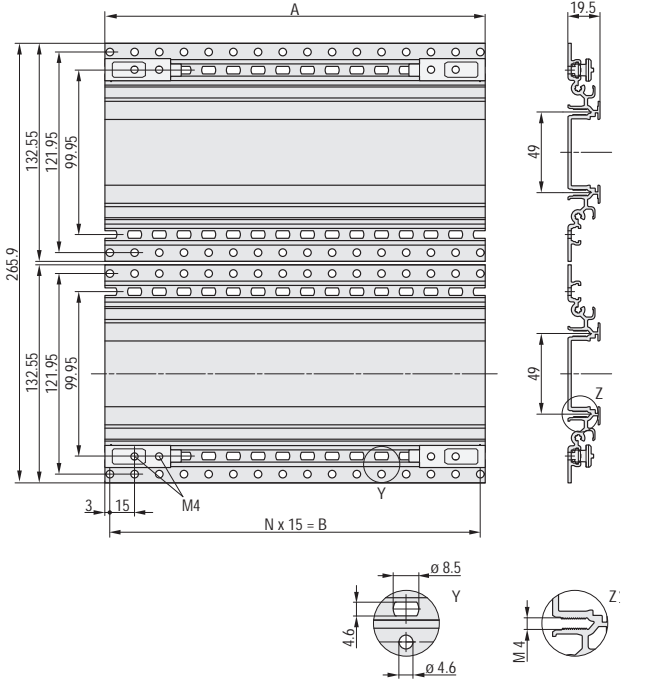
02004058

Extruded side panel 4 U



02004059

Extruded side panel 6 U



02004060

## Dimensions

| For case depth | Max. mounting depth | Dimensions |             |
|----------------|---------------------|------------|-------------|
| mm             | mm                  | A in mm    | B in mm     |
| 271            | 250                 | 231        | 15 15 = 225 |
| 331            | 310                 | 291        | 19 15 = 285 |
| 391            | 370                 | 351        | 23 15 = 345 |
| 451            | 430                 | 411        | 27 15 = 405 |
| 511            | 490                 | 471        | 31 15 = 465 |

### Note

Side panel for 6 U case consists of two 3 U extruded side panels

Desk-top cases - **compacPRO**

|  |          |
|--|----------|
| Overview .....                                       | 0        |
| Cabinets .....                                       | 1        |
| Wall mounted cases .....                             | 2        |
| Accessories for cabinets and wall mounted cases      | 3        |
| Climate control                                      | 4        |
| <b>Desk-top cases</b>                                | <b>5</b> |
| Subracks/<br>19" chassis ...                         | 6        |
| Front panels,<br>plug-in units ..                    | 7        |
| Systems .....  | 8        |
| Power supply<br>units .....                          | 9        |
| Backplanes ..  | 10       |
| Connectors, front<br>panel component<br>system ..... | 11       |
| Appendix ....  | 12       |

**Desk-top cases - *comptec***



02202003

**Standards**

- Internal dimensions in accordance with IEC 60297-3-100
- Type of protection IP 20 in accordance with IEC 60529
- Protective ground connections in accordance with:
  - DIN EN 50178/VDE 0160
  - DIN EN 60950/VDE 0805
  - DIN EN 61010-1/VDE 0411 part 1
  - DIN EN 61010-1A2/VDE 0411 part 1/A1


**Downloads and further important information can be found on the Internet under [www.schroff.biz](http://www.schroff.biz)**

### Case to accept 19" subracks or 19" chassis

- Internal assemblies of up to 40 kg
- Up to six rows of ventilation slots in the base plate for optimal air inlet
- High stability
- Front and rear identical, depth-symmetrical construction
- With handle strip or recessed grip



02202004

#### Case

- Al die-cast frame front and rear
- Top cover and base plate can be subsequently removed
- Top cover and base plate fitted with hidden GND/earth connections
- Case height 3, 4, 6, 7 and 9 U (cladding parts in steel)
- Case height 9 U and 12 U (cladding parts in aluminium)



02202005

#### comptec

|                         |       |
|-------------------------|-------|
| 3, 4 U, St . . . . .    | 5.102 |
| 6, 7, 9 U, St . . . . . | 5.103 |
| 9, 12 U, Al . . . . .   | 5.104 |

#### Accessories

|                          |       |
|--------------------------|-------|
| Folding handle . . . . . | 5.105 |
| Slide rails . . . . .    | 5.105 |
| Earthing kit . . . . .   | 5.106 |
| Assembly kit . . . . .   | 5.106 |
| Tip-up feet . . . . .    | 5.107 |



30407004

### ServicePLUS from page 5.4

e.g. modifications (cut-outs, special colours)  
e.g. custom solutions (special sizes)

e.g. assembly service from 1 piece

[www.schroff.biz/ServicePLUS](http://www.schroff.biz/ServicePLUS)

ServicePLUS . . . 5.4

## Desk-top cases - *comptec*

19" case, 3 U, 4 U



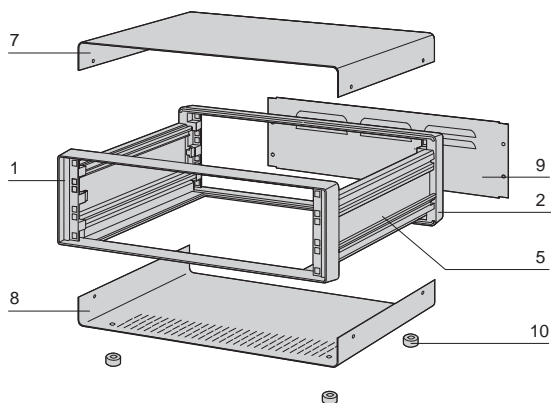
02202001

- Desk-top case (pre-fitted)
- Top cover, base plate and rear panel in steel
- Front and rear frames in die-cast Al
- Ventilation slits in base plate
- Ventilation gills in rear panel
- Side panel with integral handle function

### Delivery comprises (kit)

| Item | Qty | Description   |
|------|-----|---|
| 1    | 1   | Front frame, Al die-cast, RAL 7016, with 19" grid         |
| 2    | 1   | Rear frame, Al die-cast, RAL 7016, with 19" grid          |
| 5    | 2   | Side panel, Al extrusion, RAL 7016                        |
| 7    | 1   | Cover plate, Al, 1 mm, RAL 9006, with GND/earthing tag    |
| 8    | 1   | Base plate, Al, 1 mm, RAL 9006, with GND/earthing tag     |
| 9    | 1   | Rear panel, St, 1 mm, RAL 9006, with GND/earthing tag     |
| 10   | 4   | Case foot with anti-slip protection, PC, black, UL 94 V-0 |
| 11   | 1   | Assembly kit  |

Items 1, 2, 5 and 9 fitted.



CTTP0001

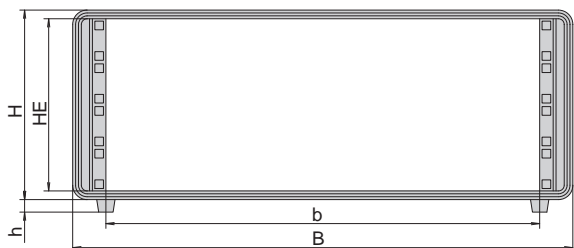
### Order Information

|          | Height H  | h         | Depth D   | Usable depth d | Width B   | Part no.  |
|----------|-----------|-----------|-----------|----------------|-----------|-----------|
| <b>U</b> | <b>mm</b> | <b>mm</b> | <b>mm</b> | <b>mm</b>      | <b>mm</b> |           |
| 3        | 153       | 13.0      | 300       | 276            | 520       | 10225-601 |
| 3        | 153       | 13.0      | 400       | 376            | 520       | 10225-612 |
| 3        | 153       | 13.0      | 500       | 476            | 520       | 10225-623 |
| 4        | 198       | 13.0      | 300       | 276            | 520       | 10225-602 |
| 4        | 198       | 13.0      | 400       | 376            | 520       | 10225-613 |
| 4        | 198       | 13.0      | 500       | 476            | 520       | 10225-624 |

### Note

- Please order GND/earthing kit separately, see page 5.106
- The case foot, item 10, can be replaced by a tip-up foot, see page. 5.107
- Please order slide rails separately, see page 5.105

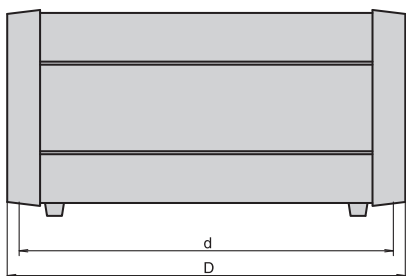
Front view



CTA30677

h = case foot height, HE = U, internal usable height

Side view



CTA42313

Usable width  $b = B - 69$  mm, h = height of case foot



For further information [www.schroff.biz/oneclick](http://www.schroff.biz/oneclick)  
oneClick search code = Part no.



ServicePLUS see page 5.4



## Desk-top cases - *comptec*

19" case, 6 U, 7 U, 9U



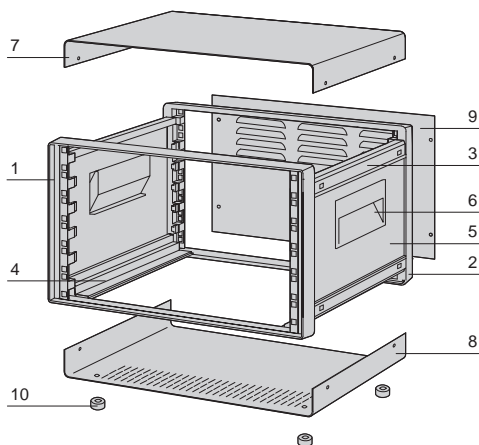
02202002

- Desk-top case (pre-fitted)
- With handle shell
- Top cover, base plate and rear panel in steel
- Front and rear frames in die-cast Al
- Ventilation slits in rear panel and base

### Delivery comprises (kit)

| Item | Qty | Description   |
|------|-----|---|
| 1    | 1   | Front frame, Al die-cast, RAL 7016, with 19" grid                         |
| 2    | 1   | Rear frame, Al die-cast, RAL 7016, with 19" grid                          |
| 3    | 2   | Side profile at top, Al extrusion, RAL 7016                               |
| 4    | 2   | Side profile at bottom, Al extrusion, RAL 7016                            |
| 5    | 2   | Side panel, St, 1.5 mm, RAL 9006, with GND/earthing tag                   |
| 6    | 2   | Handle shell, PC, RAL 7016, UL 94 V-0, load-carrying capacity: 60 kg/pair |
| 7    | 1   | Cover plate, St, 1 mm, RAL 9006, with GND/earthing tag                    |
| 8    | 1   | Base plate, St, 1 mm, RAL 9006, with GND/earthing tag                     |
| 9    | 1   | Rear panel, St, 1 mm, RAL 9006, with GND/earthing tag                     |
| 10   | 4   | Case foot with anti-slip protection, PC, black, UL 94 V-0                 |
| 11   | 1   | Assembly kit  |

Items 1, 2, 3, 4, 5, 6 and 9 fitted.



CTTP0002

### Order Information

|          | Height H |    | Depth D | Usable depth d | Width B | Part no.  |
|----------|----------|----|---------|----------------|---------|-----------|
|          | mm       | mm |         |                |         |           |
| <b>6</b> | 286      | 13 | 300     | 276            | 520     | 10225-604 |
| 6        | 286      | 13 | 400     | 376            | 520     | 10225-615 |
| 6        | 286      | 13 | 500     | 476            | 520     | 10225-626 |
| 6        | 286      | 13 | 600     | 576            | 520     | 10225-637 |
| <b>7</b> | 331      | 13 | 400     | 376            | 520     | 10225-616 |
| 7        | 331      | 13 | 500     | 476            | 520     | 10225-627 |
| 7        | 331      | 13 | 600     | 576            | 520     | 10225-638 |
| <b>9</b> | 420      | 13 | 400     | 376            | 520     | 10225-618 |
| 9        | 420      | 13 | 500     | 476            | 520     | 10225-629 |
| 9        | 420      | 13 | 600     | 576            | 520     | 10225-640 |

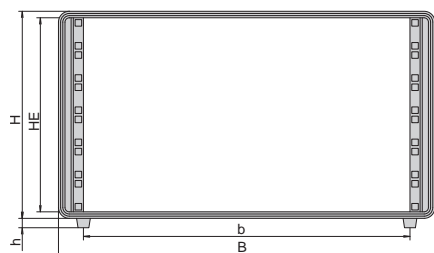
### Note

- Please order GND/earthing kit separately, see page 5.106
- The case foot, item 10, can be replaced by a tip-up foot, see page 5.107
- Please order slide rails separately, see page 5.105
- Handle shell, item 6, can be replaced by a folding handle, see page 5.105



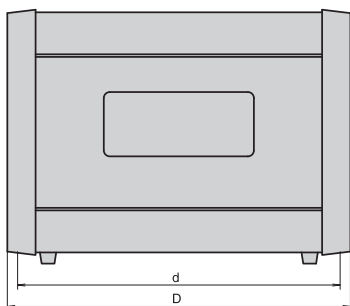
For further information [www.schroff.biz/oneclick](http://www.schroff.biz/oneclick)  
oneClick search code = Part no.

Front view



h = case foot height, HE = U, internal usable height

Side view



Usable depth  $d = D - 24 \text{ mm}$

CTA42312



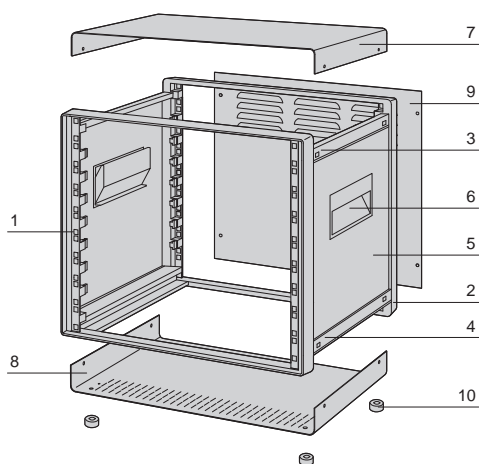
ServicePLUS see page 5.4

## Desk-top cases - *comptec*

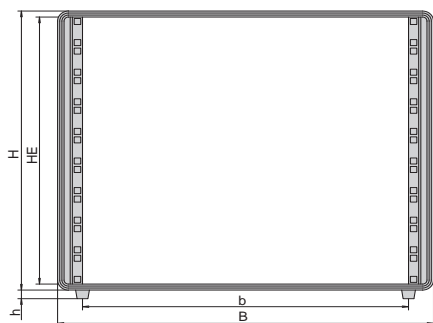
19" cases 9 and 12 U, aluminium



02202006

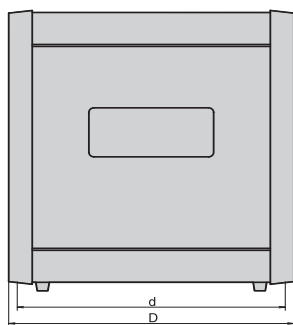


Front view



Usable width  $b = B - 69$  mm,  $h$  = height of case foot

Side view



Usable depth  $d = D - 24$  mm

- Desk-top case (pre-fitted)
- With handle shell
- Top cover, base plate and rear panel in Al
- Front and rear frames in die-cast Al
- Ventilation slots in base plate
- Air vents in rear panel

### Delivery comprises (kit)

| Item | Qty | Description   |
|------|-----|---|
| 1    | 1   | Front frame, Al die-cast, RAL 7016, with 19" grid                         |
| 2    | 1   | Rear frame, Al die-cast, RAL 7016, with 19" grid                          |
| 3    | 2   | Side profile at top, Al extrusion, RAL 7016                               |
| 4    | 2   | Side profile at bottom, Al extrusion, RAL 7016                            |
| 5    | 2   | Side panel, Al, 1.5 mm, RAL 9006, with GND/earthing tag                   |
| 6    | 2   | Handle shell, PC, RAL 7016, UL 94 V-0, load-carrying capacity: 60 kg/pair |
| 7    | 1   | Cover plate, Al, 1 mm, RAL 9006, with GND/earthing tag                    |
| 8    | 1   | Base plate, Al, 1 mm, RAL 9006, with GND/earthing tag                     |
| 9    | 1   | Rear panel, Al, 1 mm, RAL 9006, with GND/earthing tag                     |
| 10   | 4   | Case foot with anti-slip protection, PC, black, UL 94 V-0                 |
| 11   | 1   | Assembly kit  |

Items 1, 2, 3, 4, 5, 6 and 9 fitted.

### Order Information

|          | Height H | h  | Depth D | Usable depth d | Width B | Part no.  |
|----------|----------|----|---------|----------------|---------|-----------|
| <b>U</b> | mm       | mm | mm      | mm             | mm      |           |
| 9        | 420      | 13 | 400     | 376            | 520     | 10225-667 |
| 9        | 420      | 13 | 500     | 476            | 520     | 10225-682 |
| 9        | 420      | 13 | 600     | 576            | 520     | 10225-693 |
| 12       | 553      | 13 | 400     | 376            | 520     | 10225-670 |
| 12       | 553      | 13 | 500     | 476            | 520     | 10225-685 |
| 12       | 553      | 13 | 600     | 576            | 520     | 10225-696 |

CTTP0003

### Note

- Please order GND/earthing kit separately, see page 5.106
- The case foot, item 10, can be replaced by a tip-up foot, see page 5.107
- Please order slide rails separately, see page 5.105
- Handle shell, item 6, can be replaced by a folding handle, see page 5.105

CTA30679



For further information [www.schroff.biz/oneclick](http://www.schroff.biz/oneclick)  
oneClick search code = Part no.

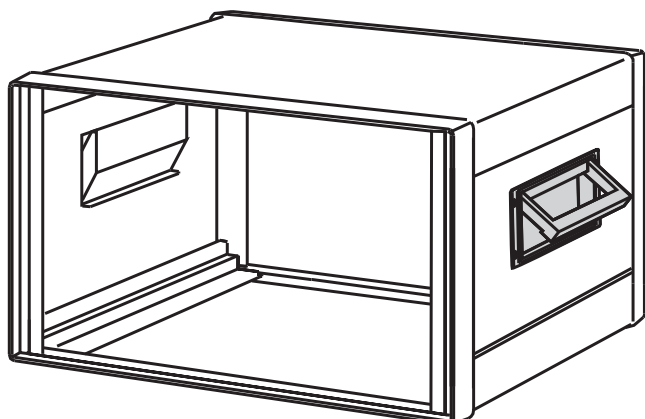
CTA42314



ServicePLUS see page 5.4

## Desk-top cases - *comptec*

### Folding handle



CTTP0006

- Folding handles can be used instead of the pre-fitted handle shells
- Load-carrying capacity: 50 kg/pair

#### Delivery comprises (kit)

| Item | Qty | Description                           |
|------|-----|---------------------------------------|
| 1    | 2   | Folding handle, Al die-cast, RAL 7016 |
| 2    | 1   | Assembly kit                          |

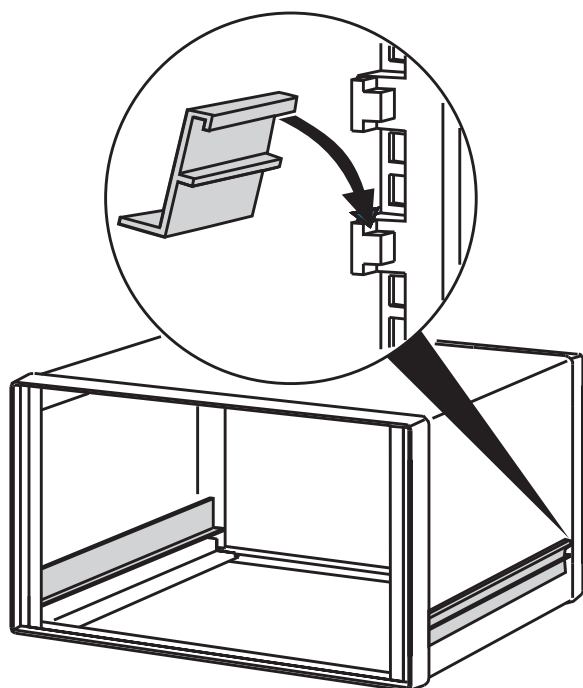
#### Order Information

| Description    | Part no.  |
|----------------|-----------|
| Folding handle | 20225-439 |



For further information [www.schroff.biz/oneclick](http://www.schroff.biz/oneclick)  
oneClick search code = Part no.

### Slide rails



CTTP0005

- Slide rails are suitable as support for 19" subracks and 19" chassis

#### Delivery comprises

| Item | Qty | Description  |
|------|-----|--|
| 1    | 1   | Slide rail, Al extrusion, anodised, cut edges plain, static load-carrying capacity 10 kg |

#### Order Information

| For case depth<br>mm | Part no.  |
|----------------------|-----------|
| 300                  | 30225-089 |
| 400                  | 30225-090 |
| 500                  | 30225-091 |
| 600                  | 30225-092 |

#### Note

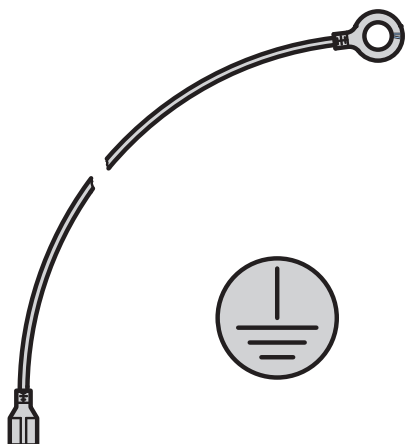
- 2 slide rails are required per subrack or 19" chassis
- Slide rail cannot be used for shielded 19" subracks; special slide rails available on request



For further information [www.schroff.biz/oneclick](http://www.schroff.biz/oneclick)  
oneClick search code = Part no.

## Desk-top cases - *comptec*

### GND/earthing kit



aza43294

- The GND/earthing kit allows VDE compliant earthing of cases in accordance with:  
EN 50178/VDE 0160  
EN 60950/VDE 0805  
EN 61010-1/VDE 0411 part 1  
EN 61010-1A2/VDE 0411 part 1/A

- VDE tested

#### Delivery comprises (kit)

| Item | Qty | Description  |
|------|-----|--|
| 1    | 1   | GND/earthing kit, Cu wire, 1.5 mm <sup>2</sup> , PVC sheathing, green/yellow, connects side panels, cover, base plate and rear panel |

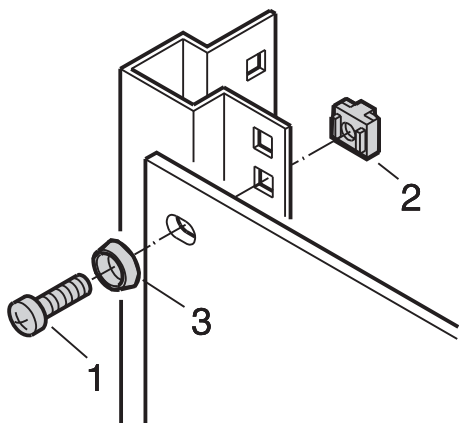
#### Order Information

| Description                                      | Up to 4 U | bigger than 4 U |
|--|-----------|-----------------|
|  | Part no.  | Part no.        |
| GND/earthing kit for cases with steel covers     | 21100-490 | 21100-448       |
| GND/earthing kit for cases with aluminium covers | -         | 21100-347       |



For further information [www.schroff.biz/oneclick](http://www.schroff.biz/oneclick)  
oneClick search code = Part no.

### 19" fixing



SC128XXX

- For fitting subracks or 19" chassis in a comptec case
- For fixing 19" front panels

#### Delivery comprises

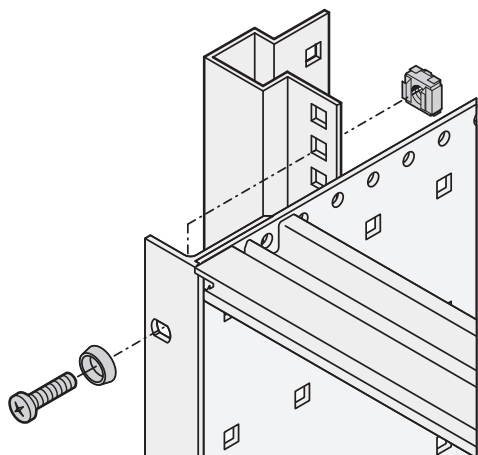
| Item | Description                               |
|------|---|
| 1    | Screw M6 x 16, zinc-plated with Pozidrive |
| 2    | Cage nut M6, zinc-plated                  |
| 3    | Plastic washer, ABS, black                |

#### Order Information

| Description                                    | Part no.  |
|--|-----------|
| PU = 8 x screw, washer, nut                    | 21100-435 |
| PU = 50 each of M6 screw, washer and cage nut  | 21101-809 |
| PU = 100 each of M6 screw, washer and cage nut | 21101-810 |



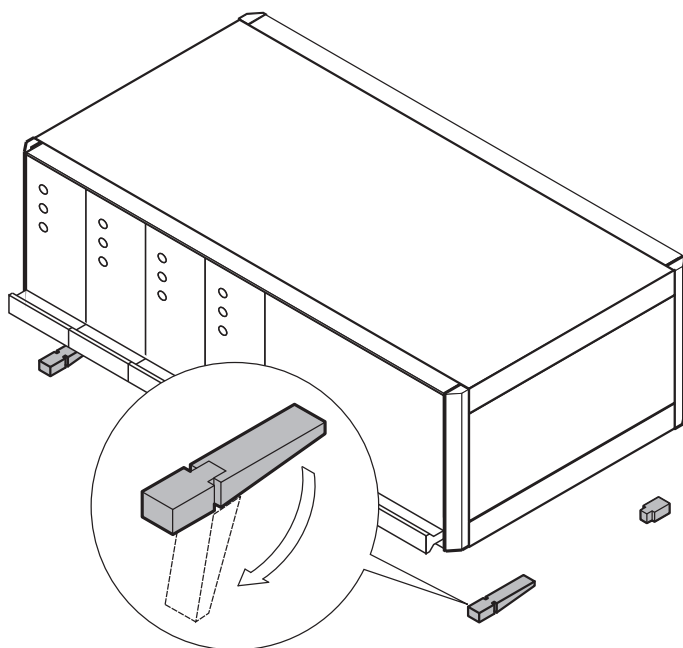
For further information [www.schroff.biz/oneclick](http://www.schroff.biz/oneclick)  
oneClick search code = Part no.



06108055

## Desk-top cases - *comptec*

### Plastic tip-up feet



- Static load-carrying capacity 25 kg per foot
- Tip-up feet can be used instead of the case feet fitted as standard
- Fixing holes provided in bottom of case

#### Delivery comprises (kit)

| Item | Qty | Description                  |
|------|-----|------------------------------|
| 1    | 4   | Foot, PA, UL 94 V-0          |
| 2    | 4   | Anti-slip protection, TPE    |
| 3    | 2   | Tip-up device, PA, UL 94 V-0 |
| 4    | 1   | Assembly kit                 |

#### Order Information

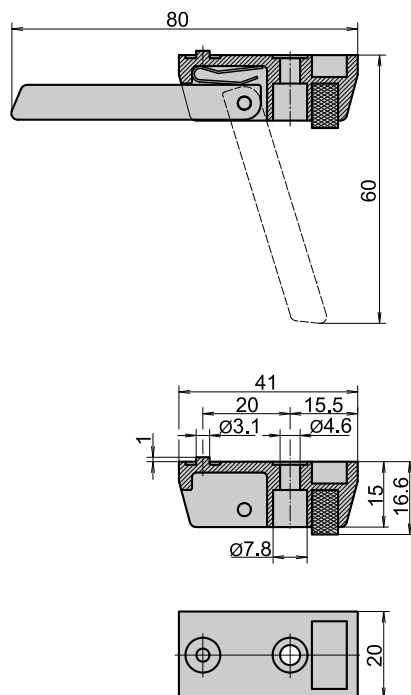
| Description         | RAL 7016   | RAL 9006  |
|---------------------|------------|-----------|
|                     | anthracite | silver    |
|                     | Part no.   | Part no.  |
| Plastic tip-up foot | 20603-002  | 20603-001 |



For further information [www.schroff.biz/oneclick](http://www.schroff.biz/oneclick)  
oneClick search code = Part no.

01802075

### Tip-up foot in die-cast Al



- Static load-carrying capacity 50 kg per foot
- Tip-up feet can be used instead of the case feet fitted as standard
- Fixing holes provided in bottom of case

#### Order Information

| Description   | Qty                            | Part no.  |
|---|--------------------------------|-----------|
| Foot with tip-up, Al die-cast, silver                                     | 1 piece (SPQ 10) <sup>1)</sup> | 10603-002 |
| Foot without tip-up, Al die-cast, silver                                  | 1 piece (SPQ 10) <sup>1)</sup> | 10603-001 |
| <b>Cheesehead screw with slot</b> M4 x 12, St, zinc-plated, PU 100 pieces |                                | 21101-211 |
| <b>Hexagon nut</b> M4, St, zinc-plated, PU 100 pieces                     |                                | 21100-211 |
| <b>Spring washer</b> A4, St, zinc-plated, PU 100 pieces                   |                                | 21100-207 |

1) Part no. comprises 1 piece;  
delivery is in standard pack quantity (SPQ):  
please order a minimum of 10 feet or a multiple

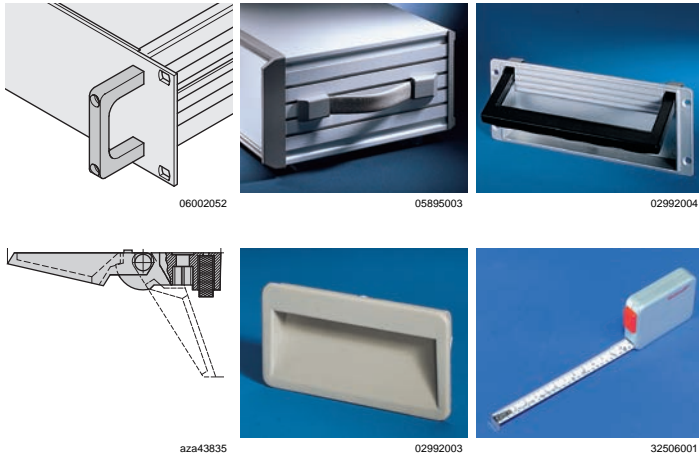


For further information [www.schroff.biz/oneclick](http://www.schroff.biz/oneclick)  
oneClick search code = Part no.

AZA43836

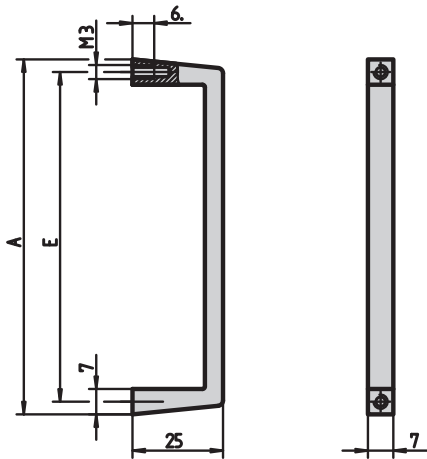
## Desk-top cases - Accessories

### Contents



- Front handles see page 5.108
- Strap handles see page 5.111
- Tip-up carrying handles, see page 5.112
- Folding handles see page 5.113
- Tray handle see page 5.114
- Feet, see page 5.115
- Screwdriver (Torx) 5.117
- Measuring tape, see page 5.117

### Front handle, one-piece, width 7 mm



- Static load-carrying capacity 10 kg/pair
- Bolted from rear

#### Delivery comprises (kit)

| Item | Qty | Description                          |
|------|-----|--------------------------------------|
| 1    | 1   | Front handle, Al extrusion, anodised |

#### Order Information

| A  | E  | Part no.  |
|----|----|-----------|
| mm | mm |           |
| 48 | 40 | 10501-001 |
| 98 | 90 | 10501-002 |

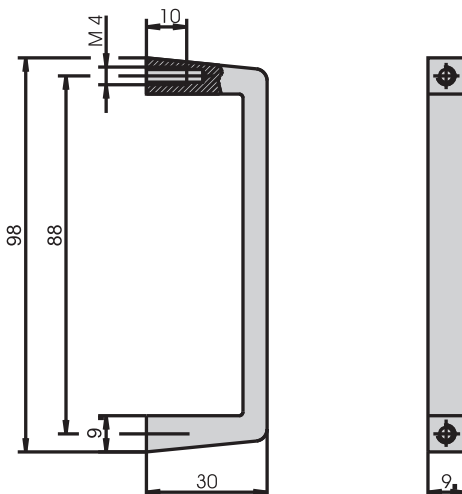
Delivery is exclusively in Standard Pack Quantity (SPQ):  
Please order at least 10 pieces or a multiple.  
Pricing is per individual item.

BZA42318



For further information [www.schroff.biz/oneclick](http://www.schroff.biz/oneclick)  
oneClick search code = Part no.

### Front handle, one-piece, width 9 mm



- Static load-carrying capacity 30 kg/pair
- Bolted from rear

#### Delivery comprises (kit)

| Item | Qty | Description                          |
|------|-----|--------------------------------------|
| 1    | 1   | Front handle, Al extrusion, anodised |

#### Order Information

| Description  | Part no.  |
|--|-----------|
| Front handle   | 10501-003 |
| <b>Pozidrive countersunk screw</b> 14 x 10, zinc-plated, PU 100 pieces | 21101-381 |

Delivery is exclusively in Standard Pack Quantity (SPQ):  
Please order at least 10 front handles or a multiple.  
Pricing is per individual item.

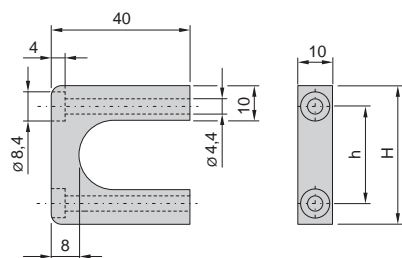
BZA42330



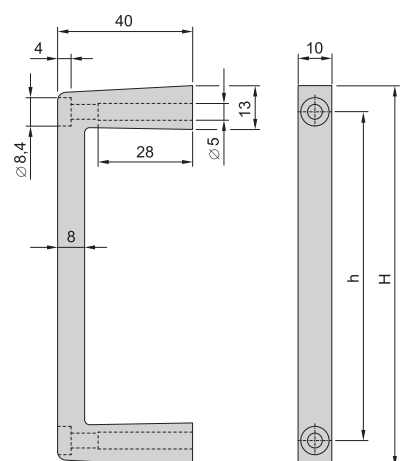
For further information [www.schroff.biz/oneclick](http://www.schroff.biz/oneclick)  
oneClick search code = Part no.

## Desk-top cases - Accessories

### Front handle, one-piece, width 10 mm



H = 1 U



H ≥ 2 U

02905050

- Static load-carrying capacity 30 kg/pair
- Bolted from front

#### Delivery comprises (kit)

| Item | Qty | Description                          |
|------|-----|--------------------------------------|
| 1    | 2   | Front handle, Al extrusion, anodised |
| 2    | 1   | Assembly kit                         |

#### Order Information

| Height H | Height H | Height h | Part no.  |
|----------|----------|----------|-----------|
| U        | mm       | mm       |           |
| 1        | 40       | 28       | 20860-256 |
| 2        | 69       | 53       | 20860-257 |
| 3        | 113      | 97.5     | 20860-258 |
| 4        | 157.45   | 141.9    | 20860-259 |
| 5        | 201.9    | 186.4    | 20860-260 |



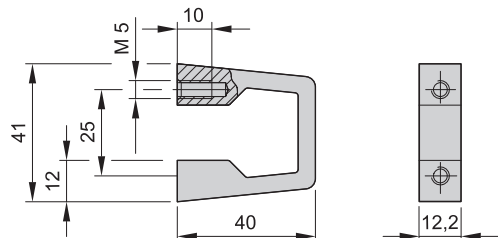
For further information [www.schroff.biz/oneclick](http://www.schroff.biz/oneclick)

oneClick search code = Part no.

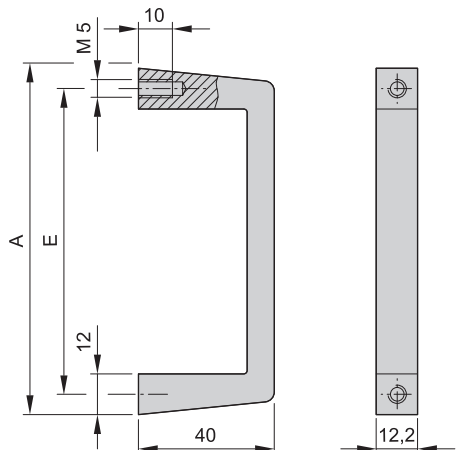
02905051

### Front handle, one-piece, width 12.2 mm

1 U



2 U ... 6 U



BZA42316

- Static load-carrying capacity 30 kg/pair
- Bolted from rear

#### Delivery comprises

| Item | Qty | Description                          |
|------|-----|--------------------------------------|
| 1    | 1   | Front handle, Al extrusion, anodised |

#### Order Information

| A     | E     | clear anodised | black anodised |
|-------|-------|----------------|----------------|
| mm    | mm    | Part no.       | Part no.       |
| 41    | 25    | 10501-116      | -              |
| 57.5  | 44.5  | 10501-016      | -              |
| 69    | 55    | 10501-004      | 10501-025      |
| 102   | 88    | 10501-005      | 10501-026      |
| 132   | 120   | 10501-006      | 10501-027      |
| 146.4 | 133.4 | 10501-018      | -              |
| 194   | 180   | 10501-007      | 10501-028      |
| 249   | 235   | 10501-008      | 10501-029      |

**Panhead pozidrive screw** self-locking, M5 × 12, zinc-plated, PU 100 pieces 21100-788

**Torx countersunk screw** M5 × 12, zinc-plated, 100 pieces 24560-183

Delivery is exclusively in Standard Pack Quantity (SPQ): Please order at least 10 front handles or a multiple. Pricing is per individual item.

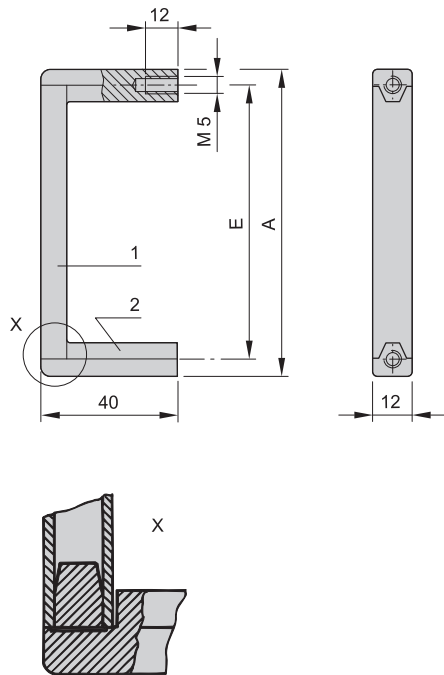
#### Note

- Please order panhead screws separately

BZA42327

## Desk-top cases - Accessories

### Front handle, multi-piece, width 12 mm



- Static load-carrying capacity 10 kg/pair
- In three parts, middle section in Al extrusion, end pieces in glass fibre reinforced plastic
- Bolts on from front

#### Delivery comprises (kit)

| Item | Qty | Description                          |
|------|-----|--------------------------------------|
| 1    | 1   | Front handle, Al extrusion, anodised |
| 2    | 2   | End piece, PA, black                 |

#### Order Information

| A     | E    | Part no.  |
|-------|------|-----------|
| mm    | mm   |           |
| 87.5  | 73.5 | 10502-050 |
| 102.0 | 88   | 10502-057 |
| 134.0 | 120  | 10502-059 |
| 194.0 | 180  | 10502-063 |
| 249   | 235  | 10502-065 |

**Panhead screw pozidrive** self-locking, M5 x 12, zinc-plated, PU 100 pieces 21100-788

Delivery is exclusively in Standard Pack Quantity (SPQ):

Please order at least 10 front handles or a multiple.

Pricing is per individual item.

A3-227

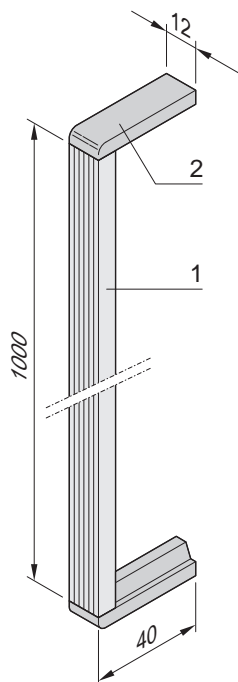
#### Note

- Please order panhead screws separately



For further information [www.schroff.biz/oneclick](http://www.schroff.biz/oneclick)  
oneClick search code = Part no.

### Front handle, multi-piece, width 12 mm



#### Order Information

| Description  | Qty/PU | Part no.  |
|--|--------|-----------|
| Item 1, front handle, Al extrusion, anodised, 1 m long                           | 1      | 30502-051 |
| Item 2, end piece, PA, black, 2 pieces each required                             | 1      | 60502-003 |
| <b>Panhead pozidrive screw</b> self-locking, M5 x 12, zinc-plated, PU 100 pieces |        | 21100-788 |

02908050

Item 1: front handle; item 2: end piece



## Desk-top cases - Accessories

### Strap handle, width 25 mm



- Static load-carrying capacity 20 kg

#### Delivery comprises (kit)

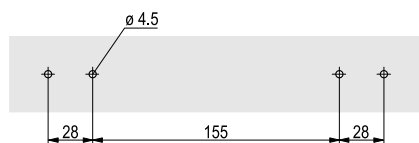
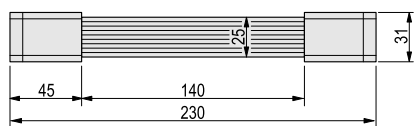
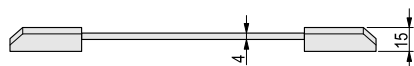
| Item | Qty | Description  |
|------|-----|--|
| 1    | 1   | Band, spring steel, handle, flexible plastic, grey, RAL 7016 |
| 2    | 2   | Cover, grey, RAL 7016  |
| 3    | 1   | Assembly kit   |

#### Order Information

| Length<br>mm | Part no.  |
|--------------|-----------|
| 230          | 20850-249 |

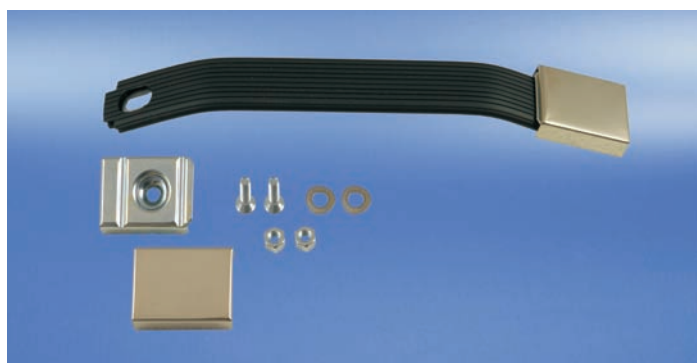


For further information [www.schroff.biz/oneclick](http://www.schroff.biz/oneclick)  
oneClick search code = Part no.



02902050

### Strap handle, width 22 mm



- Static load-carrying capacity 20 kg

#### Delivery comprises (kit)

| Item | Qty | Description                               |
|------|-----|---|
| 1    | 1   | Band, spring steel, plastic-coated, black |
| 2    | 2   | Cover cap, St, chrome-plated              |
| 3    | 1   | Assembly kit                              |

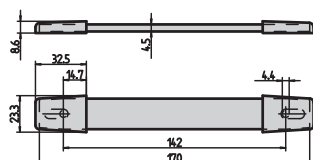
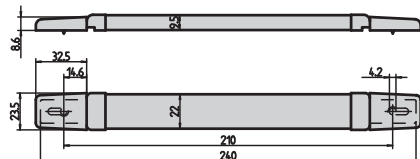
#### Order Information

| Length<br>mm | Part no.  |
|--------------|-----------|
| 170          | 10504-002 |
| 240          | 10504-003 |



For further information [www.schroff.biz/oneclick](http://www.schroff.biz/oneclick)  
oneClick search code = Part no.

Length 240 mm/170 mm



B2A42368

## Desk-top cases – Accessories

### Tip-up carrying handle in separate parts



02992002

02992001

- Static load-carrying capacity 25 kg (with handle bars of 450 mm length)

### Lateral handle parts



02992002

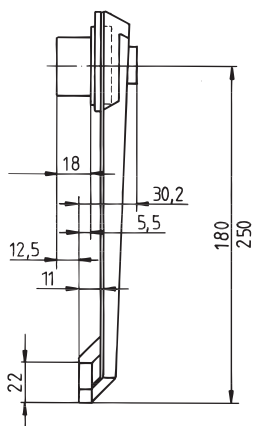
- Handle can be adjusted in 30° grid by pressing button

#### Delivery comprises (kit)

| Item | Qty | Description  |
|------|-----|--|
| 1    | 2   | Lateral parts, die-cast zinc, painted (chrome decor) |
| 2    | 2   | Safety inserts, St, 1.5 mm, black                    |
| 3    | 2   | Adaptor/locking brackets                             |
| 4    | 1   | Assembly kit   |

#### Order Information

| Length<br>mm | Part no.  |
|--------------|-----------|
| 180          | 10502-297 |
| 250          | 10502-296 |



A4-2361



For further information [www.schroff.biz/oneclick](http://www.schroff.biz/oneclick)  
oneClick search code = Part no.

### Handle bar



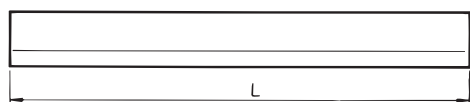
02992001

#### Delivery comprises (kit)

| Item | Qty | Description                    |
|------|-----|--------------------------------|
| 1    | 1   | Handle bar, Al, black anodised |

#### Order Information

| Length<br>mm | Part no.  |
|--------------|-----------|
| 1000         | 30502-191 |



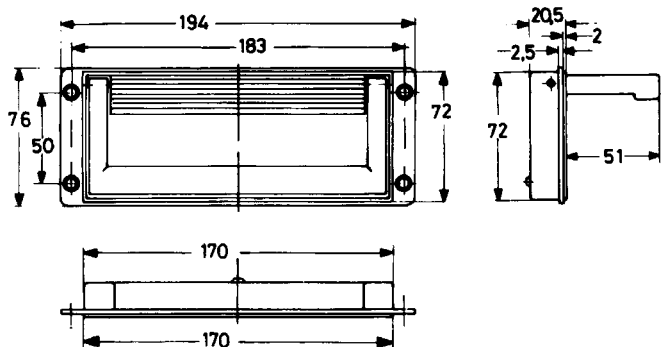
A4-2367



For further information [www.schroff.biz/oneclick](http://www.schroff.biz/oneclick)  
oneClick search code = Part no.

## Desk-top cases - Accessories

### Folding metal handle



02992004

- Static load-carrying capacity 30 kg/pair
- For case ingress protection to IP 40
- Locks in folded and opened positions
- Equal cut-out for fitting in front of or behind case wall

#### Delivery comprises (kit)

| Item | Qty | Description                                 |
|------|-----|---|
| 1    | 1   | Handle, Al die-cast, RAL 9005, black        |
| 2    | 1   | Handle shell, Al die-cast, RAL 9006, silver |

#### Order Information

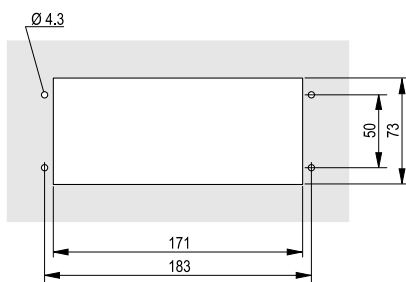
| Description          | Part no.  |
|----------------------|-----------|
| Folding metal handle | 20505-032 |

Delivery is exclusively in Standard Pack Quantity (SPQ): Please order at least 10 pieces or a multiple. Pricing is per individual item.



For further information [www.schroff.biz/oneclick](http://www.schroff.biz/oneclick)  
oneClick search code = Part no.

A4-2369

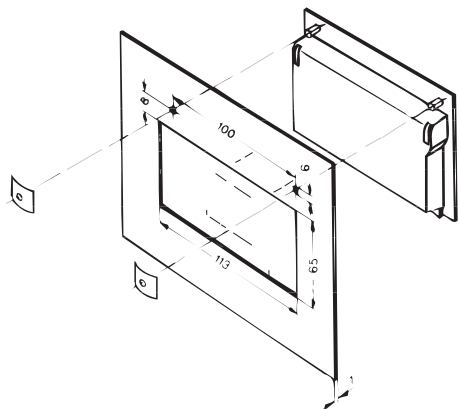


A4-2370

### Folding plastic handle



Folding plastic handle



02992005

- Static load-carrying capacity 20 kg/pair
- For case ingress protection to IP 40
- Locks in folded and opened positions
- External mounting only

#### Delivery comprises (kit)

| Item | Qty | Description                 |
|------|-----|-----------------------------|
| 1    | 1   | Handle, PA, light grey      |
| 2    | 1   | Handle shell, PA, dark grey |
| 3    | 1   | Assembly kit                |

#### Order Information

| Description            | Part no.  |
|------------------------|-----------|
| Folding plastic handle | 10505-014 |

Delivery is exclusively in Standard Pack Quantity (SPQ): Please order at least 10 pieces or a multiple. Pricing is per individual item.



For further information [www.schroff.biz/oneclick](http://www.schroff.biz/oneclick)  
oneClick search code = Part no.

A2-123

## Desk-top cases - Accessories

### Tray handle



- Static load-carrying capacity 30 kg/pair

#### Delivery comprises

| Item | Qty | Description                 |
|------|-----|-----------------------------|
| 1    | 1   | Handle shell, PC, UL 94 V-0 |

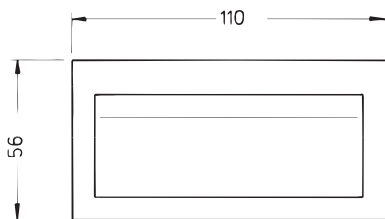
#### Order Information

| Colour                           | Size 1 for material thickness 1.5 mm<br>Part no. | Size 1 for material thickness 2.5 mm<br>Part no. | Size 2 for material thickness 1.5 mm<br>Part no. |
|----------------------------------|--|--|--|
| grey-brown                       | 60229-002  | 60229-001  | 60225-015  |
| black                            | 60229-004  | 60229-003  | 60225-012  |
| RAL 7016                         | -  | -  | 20225-167  |
| <b>Spring clip PU 20 pieces</b>  |  |  | 21100-089  |
| <b>Spring clip PU 100 pieces</b> |  |  | 21100-093  |

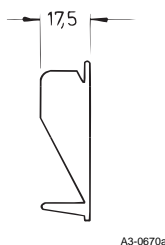
Delivery is exclusively in Standard Pack Quantity (SPQ):  
Please order a minimum of 10 tray handles or a multiple.  
Pricing is per individual item.

#### Note

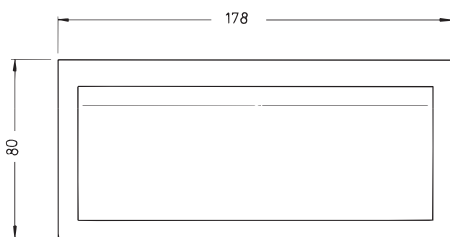
- Please order spring clips for fixing to the case separately  
**Required:**
  - for handle size 1: 2 spring clips
  - for handle size 2: 3 spring clips



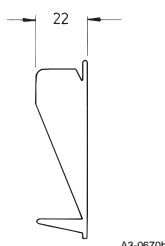
Size 1, case cut-out 49 x 104 mm



A3-0670a



Size 2, case cut-out 73 x 171 mm



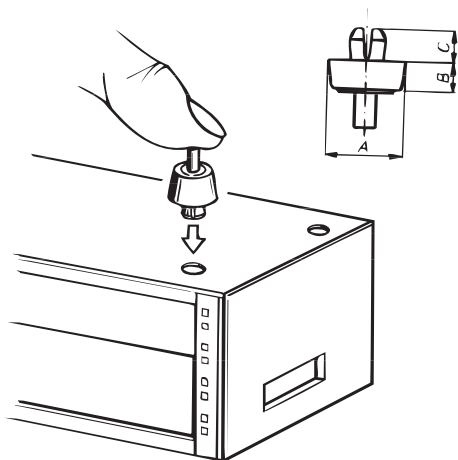
A3-0670b



For further information [www.schroff.biz/oneclick](http://www.schroff.biz/oneclick)  
oneClick search code = Part no.

## Desk-top cases - Accessories

### Plastic foot



#### Delivery comprises

| Pos. | Menge | Beschreibung                       |
|------|-------|------------------------------------|
| 1    | 1     | Plastic foot, PC, UL 94 V-0, black |

#### Order Information

| Description                      | Dimensions |     |   | Hole diameter | Part no.  |
|----------------------------------|------------|-----|---|---------------|-----------|
|                                  | A          | B   | C |               |           |
| For material thickness 1 ... 3   | 16         | 7.2 | 4 | 7             | 60224-009 |
| For material thickness 1.5 ... 3 | 21         | 15  | 7 | 7.7           | 60224-011 |

Delivery is exclusively in Standard Pack Quantity (SPQ): Please order at least 50 pieces or a multiple. Pricing is per individual item.

#### Note

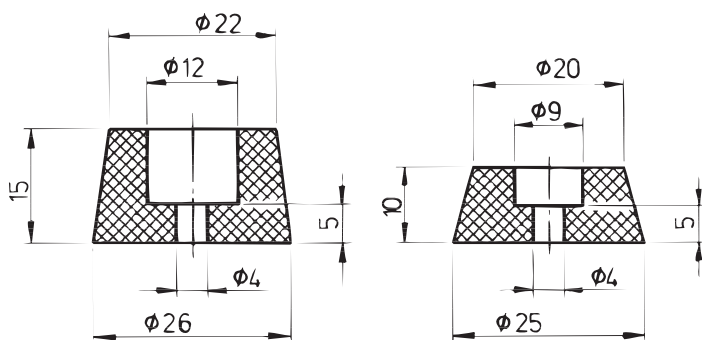
- Foot is inserted into mounting hole and then fixed by pressing in the expanding pin

A4-330



For further information [www.schroff.biz/oneclick](http://www.schroff.biz/oneclick)  
oneClick search code = Part no.

### Rubber foot



A4-2315

#### Order Information

| Dimensions | Material | Colour | Qty | Part no.  |
|------------|----------|--------|-----|-----------|
| Height     |          |        |     |           |
| mm         |          |        |     |           |
| 10         | Rubber   | grey   | 1   | 60200-001 |
| 15         | Rubber   | grey   | 1   | 60200-027 |

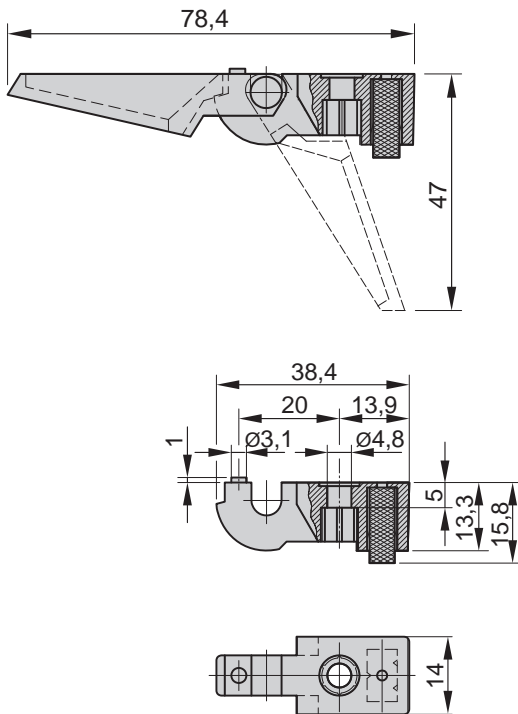
Delivery is exclusively in Standard Pack Quantity (SPQ): Please order at least 50 pieces or a multiple. Pricing is per individual item.



For further information [www.schroff.biz/oneclick](http://www.schroff.biz/oneclick)  
oneClick search code = Part no.

## Desk-top cases - Accessories

### Plastic tip-up foot



- Static load-carrying capacity 25 kg per foot
- Can be used instead of standard feet
- Fixing holes provided in bottom of case

#### Order Information

| Description   | Qty/PU | grey<br>Part no. | black<br>Part no. |
|---|--------|------------------|-------------------|
| Foot with tip-up, PA, UL 94 HB  | 1      | 10603-023        | 10603-025         |
| Foot without tip-up, PA, UL 94 HB                                       | 1      | 10603-024        | 10603-026         |
| <b>Pozidrive flathead screw</b> M4 x 10, St, zinc-plated, PU 100 pieces |        |                  | 21100-513         |
| <b>Hexagon nut</b> M4, St, zinc-plated, PU 100 pieces                   |        |                  | 21100-211         |
| <b>Spring washer</b> A4, St, zinc-plated, PU 100 pieces                 |        |                  | 21100-207         |

Delivery is exclusively in Standard Pack Quantity (SPQ):  
Please order a minimum of 10 feet or a multiple.  
Pricing is per individual item.

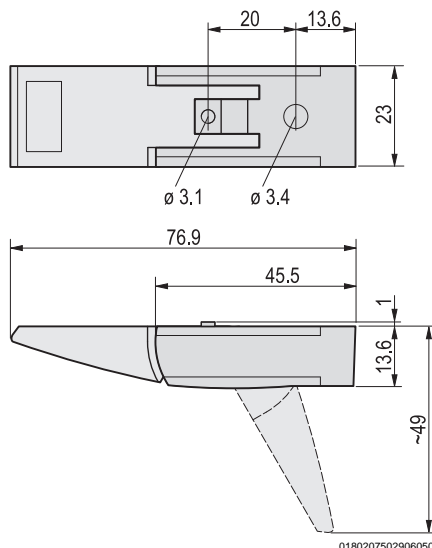
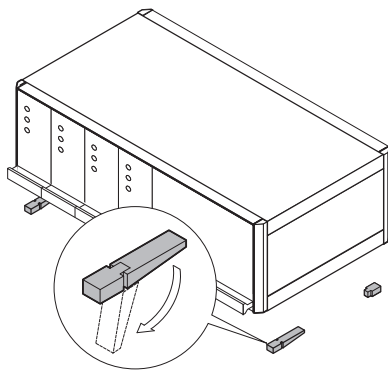
#### Note

- Please order assembly kit separately.



For further information [www.schroff.biz/oneclick](http://www.schroff.biz/oneclick)  
oneClick search code = Part no.

### Plastic tip-up feet



- Static load-carrying capacity 25 kg per foot
- Can be used instead of standard feet
- Fixing holes provided in bottom of case

#### Delivery comprises (kit)

| Item | Qty | Description                  |
|------|-----|------------------------------|
| 1    | 4   | Foot, PA, UL 94 V-0          |
| 2    | 4   | Anti-slip protection, TPE    |
| 3    | 2   | Tip-up device, PA, UL 94 V-0 |
| 4    | 1   | Assembly kit                 |

#### Order Information

| Description         | RAL 7016<br>anthracite<br>Part no. | RAL 9006<br>silver<br>Part no. |
|---------------------|------------------------------------|--------------------------------|
| Plastic tip-up foot | 20603-002                          | 20603-001                      |



For further information [www.schroff.biz/oneclick](http://www.schroff.biz/oneclick)  
oneClick search code = Part no.



