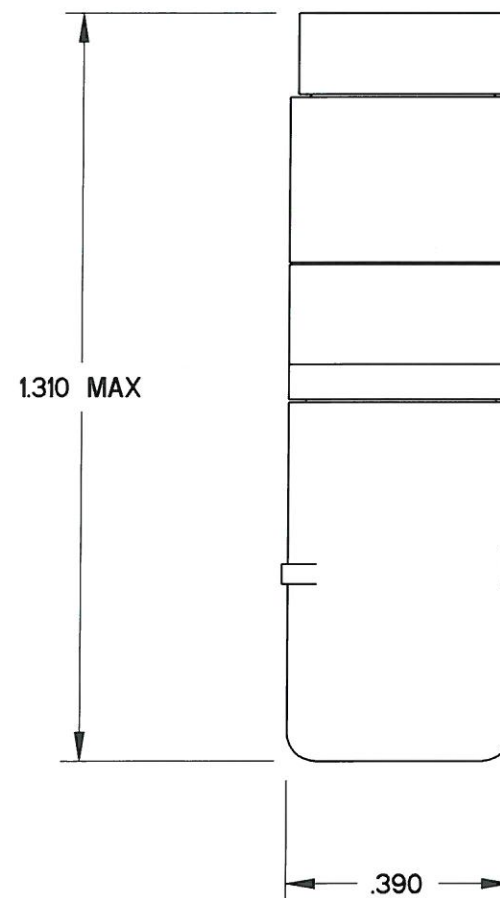
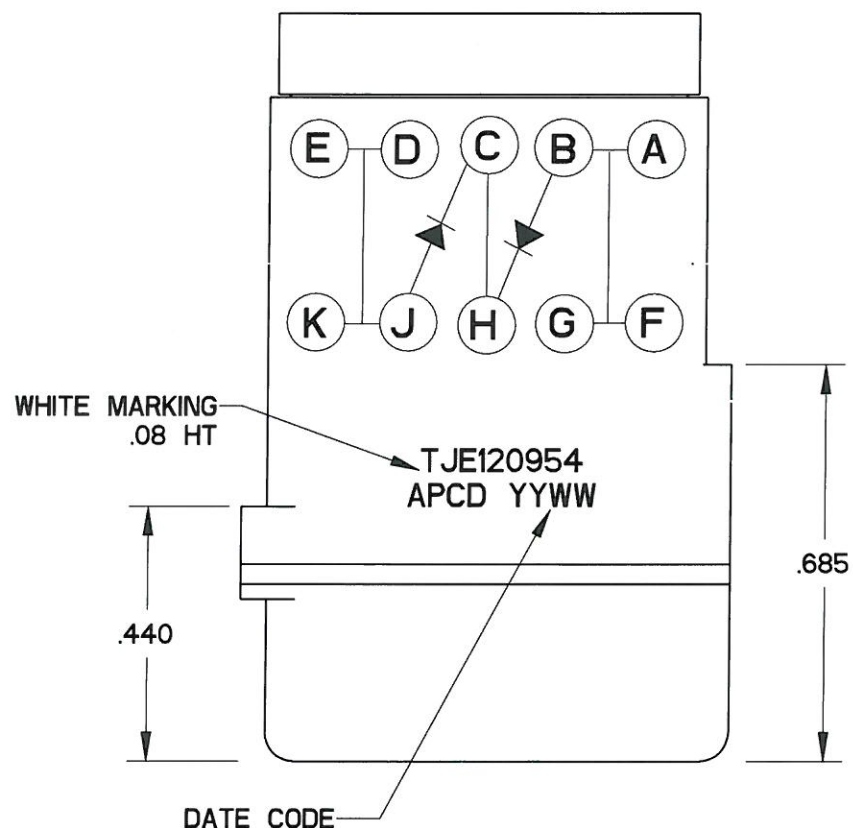
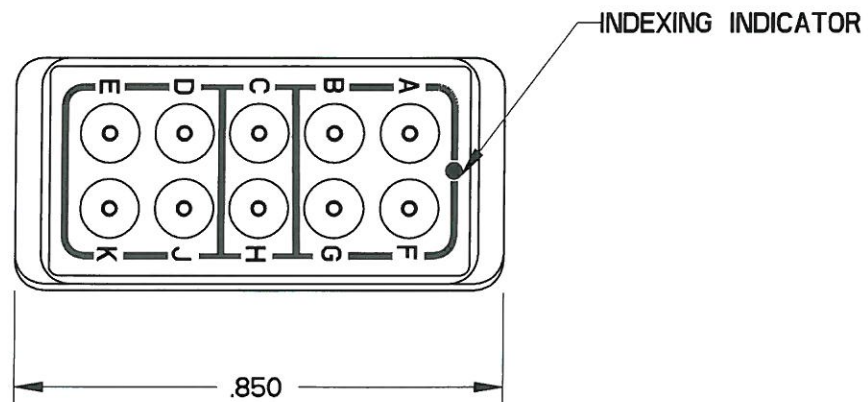


REV	ECN	APP'D
-	6585	<i>[Signature]</i> 9/15/10



- NOTES:
- MATERIALS:  
HOUSING - POLYETHERIMIDE, COLOR: BLACK.  
GROMMET - SILICONE ELASTOMER, COLOR: BLUE  
DIODE: 1N2071 (2 PLACES)
  - MODULE ACCEPTS M39029/1-101 PIN CONTACTS (NOT INCLUDED)

<b>DIMENSIONS</b> ANSI Y14.5M UNITS: INCHES Pro/E FILE	<b>TOLERANCES</b> .XX ±0.01 .XXX ±0.005 ANGLES ±10°	<b>PROJECTION</b> 	<b>Amphenol Pcd</b> SPECIFICATION DRAWING			<b>TITLE</b> ELECTRONIC MODULE DIODE, SIZE 20		
			DRWN R. NEWMAN 27-Aug-10	ENGR <i>[Signature]</i> 9/15/10	APPD <i>[Signature]</i> 9/15/10	SIZE <b>B</b>	DWG NO. <b>TJE120954</b>	REV -
ORIGINAL 	THIS DOCUMENT CONTAINS PROPRIETARY INFORMATION WHICH IS THE CONFIDENTIAL PROPERTY OF AMPHENOL PCD, BEVERLY, MA			CODE: 58982	SCALE: 3:1	SHEET 1 OF 1		

TJE120954

TJE120954