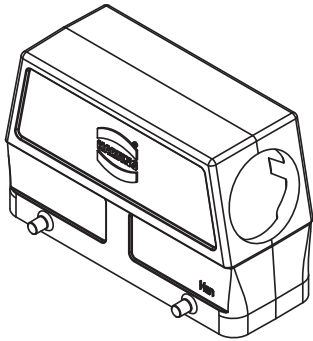
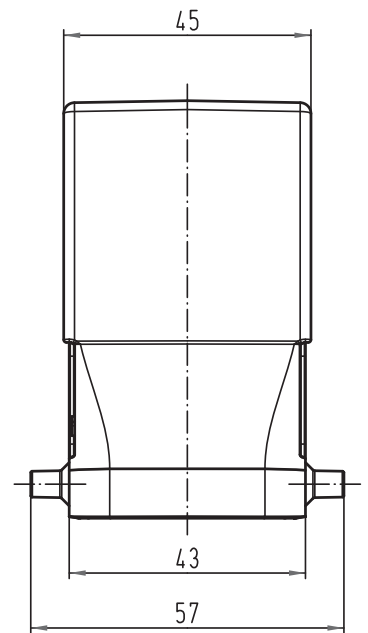
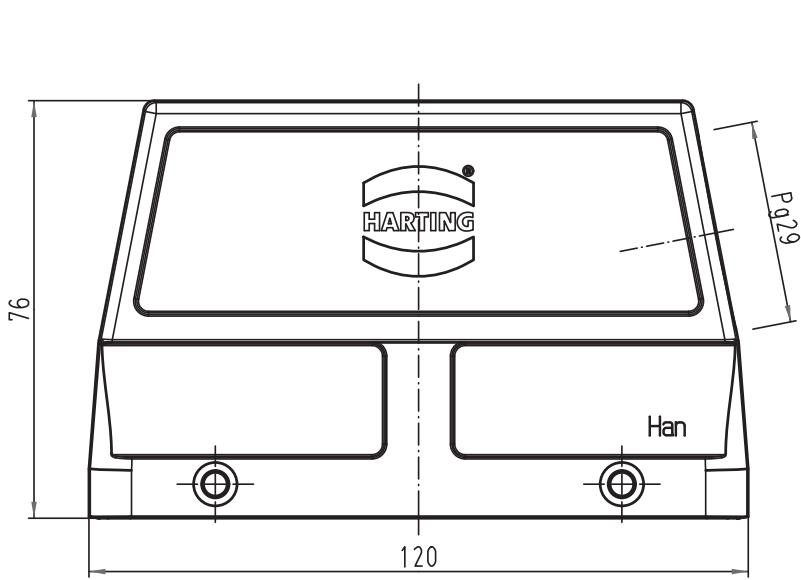


Alle Rechte vorbehalten/ All rights reserved



| | | | | | | | | |
|---|----------|------|--------------------------------|---------|---------------|--|--|--|
| All Dimensions in mm Original Size DIN A 4 | | | Techn. Character. | | | Nicht tolerierte Masse/ Free size tolerances | | |
| | | | | Dat. | Name | Massestab/Scale | | |
| | | | | Detail. | 23.08.00 ROH. | 1:1 | | |
| | | | | Insp. | KR | | | |
| | | | | Stand. | | | | |
| 412865 | 20.04.07 | Bor | HARTING Electric GmbH & Co. KG | | | TB 09 30 024 0510 | | |
| 28258 | | | D-32339 Espelkamp | | | | | |
| Mod. | Dat. | Name | | | | Sub. TB 09 30 0.. 051. v. 12.06.95 | | |
| | | | | | | Blatt/ page | | |