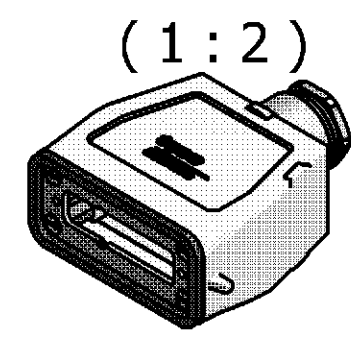


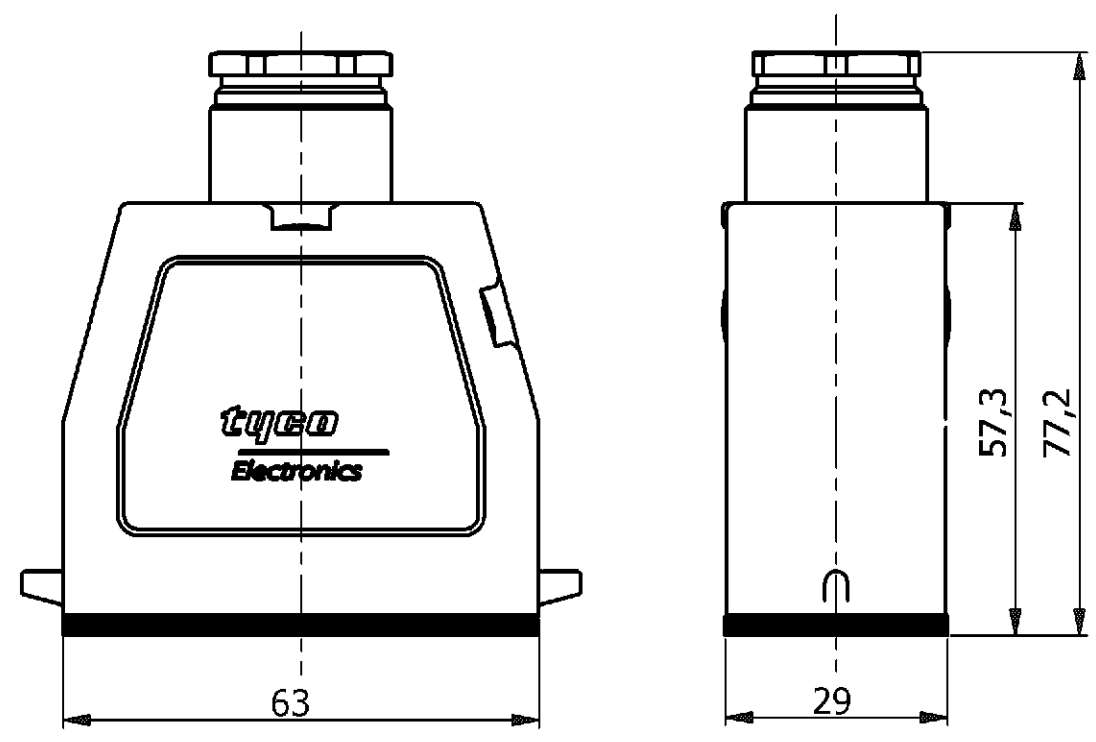
PN:0-1 as shown

NOTES,

- 1 PACKAGING QUANTITY: 5 PIECES PER BOX
- 2 MATERIAL: HOUSING: ALUMINIUM DIECASTING ALLOY
SEALS : NEOPRENE
- 3 SURFACE: VARNISH GREY
- 4 VARNISH ON THE INSIDE NOT NECESSARY



PN:0-1
Ordering Text:
HA.10.SM-STO.1.16 AM1x25



QTY	DESCRIPTION	MATERIAL	SURFACE	COLOR	ITEM NO.	REMARKS
4	Screw	Brass	Nickel Plated	Blue	6	M3x8
4	Bolt	Steel	Zinc Plated	Blue	5	-
1	Mounting Plate	Steel	Zinc Plated	Blue	4	AM1x25
1	Cable Fitting Round	Brass	Nickel Plated	Blue	3	Pg16
1	Profile Seal	Neoprene	-	Black	2	-
1	Hood HA	Aluminium	-	Grey	1	-
0-1	DESCRIPTION	MATERIAL	SURFACE	COLOR	ITEM NO.	REMARKS

PART LIST

THIS DRAWING IS A CONTROLLED DOCUMENT FOR AMP INCORPORATED. IT IS SUBJECT TO CHANGE AND THE CONTROLLING ENGINEERING ORGANIZATION SHOULD BE CONTACTED FOR THE LATEST REVISION. DIESSES ZEICHNUNGSDOKUMENT WIRD DURCH AMP INCORPORATED KONTROLLIERT. ÄNDERUNGEN, DIE DEM TECHNISCHEN FORTSCHRITT DIENEN, SIND VORBEHALTEN. DEN JEWELIS LETZTIGELTIGEN ÄNDERUNGSSTAND ERFAHREN SIE AUF ANFRAGE.	DWN: R.SRINIVAS 3/2/2006	tyco Electronics		Tyco / Electronics AMP GmbH D - 53819 Neunkirchen, Germany	
DIMENSIONS: DIMENSIONEN: mm	CHK: R.SRINIVAS 3/3/2006	HOOD HA.10.SM-STO.1.16 AM 1X25			
TOLERANCES UNLESS OTHERWISE SPECIFIED: ALLGEMEINTOLERANZEN n. ISO 8015 - # n. ISO 2768 - mH-E # n. DIN 16901- 140 #	APVD: T.SCHNURPFEIL 3/3/2006				
0 PLC # 1 PLC # 2 PLC # 3 PLC # ANGLES / WINKEL #	NAME: T.SCHNURPFEIL	HA.10.SM-STO.1.16 AM 1X25			
MATERIAL: 2	FINISH / OBERFLAECH / FARBE: 3				
WEIGHT: 2	GEWICHT: ---	SIZE: A3	CAGE CODE: 00779	DRAWING NO: 1102199	RESTRICTED TO NUR FUER
CUSTOMER DRAWING / KUNDENZEICHNUNG		SCALE: 1:1	SHEET: 1	OF: 1	REV: B1