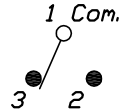


RECOMMENDED P.C.B. LAYOUT  
NOT TO SCALE



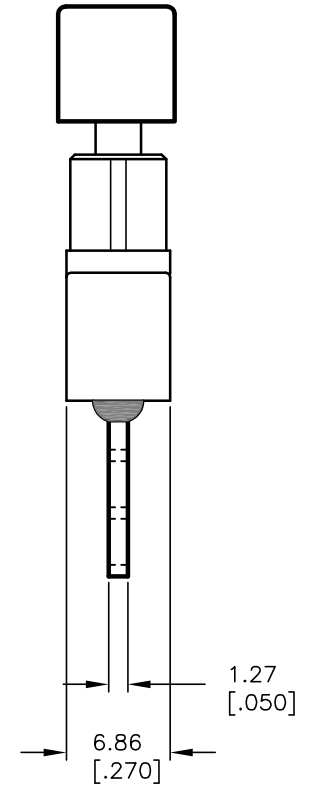
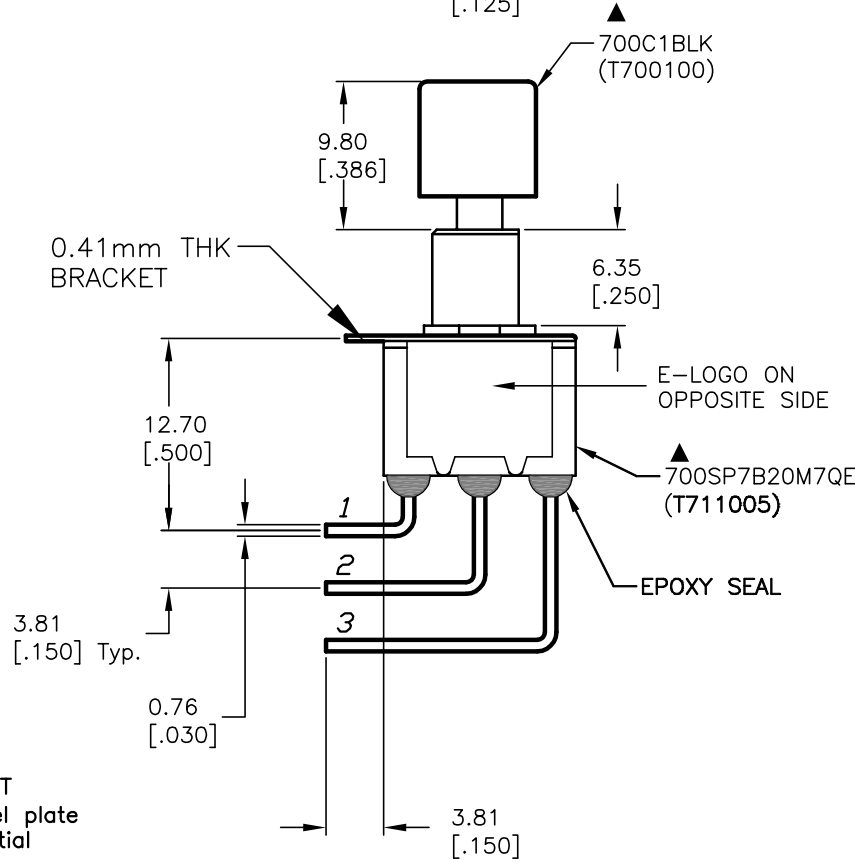
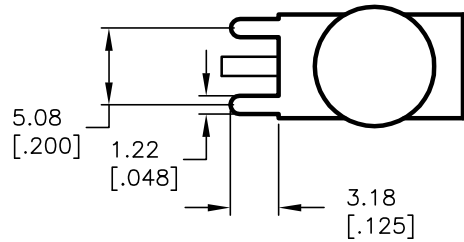
CIRCUIT: SPDT

SWITCH FUNCTION	
DN	<DN>
1-3	1-2

< > =MOMENTARY

NOTES:

1. ALL DIMENSIONS IN MM [INCH]
2. GENERAL TOLERANCE: X.X=±0.4  
X.XX=±0.25
3. TERM. NOS. FOR REF. ONLY
4. RATING: 1A @250VAC;  
3A @120VAC
- ▲ 5. MATERIAL: FIXED TERMINAL & MOVING CONTACT  
Copper Alloy w/Silver plate over Nickel plate
6. CONTACT RESISTANCE: 10mILLI Ohms max initial  
@2-4VDC, 100mA for AG & AU
7. ELECTRICAL LIFE: 50,000 make-and-break  
cycles at full load.
8. INSULATION RESISTANCE: 1,000M ohm min.
9. DIELECTRIC STRENGTH: 1000V RMS @sea level
10. OPERATING TEMP.: -30°C to 85°C



**E-SWITCH®**

TITLE

700SP7B20M7QEC1BLK

A	13861	RELEASED FOR PRODUCTION	3/24/04	AR
REV.	ECN No.	DESCRIPTION	DATE	CHKD

THE INFORMATION CONTAINED IN THIS DOCUMENT  
IS PROPRIETARY TO E-SWITCH AND IS  
NOT TO BE COPIED OR TRANSFERRED

SCALE

2:1

DATE

3/24/04

DR

AR

DWG

XT0124P

REV

A