

Single relay - SIM-ERSN - 2271484

Please be informed that the data shown in this PDF Document is generated from our Online Catalog. Please find the complete data in the user's documentation. Our General Terms of Use for Downloads are valid (<http://phoenixcontact.com/download>)



Plug-in socket, for pluggable miniature switching relays, miniature relays or miniature optocouplers, for soldering onto the PCB.



Key commercial data

| | |
|--------------------------------------|----------|
| Packing unit | 1 pc |
| Weight per Piece (excluding packing) | 4.24 GRM |
| Custom tariff number | 85389099 |
| Country of origin | Germany |

Technical data

Dimensions

| | |
|---------------|--------|
| Hole diameter | 1.3 mm |
| Pitch | 5 mm |

General

| | |
|-----------------------|-----------------------------------|
| Nominal voltage U_N | 250 V |
| Nominal current I_N | 10 A (1-pos.) 2x 10 A (2-pos.) |
| Test voltage | 5 kV AC |
| Color | black |

Classifications

eCl@ss

| | |
|------------|----------|
| eCl@ss 4.0 | 27371190 |
| eCl@ss 4.1 | 27371190 |
| eCl@ss 5.0 | 27371692 |

Single relay - SIM-ERSN - 2271484

Classifications

eCl@ss

| | |
|------------|----------|
| eCl@ss 5.1 | 27371692 |
| eCl@ss 6.0 | 27371001 |
| eCl@ss 7.0 | 27371001 |
| eCl@ss 8.0 | 27371001 |

ETIM

| | |
|----------|----------|
| ETIM 2.0 | EC000196 |
| ETIM 3.0 | EC000196 |
| ETIM 4.0 | EC000196 |
| ETIM 5.0 | EC002043 |

UNSPSC

| | |
|---------------|----------|
| UNSPSC 6.01 | 30211916 |
| UNSPSC 7.0901 | 39121515 |
| UNSPSC 11 | 39121515 |
| UNSPSC 12.01 | 39121515 |
| UNSPSC 13.2 | 39121515 |

Approvals

Approvals

Approvals

GOST

Ex Approvals

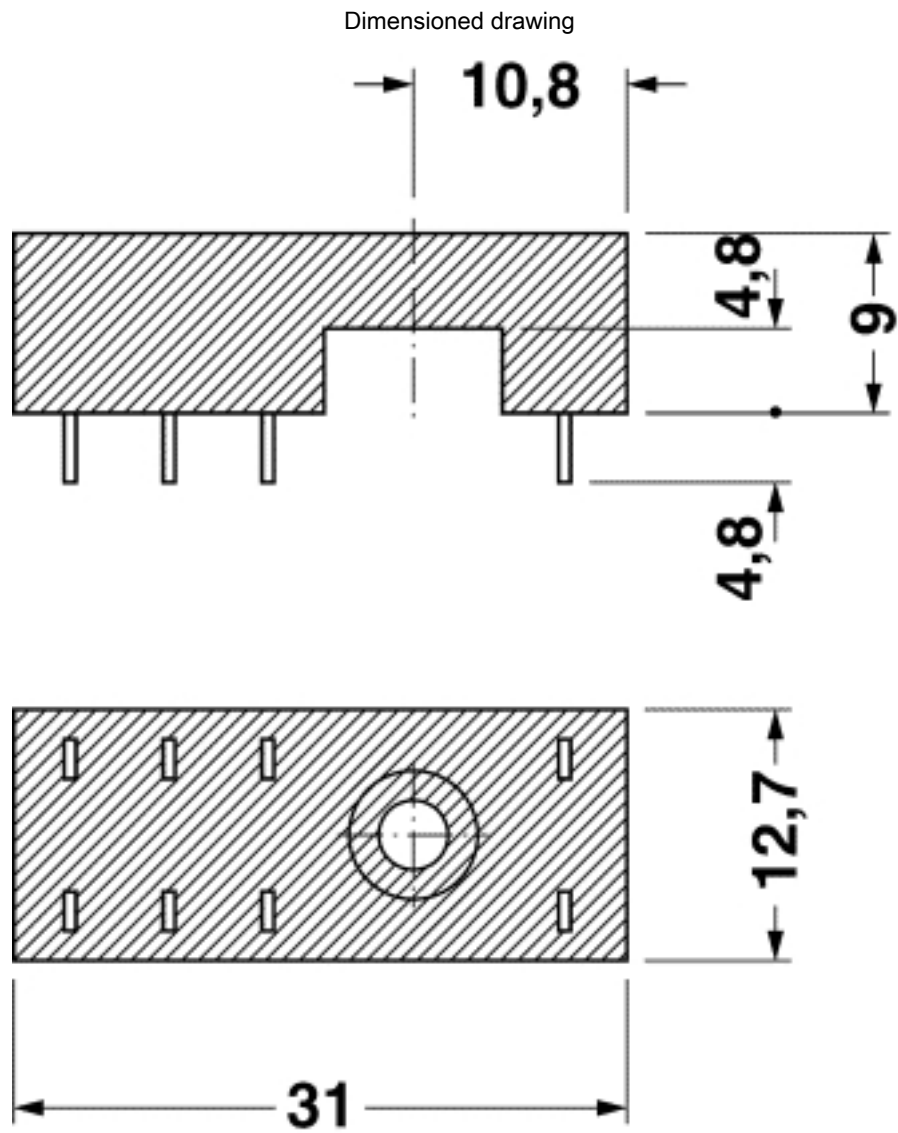
Approvals submitted

Approval details

| |
|--|
| GOST  |
|--|

Drawings

Single relay - SIM-ERSN - 2271484



Single relay - SIM-ERSN - 2271484

Drilling diagram

