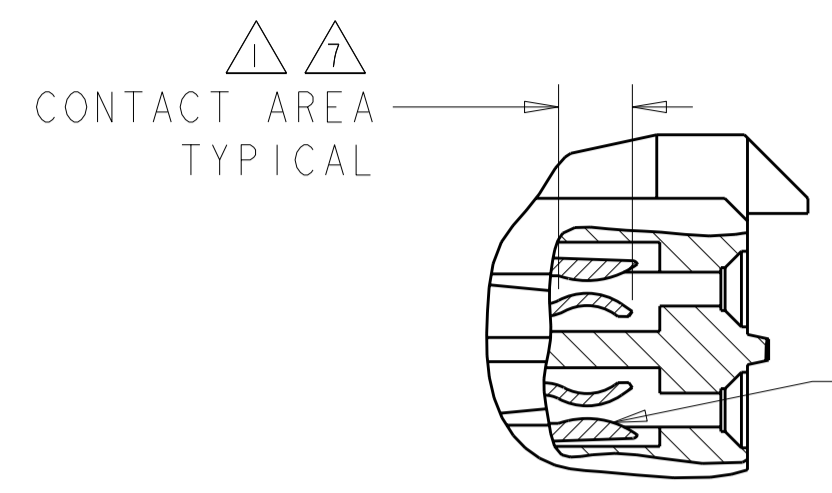


THIS DRAWING IS UNPUBLISHED. RELEASED FOR PUBLICATION 20
 © COPYRIGHT 20 ALL RIGHTS RESERVED.

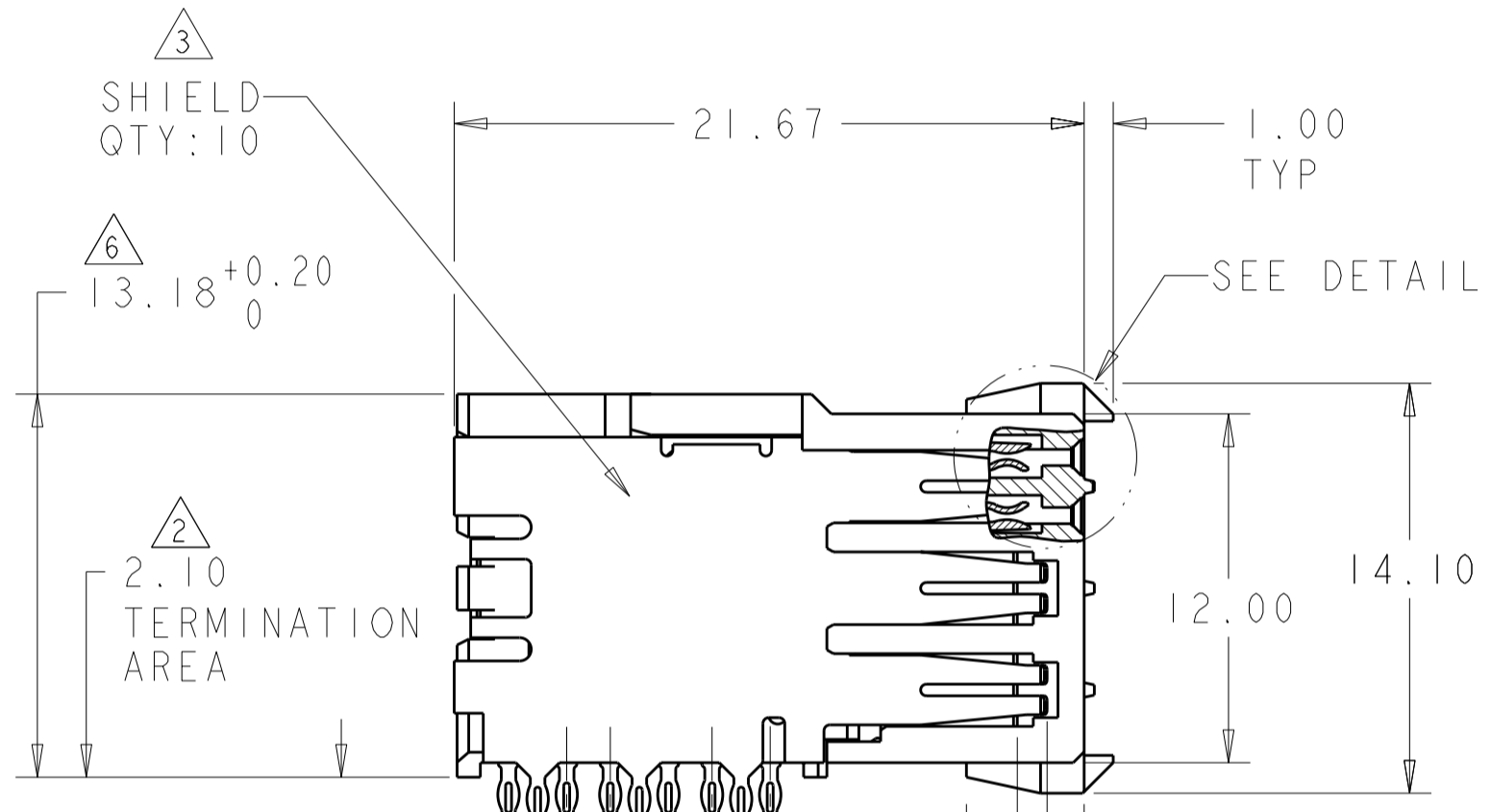
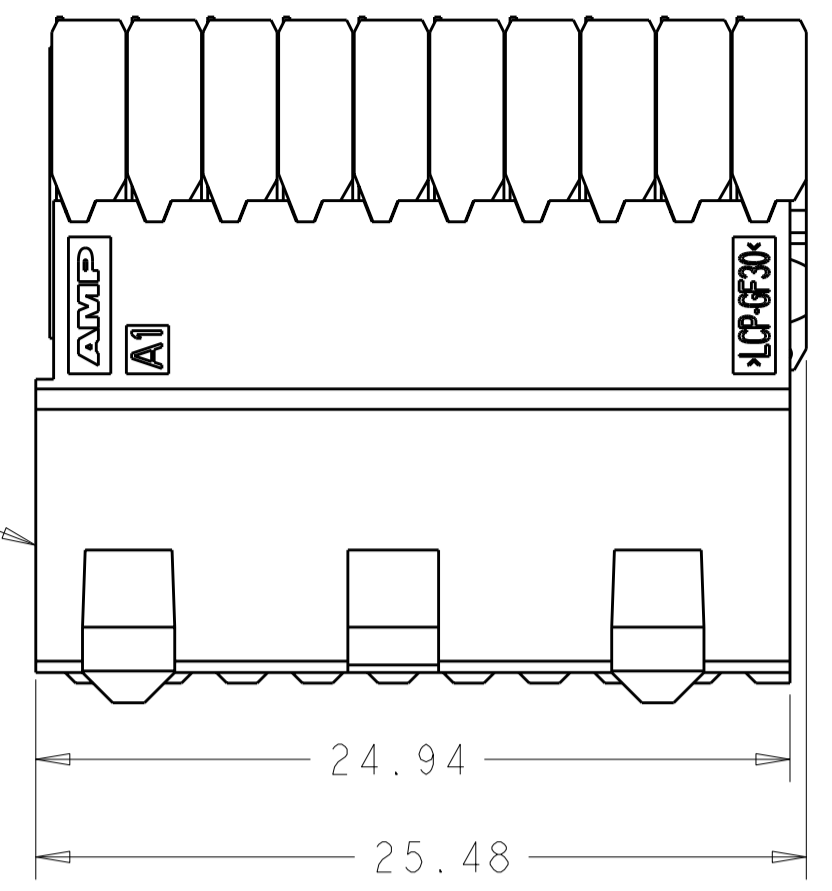
LOC		DIST		REVISIONS				
P	LTR	DESCRIPTION	DATE	DWN	APVD			
	A	REVISED EPR ECO-11-013132	13JUL2011	HMR	MH			



DETAIL M
SCALE 8:1

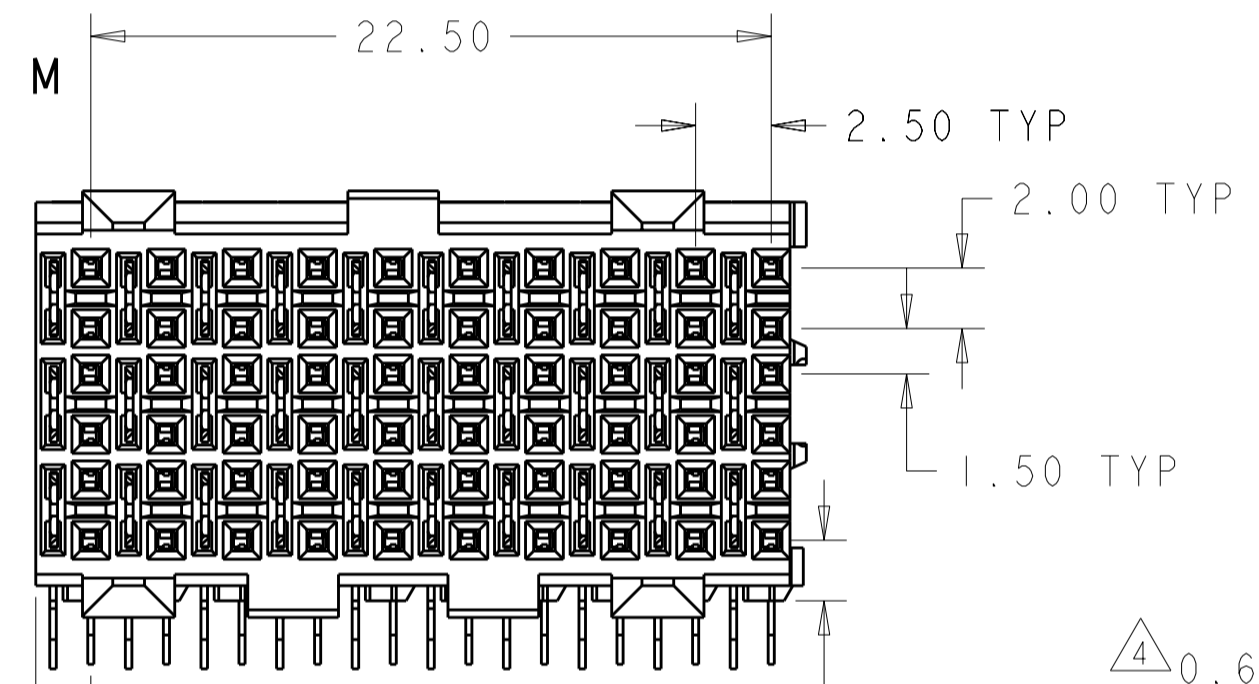
CONTACT QTY: 60

HOUSING QTY: 1



2.25 TERMINATION AREA

CONTACT AREA TYPICAL



2.00 DISTANCE FROM ROW "a" TO BOARD SURFACE

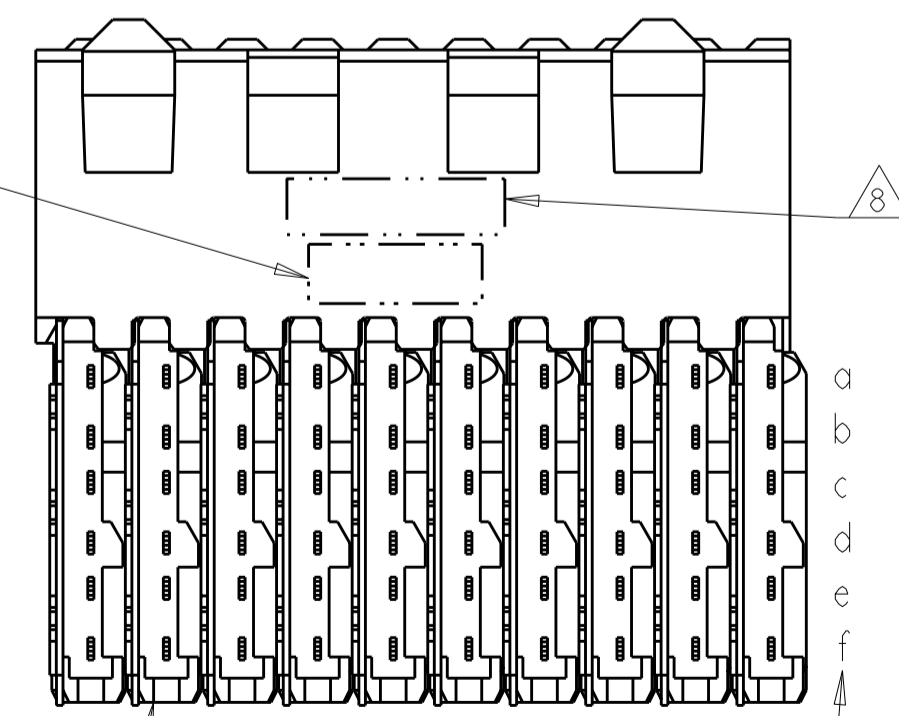
1.50 TYP

1.00 TYP

4.05 TYP

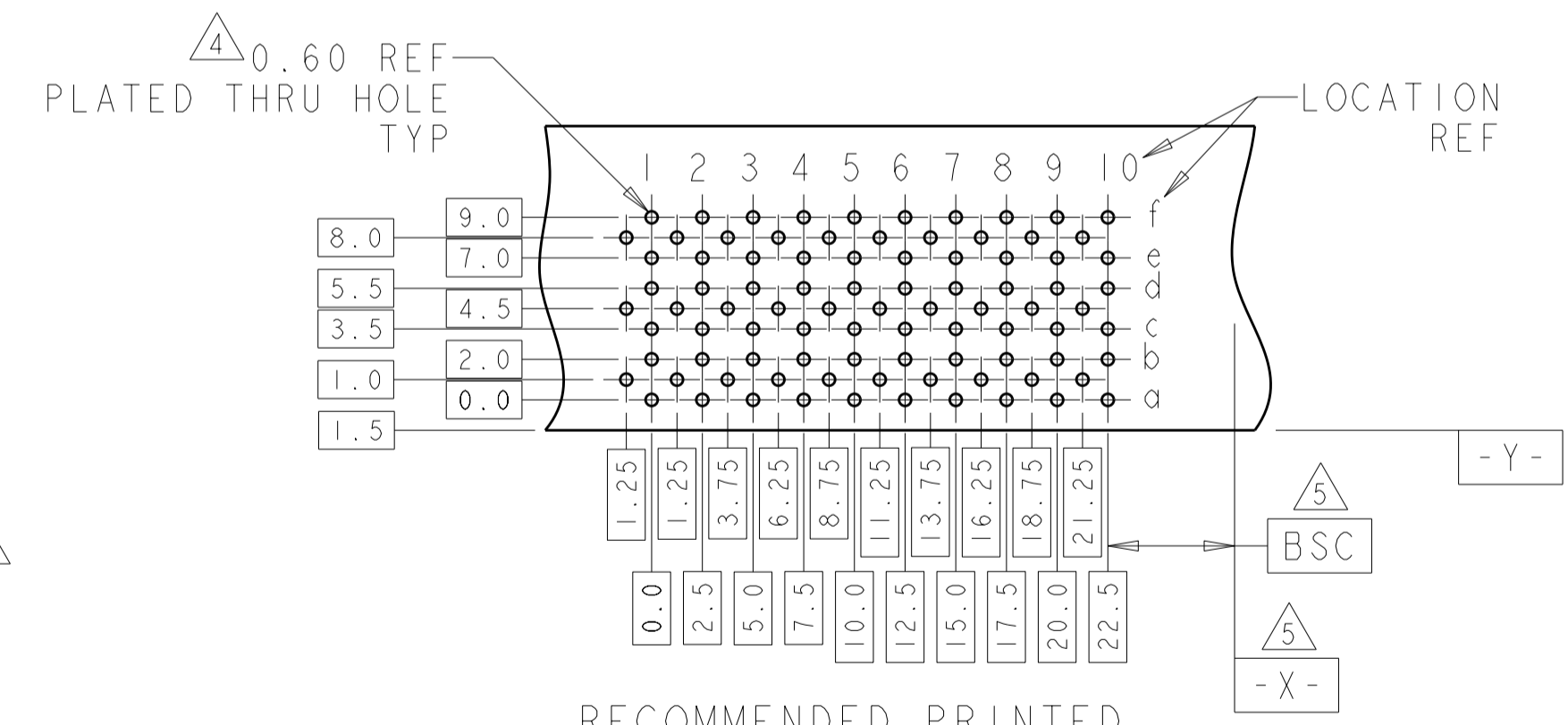
2.00 TYP

10.80 TYP



CHICKLET QTY: 10

LOCATION REF



RECOMMENDED PRINTED CIRCUIT BOARD LAYOUT
 COMPONENT SIDE OF PRINTED CIRCUIT BOARD
 SCALE 3:1

5120786-1
PART NUMBER

THIS DRAWING IS A CONTROLLED DOCUMENT.		DWN B. CARBO 07DEC04	TE Connectivity	
DIMENSIONS: mm		CHK R. PATTERSON 07DEC04		
TOLERANCES UNLESS OTHERWISE SPECIFIED:		APVD R. PATTERSON 07DEC04	NAME RECEPTACLE ASSEMBLY, 60 POSITION, 6 ROW, DUAL BEAM, Z-PACK HS3	
0 PLC ±		PRODUCT SPEC 108-1957	SIZE CAGE CODE DRAWING NO RESTRICTED TO	
1 PLC ±		APPLICATION SPEC 114-13020	A200779C-5120786	
2 PLC ±0.13		WEIGHT -	SCALE 3:1 SHEET 1 OF 1 REV A	
3 PLC ±0.050		CUSTOMER DRAWING		
4 PLC ±				
ANGLES ±				
FINISH				
SOLDER TAIL: 1				
SOLDER TAIL: 2				