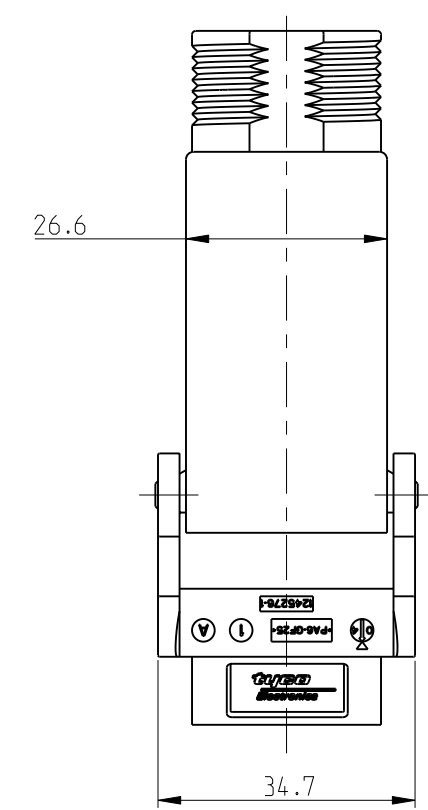
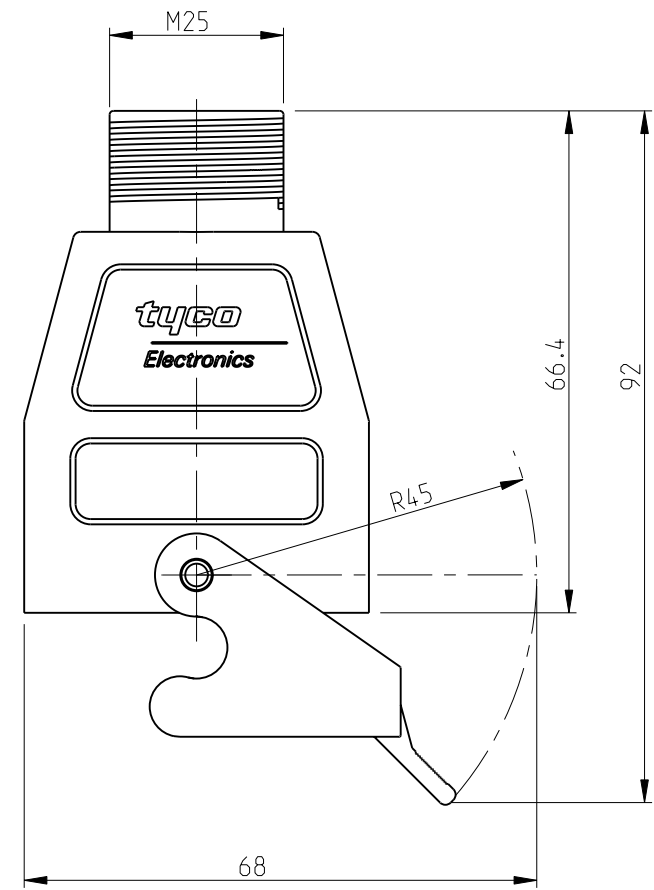
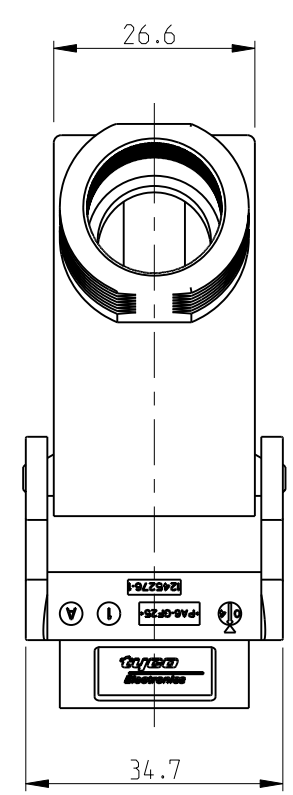
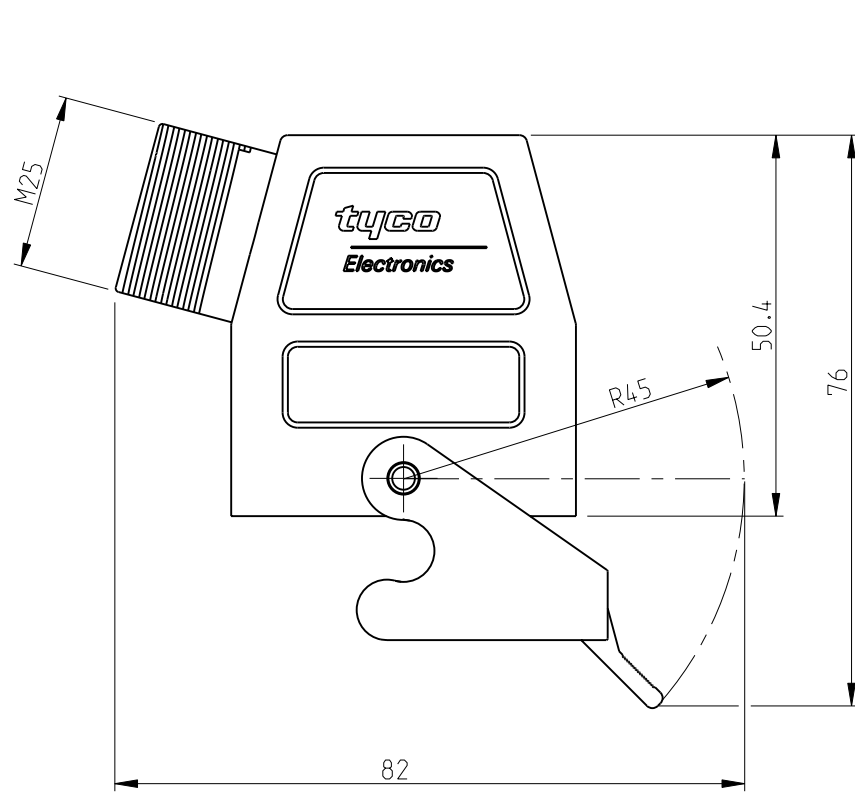


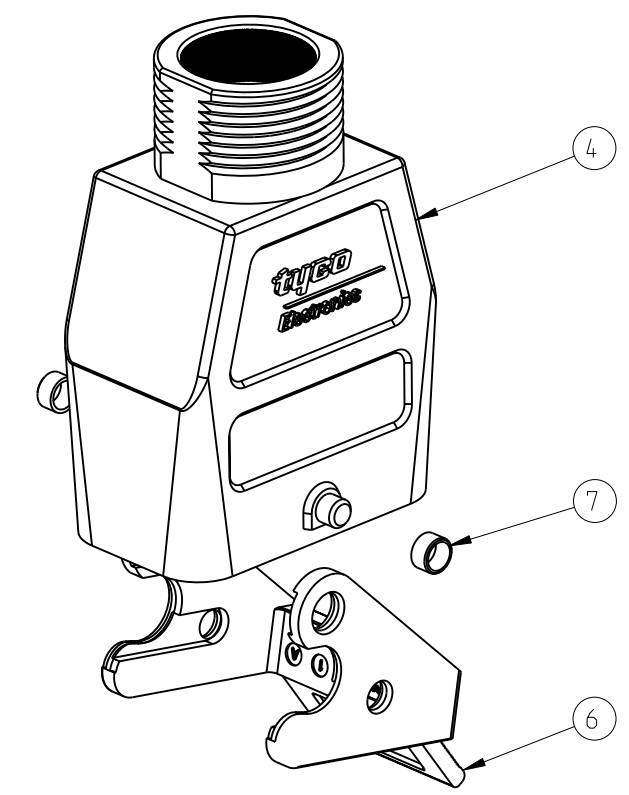
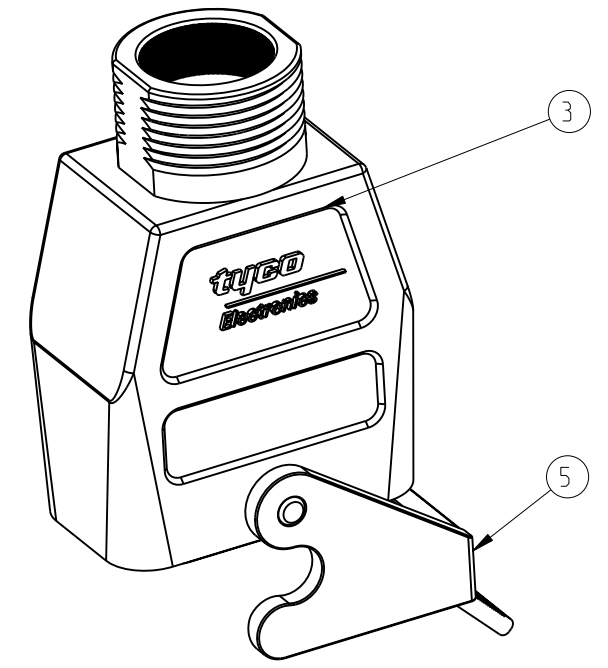
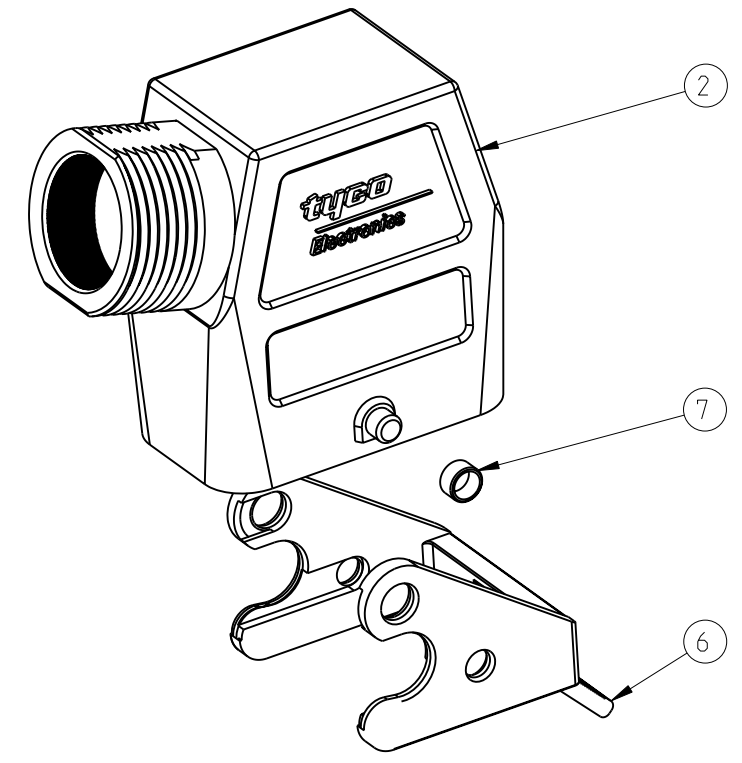
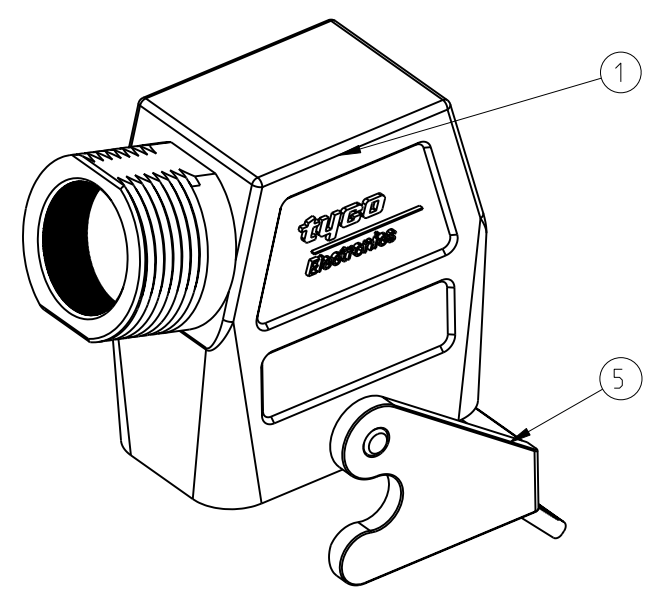
THIS DRAWING IS UNPUBLISHED. RELEASED FOR PUBLICATION
 © COPYRIGHT 2000 BY TYCO ELECTRONICS CORPORATION. ALL RIGHTS RESERVED.

LOC		DIST		REVISIONS			
P	LTR	DESCRIPTION		DATE	DWN	APVD	
	B2	RELEASED AS PER ECR-07-013664		08.Jun.07	NSJ	ST	
	B3	REVISED PER ECO-09-027197		16DEC09	KK	AEG	



NOTES

- 1 PACKAGING:
10 PIECES IN A CARTON
- 3 OBSOLETE PARTS: OBSOLETE CIS STREAMLINING PER D.RENAUD/D.SINISI



QTY		DESCRIPTION		MATERIAL	COLOR	NOTE	ITEM NO.
2	-	BUSH	BRASS	-	-		7
1	-	SIDE CLIP REINFORCED	-	-	-		6
-	1	SIDE CLIP	PA. 6.6-GF25	BLACK			5
1		COUPLING HOUSING	PA. 6.6-GF25	SILVER	EMV-SHIELDING		2
1	1	COUPLING HOUSING	PA. 6.6-GF25	BLACK			1
HG-Q-KDS.G							
HG-EMV-Q-KDS.G							

QTY		DESCRIPTION		MATERIAL	COLOR	NOTE	ITEM NO.
2	-	BUSH	BRASS	-	-		7
1	-	SIDE CLIP REINFORCED	-	-	-		6
-	1	SIDE CLIP	PA. 6.6-GF25	BLACK			5
1		COUPLING HOUSING	PA. 6.6-GF25	SILVER	EMV-SHIELDING		4
1	1	COUPLING HOUSING	PA. 6.6-GF25	BLACK			3
HG-Q-KDO.G							
HG-EMV-Q-KDO.G							

THIS DRAWING IS A CONTROLLED DOCUMENT FOR TYCO ELECTRONICS CORPORATION IT IS SUBJECT TO CHANGE AND THE CONTROLLING ENGINEERING ORGANIZATION SHOULD BE CONTACTED FOR THE LATEST REVISION.		DWN G.Wroblewski 03.08.05 CHK H.Braun 02.08.05 APVD T.Schnurfeil 02.08.05	Tyco Electronics Corporation D - 53819, Neunkirchen, Germany
DIMENSIONS: mm 		TOLERANCES UNLESS OTHERWISE SPECIFIED: h11/d10 B015 h11/d10 B015 h11/d10 B015	NAME COUPLING HOUSING ASSY HG-Q.KDO/KDS.G
MATERIAL 		APPLICATION SPEC WEIGHT	SIZE A2 CAGE CODE 00779 DRAWING NO C=1108795
CUSTOMER DRAWING		SCALE 1:1	SHEET 1 OF 1 REV B3