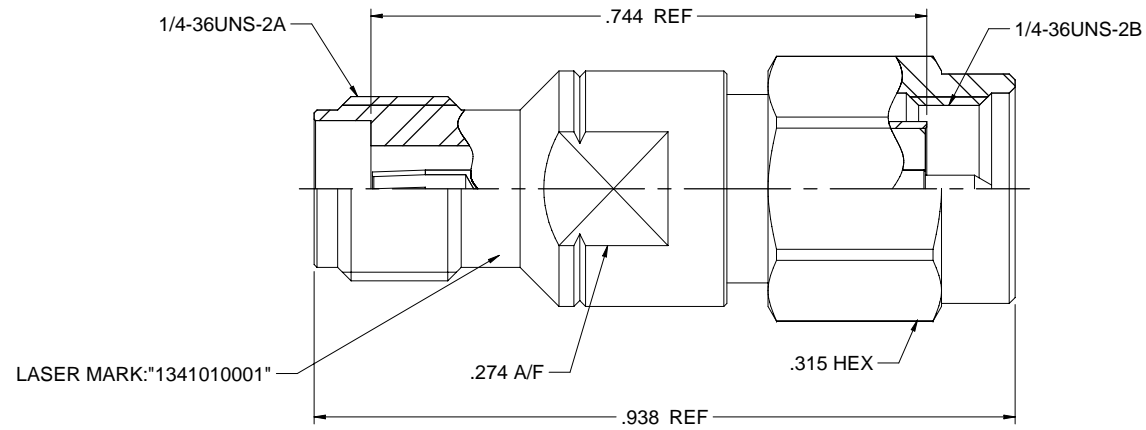


MODEL NO.	PACKAGING
134-1010-001	ONE PCS PER BAG

REV	ECO	DATE
001	ECO-17-0002	11/28/2017



NOTES: UNLESS OTHERWISE SPECIFIED

1. MATERIAL & FINISH:

- 1.1 BODY & SHELL: PASSIVATED STAINLESS STEEL
- 1.2 CONTACT PIN : GOLD PLATED BERYLLIUM COPPER
- 1.3 INSULATOR: PTFE WHITE
- 1.4 C RING: BERYLLIUM COPPER
- 1.5 GASKET: SILICONE RED

2. ELECTRICAL:

- 2.1 IMPEDANCE: 50 OHMS
- 2.2 FREQUENCY RANGE: 0-26.5 GHz
- 2.3 VOLTAGE STANDING WAVE RATIO: 1.3 MAX
- 2.4 DIELECTRIC WITHSTANDING VOLTAGE: 750 VRMS MIN
- 2.5 CONTACT RESISTANCE:
  - 2.5.1 CENER CONTACT: 3 MILLIOHM MAX
  - 2.5.2 OUTER CONTACT: 2 MILLIOHM MAX
- 2.6 INSULATOR RESISTANCE: 5000 MEGOHM MIN

3. MECHANICAL:

- 3.1 ENGAGEMENT / DISENGAGEMENT FORCE: 2 IN-LBS MAX
- 3.2 COUPLING NUT RETENTION: 60 LBS MIN
- 3.3 COUPLING PROOF TORQUE: 15 IN-LBS MIN
- 3.4 CONTACT RETENTION: 6 LBS. MIN
- 3.5 DURABILITY: 500 CYCLES MIN.

4. ENVIRONMENT:

- 4.1 THERMAL SHOCK: MIL-STD-202, METHOD 107, CONDITION B.
- 4.2 OPERATING TEMPERATURE: -55TO 125°C
- 4.3 SALT SPRAY: MIL-STD-202, METHOD 101, CONDITION B
- 4.4 SHOCK: MIL-STD-202, METHOD 213, CONDITION I
- 4.5 VIBRATION: MIL-STD-202, METHOD 204, CONDITION D
- 4.6 MOISTURE RESISTANCE: MIL-STD-202, METHOD 106

	Model No. 134-1010-001	
	RoHS2 2011/65/EU	Title: ADAPTER ASSEMBLY, SMA(2.92mm) JACK TO SMA PLUG
RoHS2 2011/65/EU	Drawing No. 134-1010-001	Rev. 001
XXXX + 02 XXXX + 01 ANGLES: 45°	Date: 10/10/2017	Scale: C DO NOT SCALE DRAWINGS
DRAWN BY: Betty Yu	NONE	Sheet 1 of 1