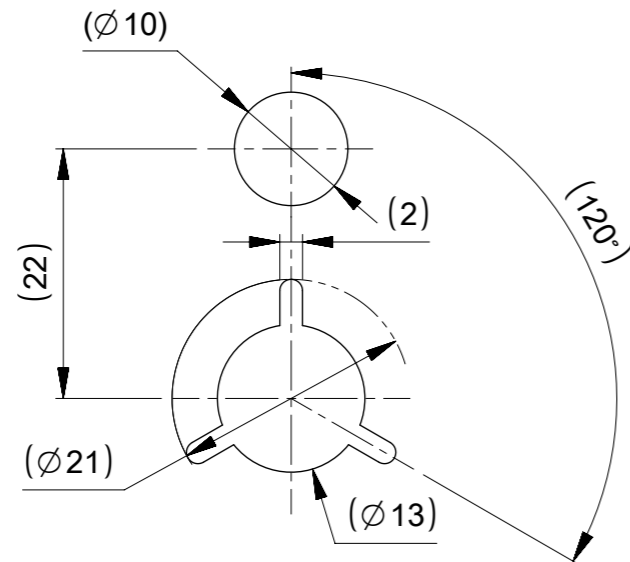
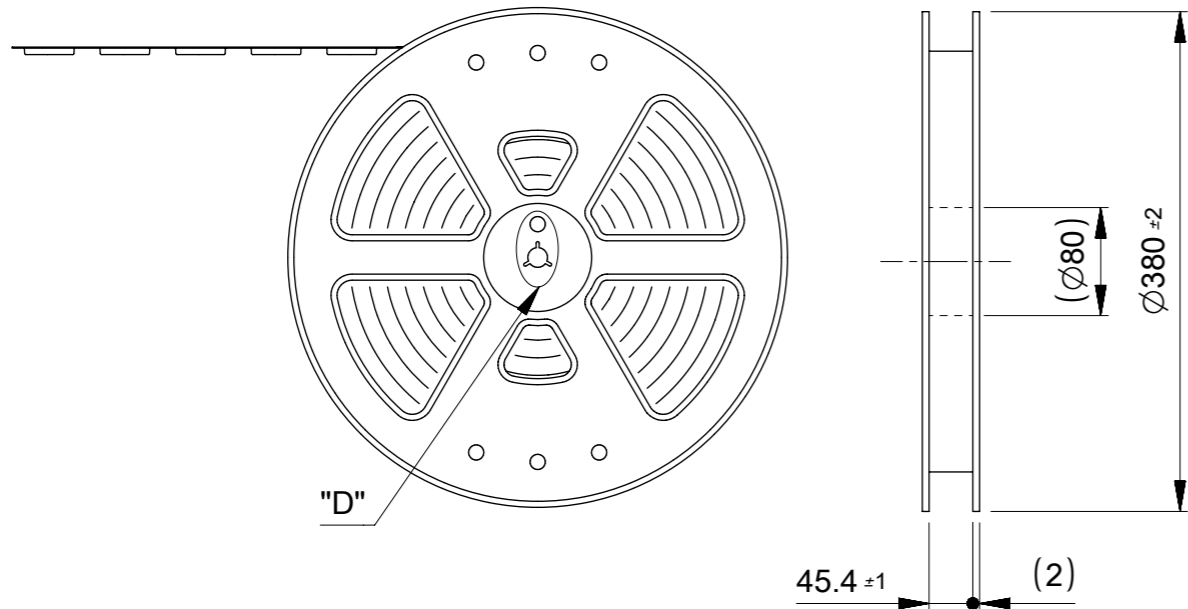


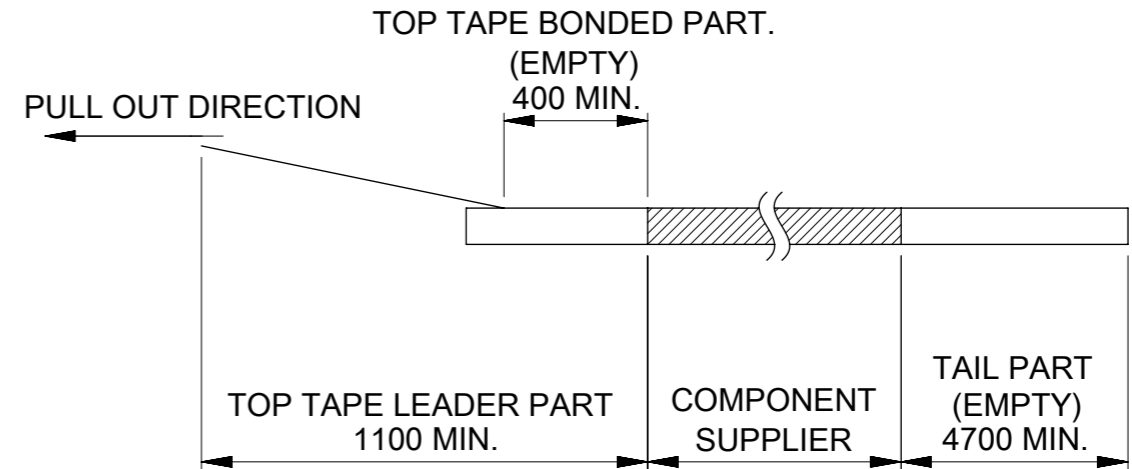
PULL OUT DIRECTION



DETAIL "D"

NOTES

1. NUMBER OF CONNECTORS :1000 PCS/REEL
2. LEAD TAPE LENGTH.



3. MATERIAL

CARRIER TAPE: POLYSTYRENE

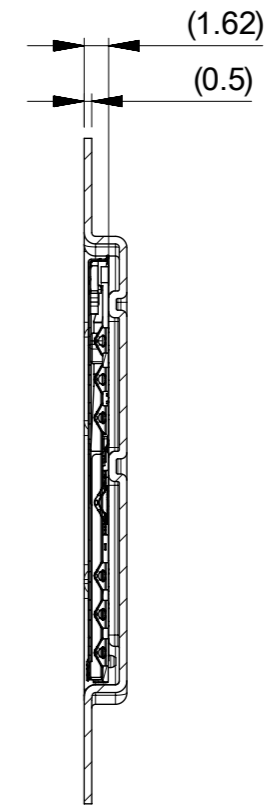
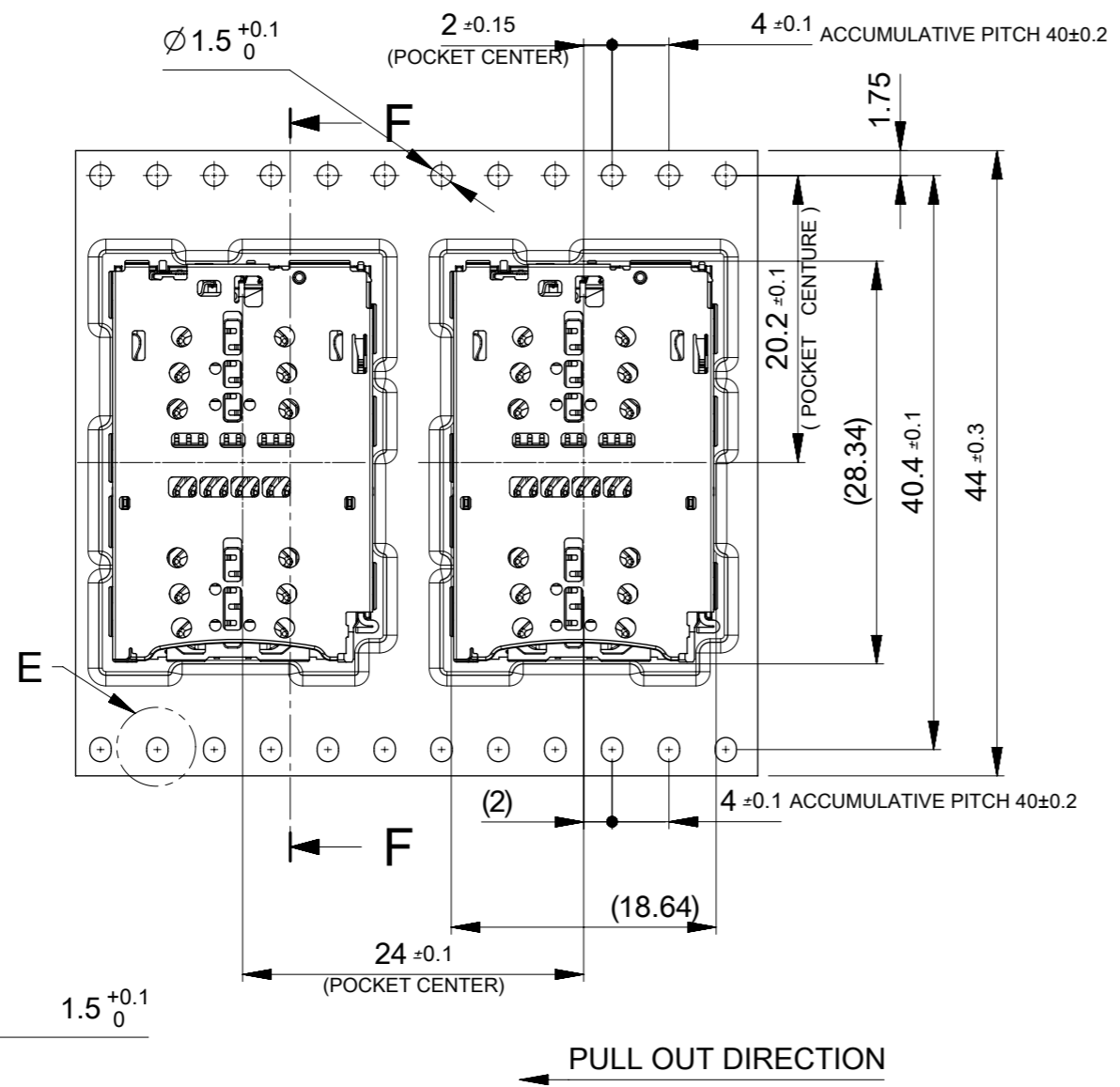
TOP TAPE: PET, PE, OTHER

REEL: POLYSTYRENE(PS)<RECYCLE MATERIAL CONTAINED>

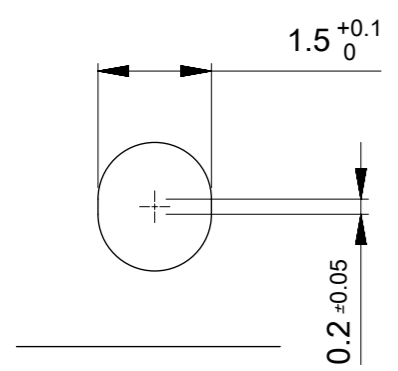
5056032092	6+6+8
EMBOSSED PACKAGE	極数
オーダー番号 ORDER NO	CIRCUITS
CONNECTOR SERIES No.5056032021	

THIS DRAWING CONTAINS INFORMATION THAT IS PROPRIETARY TO MOLEX ELECTRONIC TECHNOLOGIES, LLC AND SHOULD NOT BE USED WITHOUT WRITTEN PERMISSION

EC NO: 107253 DRWN: STANAKA02 CHK'D: SMARUYAMA APPR: TKUSUHARA01	2016/07/05 2016/09/06 2016/09/06	GENERAL TOLERANCES (UNLESS SPECIFIED) ANGULAR TOL ± 1.0 ° 4 PLACES ± 0.3 3 PLACES ± 0.3 2 PLACES ± 0.3 1 PLACE ± 0.3 0 PLACES ± 0.3	DIMENSION UNITS: MM SCALE: 5:1 DRWN BY: STANAKA02 DATE: 2016/07/05 CHK'D BY: SMARUYAMA DATE: 2016/09/06 APPR BY: TKUSUHARA01 DATE: 2016/09/06		
	DRAFT WHERE APPLICABLE MUST REMAIN WITHIN DIMENSIONS		DRAWING SIZE: A3 THIRD ANGLE PROJECTION		3IN2 BAR-PUSH H=1.35 FULL ANTICRUSH TYPE ASSY (DUAL NSIM / NSIM+MSD)
	PRODUCT CUSTOMER DRAWING				SERIES: 505603 MATERIAL NUMBER: SEE TABLE IN SHEET 1 CUSTOMER: GENERAL
	DOCUMENT NUMBER: 5056030000				DOC TYPE: PSD DOC PART: 000 SHEET NUMBER: 1 OF 2



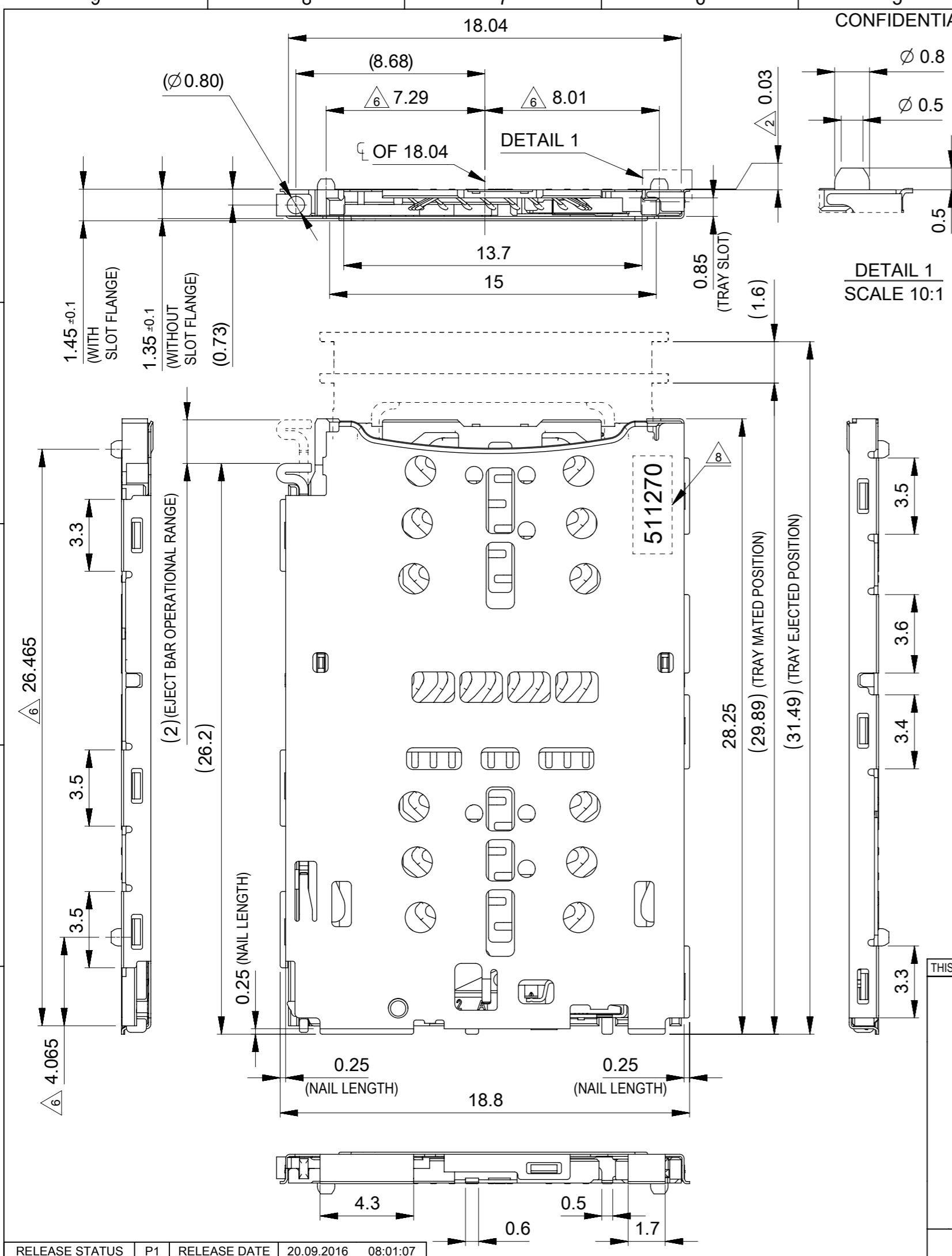
SECTION F-F



DETAIL E
SCALE 10:1

THIS DRAWING CONTAINS INFORMATION THAT IS PROPRIETARY TO MOLEX ELECTRONIC TECHNOLOGIES, LLC AND SHOULD NOT BE USED WITHOUT WRITTEN PERMISSION

EC NO: 107253 DRWN: STANAKA02 CHK'D: SMARUYAMA APPR: TKUSUHARA01	2016/07/05	2016/09/06	GENERAL TOLERANCES (UNLESS SPECIFIED) ANGULAR TOL ± 1.0 ° 4 PLACES ± 0.3 3 PLACES ± 0.3 2 PLACES ± 0.3 1 PLACE ± 0.3 0 PLACES ± 0.3 DRAFT WHERE APPLICABLE MUST REMAIN WITHIN DIMENSIONS	DIMENSION UNITS	SCALE		
	2016/09/06	2016/09/06		MM	2:1		
	STANAKA02	2016/07/05		DRWN BY	DATE		3IN2 BAR-PUSH H=1.35 FULL ANTICRUSH TYPE ASSY (DUAL NSIM / NSIM+MSD)
	SMARUYAMA	2016/09/06		CHK'D BY	DATE		
	TKUSUHARA01	2016/09/06		APPR BY	DATE		PRODUCT CUSTOMER DRAWING
A	REV	A3	THIRD ANGLE PROJECTION	SERIES	MATERIAL NUMBER	CUSTOMER	
				505603	SEE TABLE IN SHEET 1	GENERAL	
				DOCUMENT NUMBER	DOC TYPE	DOC PART	SHEET NUMBER
				5056030000	PSD	000	2 OF 2



No.	NAME	MATERIAL	FINISH
①	HOUSING	LIQUID CRYSTAL POLYMER UL94V-0, BLACK	N/A
②	microSD TERMINAL	COPPER ALLOY	CONTACT AREA MINIMUM 0.3 MICROMETER GOLD PLATING TAIL AREA : MINIMUM 0.05 MICROMETER GOLD PLATING UNDERPLATING : NICKEL OVERALL
③	nanoSIM TERMINAL & SWITCH	COPPER ALLOY	CONTACT AREA MINIMUM 0.3 MICROMETER GOLD PLATING TAIL AREA : MINIMUM 0.05 MICROMETER GOLD PLATING UNDERPLATING : NICKEL OVERALL
④	SHELL	STAINLESS STEEL	TAIL AREA : MINIMUM 0.05 MICROMETER GOLD PLATING UNDERPLATING : NICKEL OVERALL
⑤	EJECT LEVER	STAINLESS STEEL	N/A
⑥	EJECT BAR	STAINLESS STEEL	N/A
⑦	DETECT LEVER	COPPER ALLOY	CONTACT AREA MINIMUM 0.3 MICROMETER GOLD PLATING TAIL AREA : MINIMUM 0.05 MICROMETER GOLD PLATING UNDERPLATING : NICKEL OVERALL
⑧	HOOK	PRESS:STAINLESS STEEL MOLD:POLYAMIDE UL94V-0 BLACK	N/A

NOTES :

1. TERMINAL AND NAIL COPLANARITY TO BE 0.1 MAXIMUM. (FROM GAUGE PLATE)
2. STAND OFF DIMENSION (STAND OFF DIMENSION IS INCLUDED IN THE CONNECTOR TOTAL HEIGHT)
3. DETECT SWITCH FUNCTION
4. PATTERN KEEP OUT AREA DIMENSION
5. (DIMENSION) : REFERENCE VALUE (IT IS A NON-MANAGEMENT DIMENSION)
6. PLASTIC POST FOR SMT POSITION.
7. ELV & RoHS COMPLIANT.
8. LOT No. 5 11 27 0
9. 一般公差は以下を優先する。 GENERAL TOLERANCES OF THE HIGHEST PRIORITY.(UNLESS SPECIFIED)

NO TRAY	CLOSE
TRAY EJECTED POSITION	CLOSE
TRAY MATED POSITION	OPEN

0.25 UNDER	±0.05
0.25 OVER 0.5 UNDER	±0.08
0.5 OVER 1.0 UNDER	±0.10
1.0 OVER 10 UNDER	±0.15
10 OVER 30 UNDER	±0.25
30 OVER	±0.3
ANGULAR ±1°	

THE YEAR OF GRACE
 5 : 20*5
 6 : 20*6
 7 : 20*7

MONTH
 01 : JANUARY
 02 : FEBRUARY
 ...
 12 : DECEMBER

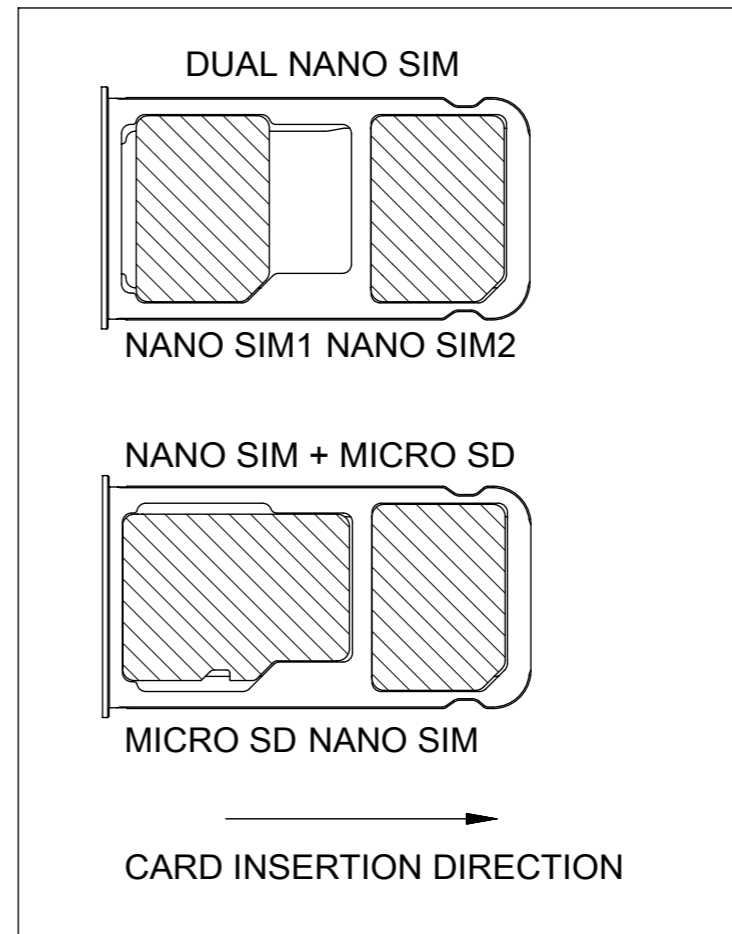
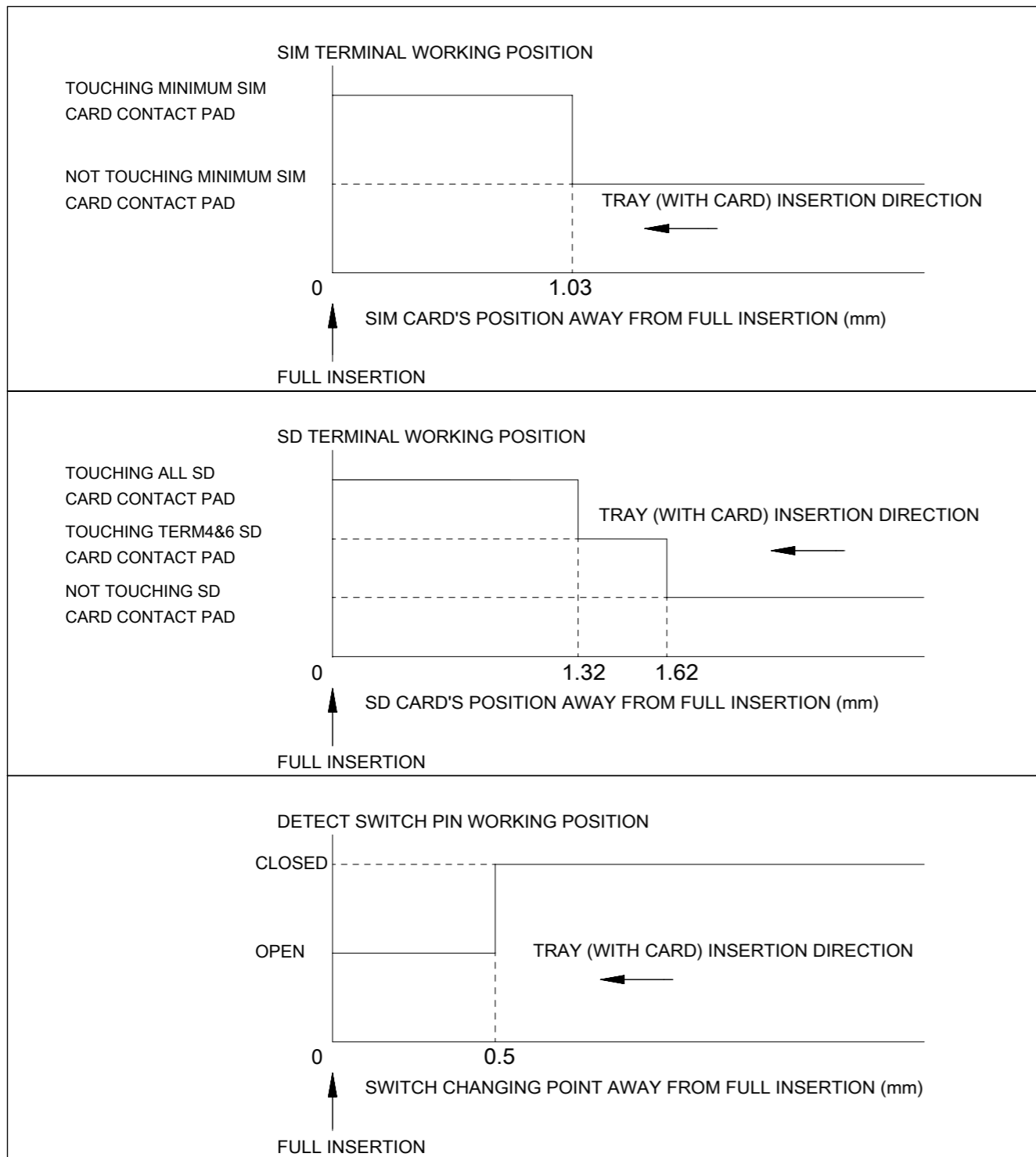
DAY 01-31
 LINE No.

5056032092	6+6+8
EMBOSSED PACKAGE	極数
オーダー番号 ORDER No.	CIRCUITS
CONNECTOR SERIES No.5056032021	

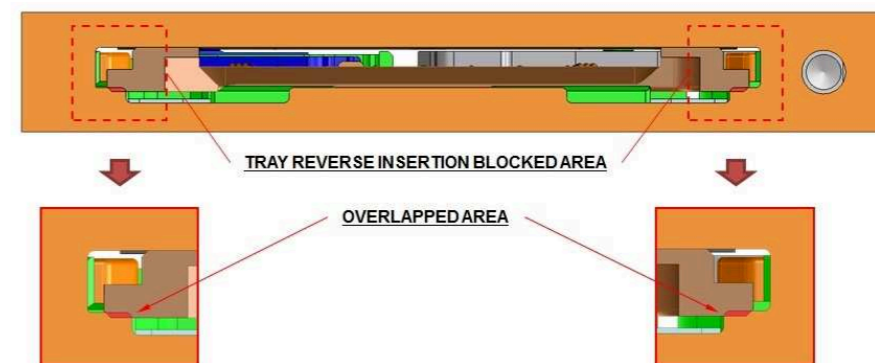
THIS DRAWING CONTAINS INFORMATION THAT IS PROPRIETARY TO MOLEX ELECTRONIC TECHNOLOGIES, LLC AND SHOULD NOT BE USED WITHOUT WRITTEN PERMISSION

EC NO: 108529 DRWN: DGONDO CHK'D: SMARUYAMA APPR: TKUSUHARA01	2016/09/07	GENERAL TOLERANCES (UNLESS SPECIFIED)	DIMENSION UNITS	SCALE	
	2016/09/20	ANGULAR TOL ± 1.0 °	MM	5:1	
	2016/09/20	4 PLACES ± 0.3	DRWN BY	DATE	
		3 PLACES ± 0.3	DGONDO	2016/07/28	
	2 PLACES ± 0.3	CHK'D BY	DATE		
	1 PLACE ± 0.3	SMARUYAMA	2016/08/02		
	0 PLACES ± 0.3	APPR BY	DATE		
		KMORIKAWA	2016/08/04		
		DRAWING SIZE	THIRD ANGLE PROJECTION		
		A3			
		DRAFT WHERE APPLICABLE MUST REMAIN WITHIN DIMENSIONS			

PRODUCT CUSTOMER DRAWING	
SERIES	MATERIAL NUMBER
505603	SEE TABLE IN SHEET 1
CUSTOMER	GENERAL
DOCUMENT NUMBER	DOC TYPE
5056031000	PSD
DOC PART	SHEET NUMBER
000	1 OF 6



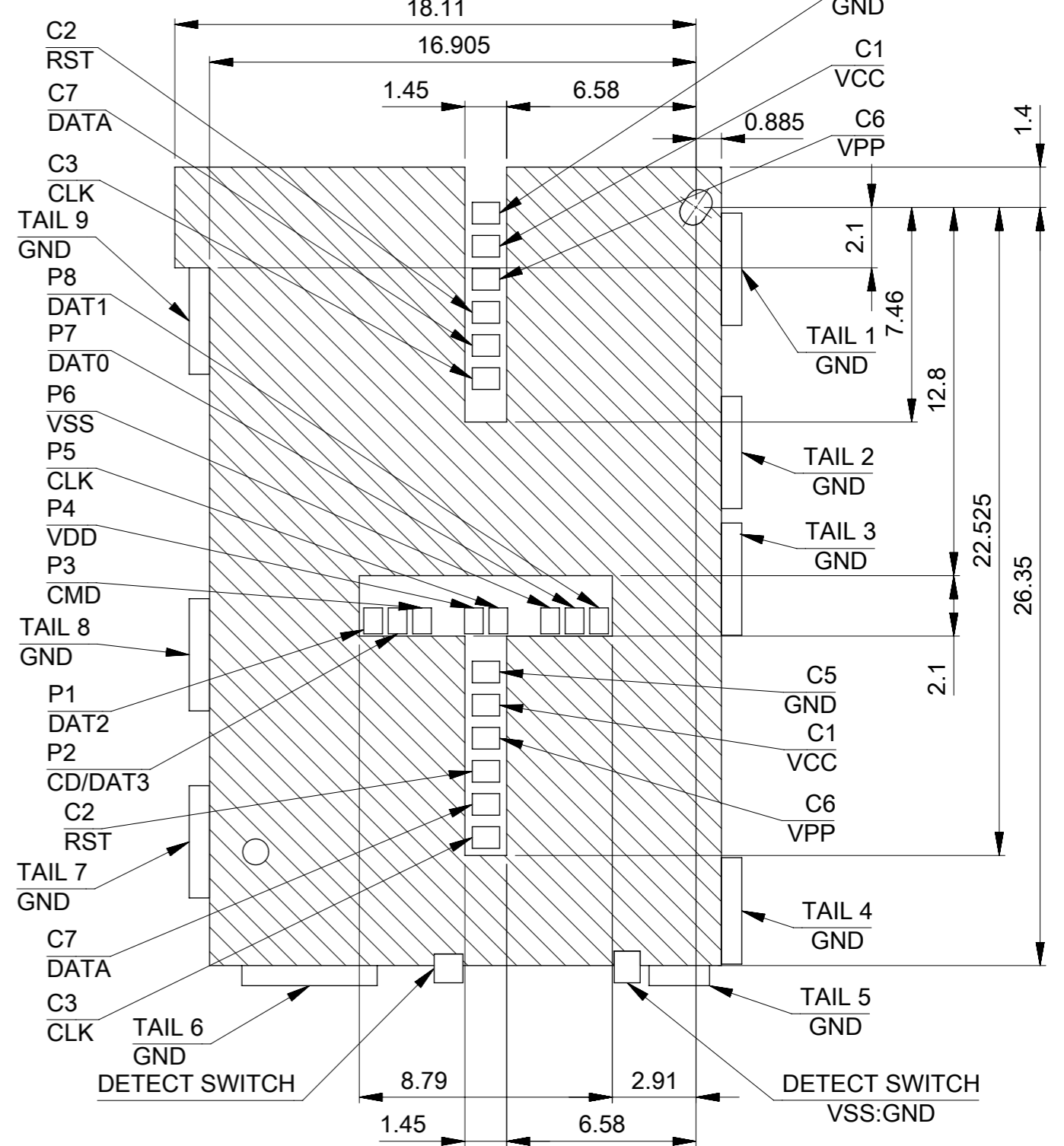
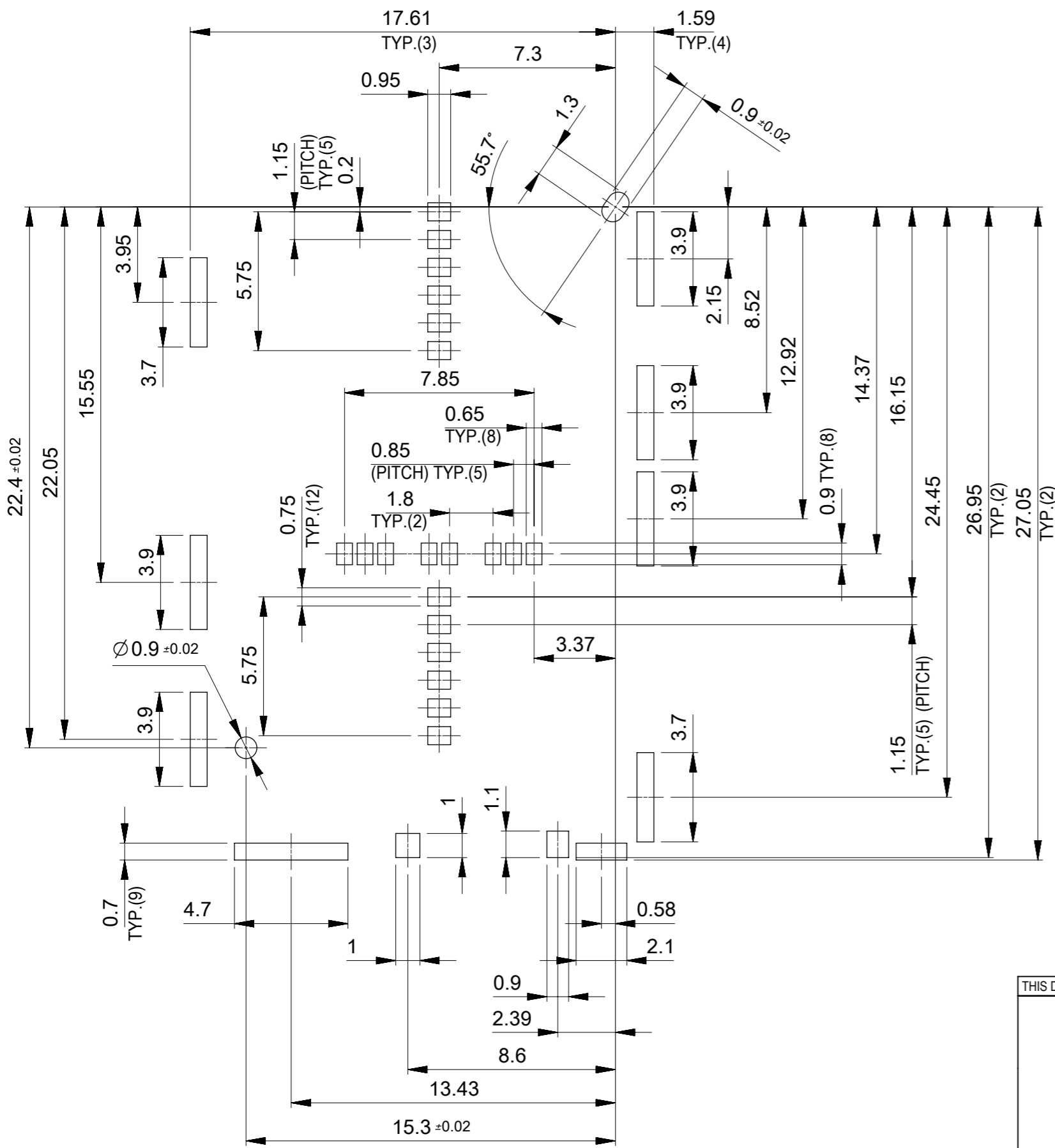
10. SET UP "TRAY REVERSE INSERTION BLOCKED AREA" IS RECOMMENDED. IT EFFECTS TO PREVENT REVERSE INSERTION.



11. APPLICATION SPECIFICATION REFER TO "5056032092 PS A00".

THIS DRAWING CONTAINS INFORMATION THAT IS PROPRIETARY TO MOLEX ELECTRONIC TECHNOLOGIES, LLC AND SHOULD NOT BE USED WITHOUT WRITTEN PERMISSION									
EC NO: 108529 DRWN: DGONDO CHK'D: SMARUYAMA APPR: TKUSUHARA01	2016/09/07	2016/09/20	2016/09/20	GENERAL TOLERANCES (UNLESS SPECIFIED) ANGULAR TOL ± 1.0 ° 4 PLACES ± 0.3 3 PLACES ± 0.3 2 PLACES ± 0.3 1 PLACE ± 0.3 0 PLACES ± 0.3	DIMENSION UNITS	SCALE			
					MM	2:1			
					DRWN BY	DATE	3IN2 BAR-PUSH CNC-TRAY ANTI-CRUSH ASSY (DUAL NSIM / NSIM+MSD)		
					DGONDO	2016/07/28			
					CHK'D BY	DATE	PRODUCT CUSTOMER DRAWING		
					SMARUYAMA	2016/08/02			
			APPR BY	DATE	SERIES	MATERIAL NUMBER	CUSTOMER		
			KMORIKAWA	2016/08/04	505603	SEE TABLE IN SHEET 1	GENERAL		
			DRAWING SIZE	THIRD ANGLE PROJECTION	DOCUMENT NUMBER		DOC TYPE	DOC PART	SHEET NUMBER
			A3		5056031000		PSD	000	2 OF 6

PATTERN KEEP OUT AREA
GENERAL TORELANCES : ±0.05

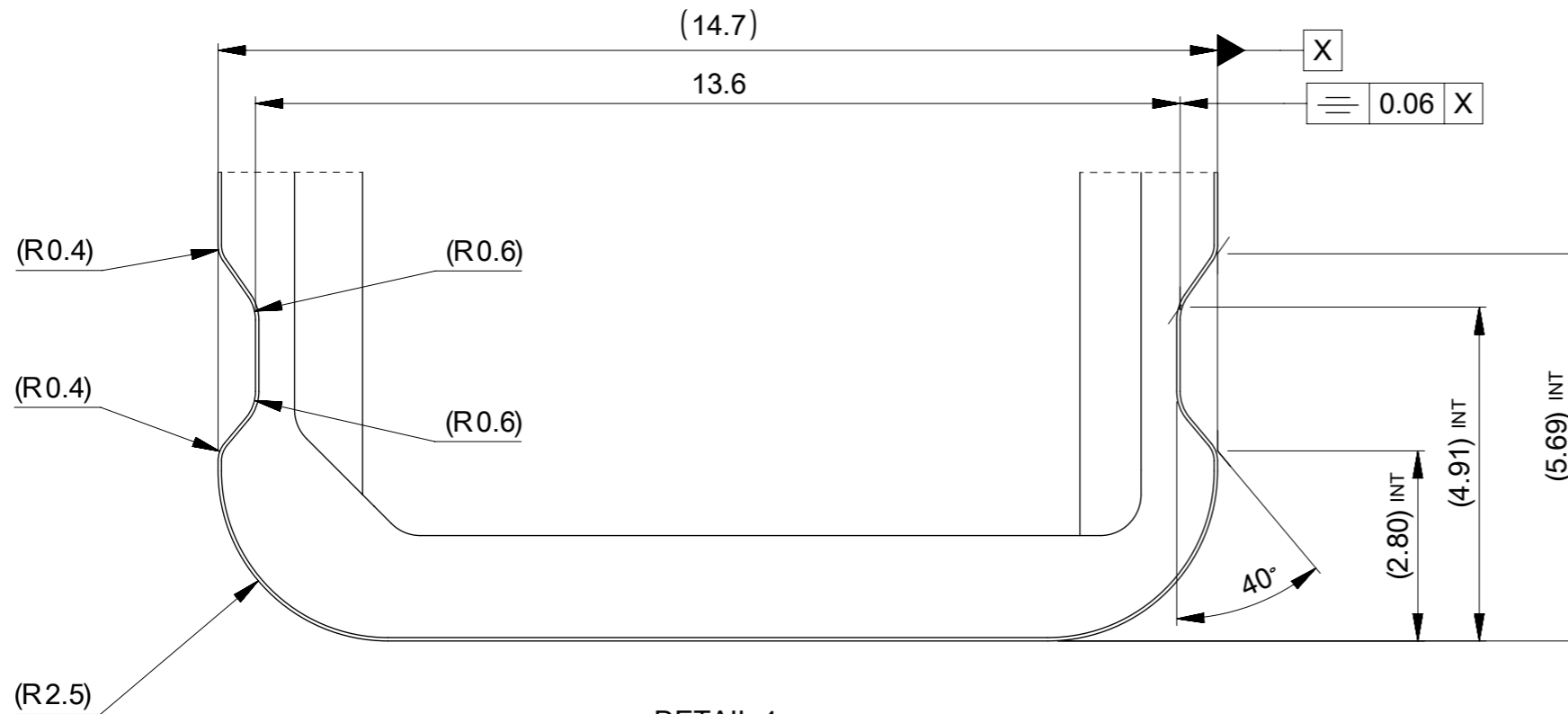


RECOMMENDED P.W.BOARD PATTERN LAYOUT
GENERAL TORELANCES : ±0.05

THIS DRAWING CONTAINS INFORMATION THAT IS PROPRIETARY TO MOLEX ELECTRONIC TECHNOLOGIES, LLC AND SHOULD NOT BE USED WITHOUT WRITTEN PERMISSION

EC NO: 108529 DRWN: DGONDO CHK'D: SMARUYAMA APPR: TKUSUHARA01	2016/09/07	GENERAL TOLERANCES (UNLESS SPECIFIED)	DIMENSION UNITS	SCALE	
	2016/09/20	ANGULAR TOL ± 1.0 °	MM	5:1	
	2016/09/20	4 PLACES ± 0.3	DRWN BY	DATE	
		3 PLACES ± 0.3	DGONDO	2016/07/28	
	2 PLACES ± 0.3	CHK'D BY	DATE		
	1 PLACE ± 0.3	SMARUYAMA	2016/08/02		
	0 PLACES ± 0.3	APPR BY	DATE		
		KMORIKAWA	2016/08/04		
		DRAFT WHERE APPLICABLE MUST REMAIN WITHIN DIMENSIONS	DRAWING SIZE	THIRD ANGLE PROJECTION	
			A3		
		PRODUCT CUSTOMER DRAWING			
		SERIES	MATERIAL NUMBER	CUSTOMER	
		505603	SEE TABLE IN SHEET 1	GENERAL	
		DOCUMENT NUMBER	DOC TYPE	DOC PART	SHEET NUMBER
		5056031000	PSD	000	3 OF 6

TRAY (REFERENCE ONLY)



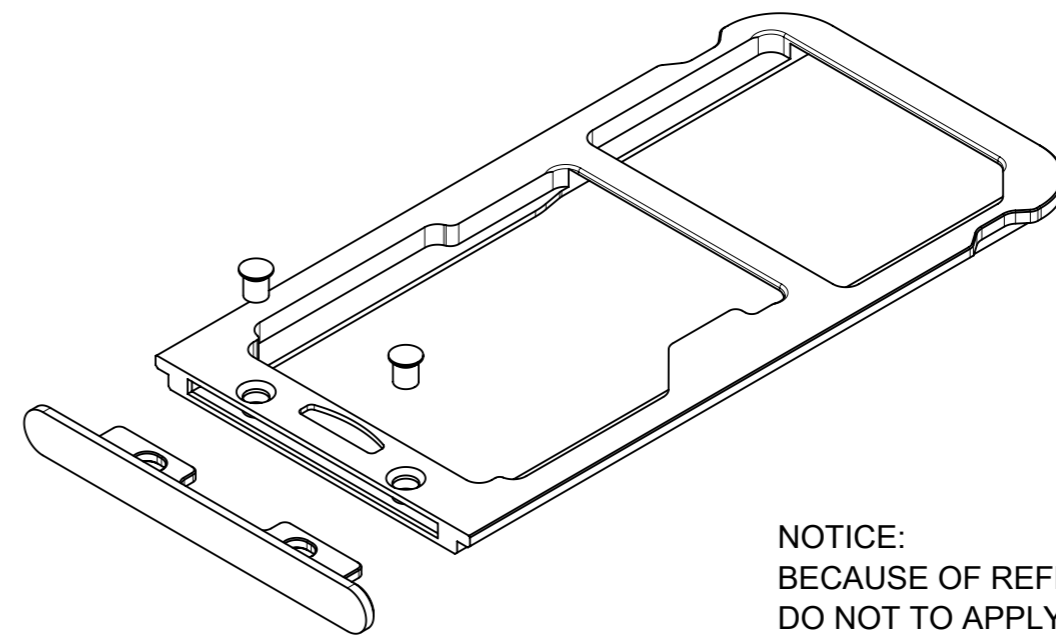
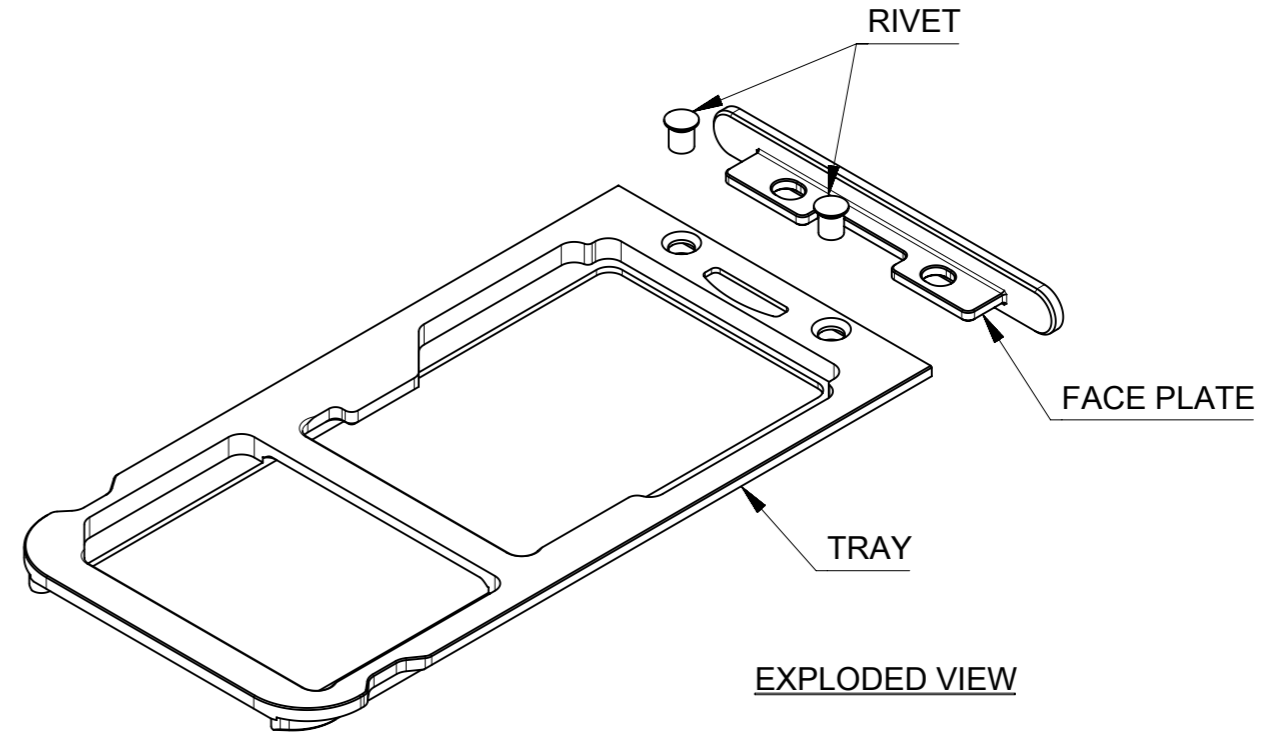
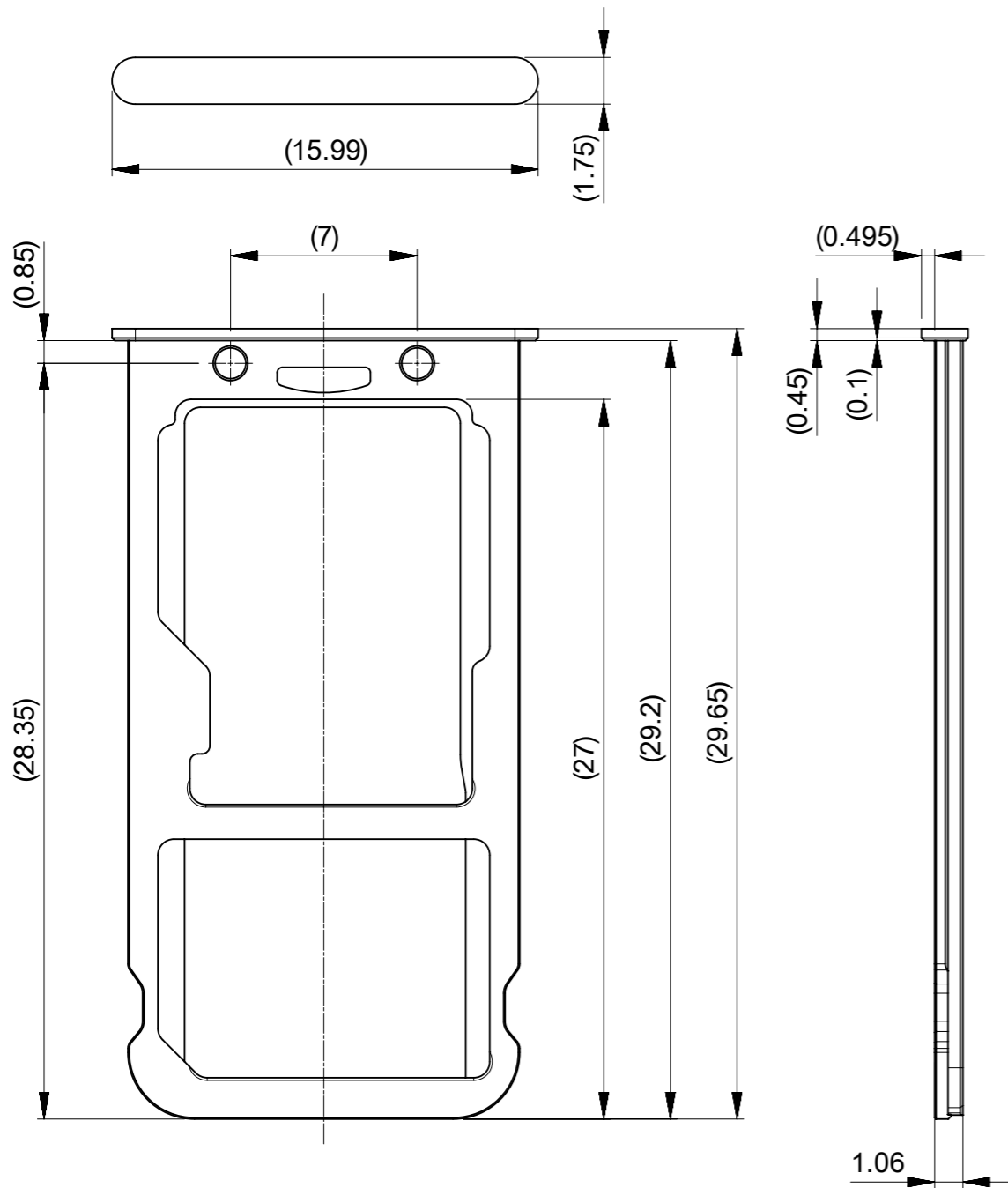
DETAIL 4
SCALE 10:1

Molex shall not be responsible for any infringement to the extent such infringement is the result of (a) use of the Product(s) in combination with any other products not provided by Molex if the infringement would not have occurred but for such combination, (b) any alteration or modification of the Product(s) not undertaken or authorized by Molex if the infringement would not have occurred but for such alteration or modification, (c) Molex's compliance with Buyer's specifications if the infringement would not have occurred but for such compliance, or (d) Buyer's failure to comply with Molex's instructions regarded as necessary to render the Product(s) non-infringing if the infringement would not have occurred if Buyer would have complied with Molex's instructions.

THIS DRAWING CONTAINS INFORMATION THAT IS PROPRIETARY TO MOLEX ELECTRONIC TECHNOLOGIES, LLC AND SHOULD NOT BE USED WITHOUT WRITTEN PERMISSION

EC NO: 108529 DRWN: DGONDO CHK'D: SMARUYAMA APPR: TKUSUHARA01	2016/09/07 2016/09/20 2016/09/20	GENERAL TOLERANCES (UNLESS SPECIFIED) ANGULAR TOL ± 1.0 ° 4 PLACES ± 0.3 3 PLACES ± 0.3 2 PLACES ± 0.3 1 PLACE ± 0.3 0 PLACES ± 0.3	DIMENSION UNITS	SCALE			
			MM	10:1			
			DRWN BY	DATE		DGONDO	2016/07/28
			CHK'D BY	DATE		SMARUYAMA	2016/08/02
			APPR BY	DATE	KMORIKAWA	2016/08/04	
			DRAWING SIZE	THIRD ANGLE PROJECTION			
			A3				
DRAFT WHERE APPLICABLE MUST REMAIN WITHIN DIMENSIONS			PRODUCT CUSTOMER DRAWING				
		SERIES	MATERIAL NUMBER	CUSTOMER			
		505603	SEE TABLE IN SHEET 1	GENERAL			
		DOCUMENT NUMBER	DOC TYPE	DOC PART	SHEET NUMBER		
		5056031000	PSD	000	5 OF 6		

TRAY CEPARATE TYPE (REFERENCE ONLY)



NOTICE:
BECAUSE OF REFERENCE EXAMPLE,
DO NOT TO APPLY THIS DESIGN.

Molex shall not be responsible for any infringement to the extent such infringement is the result of (a) use of the Product(s) in combination with any other products not provided by Molex if the infringement would not have occurred but for such combination, (b) any alteration or modification of the Product(s) not undertaken or authorized by Molex if the infringement would not have occurred but for such alteration or modification, (c) Molex's compliance with Buyer's specifications if the infringement would not have occurred but for such compliance, or (d) Buyer's failure to comply with Molex's instructions regarded as necessary to render the Product(s) non-infringing if the infringement would not have occurred if Buyer would have complied with Molex's instructions.

THIS DRAWING CONTAINS INFORMATION THAT IS PROPRIETARY TO MOLEX ELECTRONIC TECHNOLOGIES, LLC AND SHOULD NOT BE USED WITHOUT WRITTEN PERMISSION

EC NO: 108529 DRWN: DGONDO CHK'D: SMARUYAMA APPR: TKUSUHARA01	2016/09/07	GENERAL TOLERANCES (UNLESS SPECIFIED)		DIMENSION UNITS	SCALE			
	2016/09/20	ANGULAR TOL ± 1.0 °		MM	4:1			
	2016/09/20	4 PLACES ± 0.3	3 PLACES ± 0.3	DRWN BY	DATE			
		2 PLACES ± 0.3	1 PLACE ± 0.3	DGONDO	2016/07/28			
		0 PLACES ± 0.3		CHK'D BY	DATE			
			SMARUYAMA	2016/08/02	3IN2 BAR-PUSH CNC-TRAY ANTI-CRUSH ASSY (DUAL NSIM / NSIM+MSD)			
DRAFT WHERE APPLICABLE MUST REMAIN WITHIN DIMENSIONS						PRODUCT CUSTOMER DRAWING		
DRAWING SIZE		THIRD ANGLE PROJECTION				SERIES	MATERIAL NUMBER	CUSTOMER
A3					505603	SEE TABLE IN SHEET 1	GENERAL	
					DOCUMENT NUMBER	DOC TYPE	DOC PART	SHEET NUMBER
					5056031000	PSD	000	6 OF 6