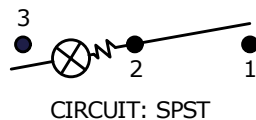


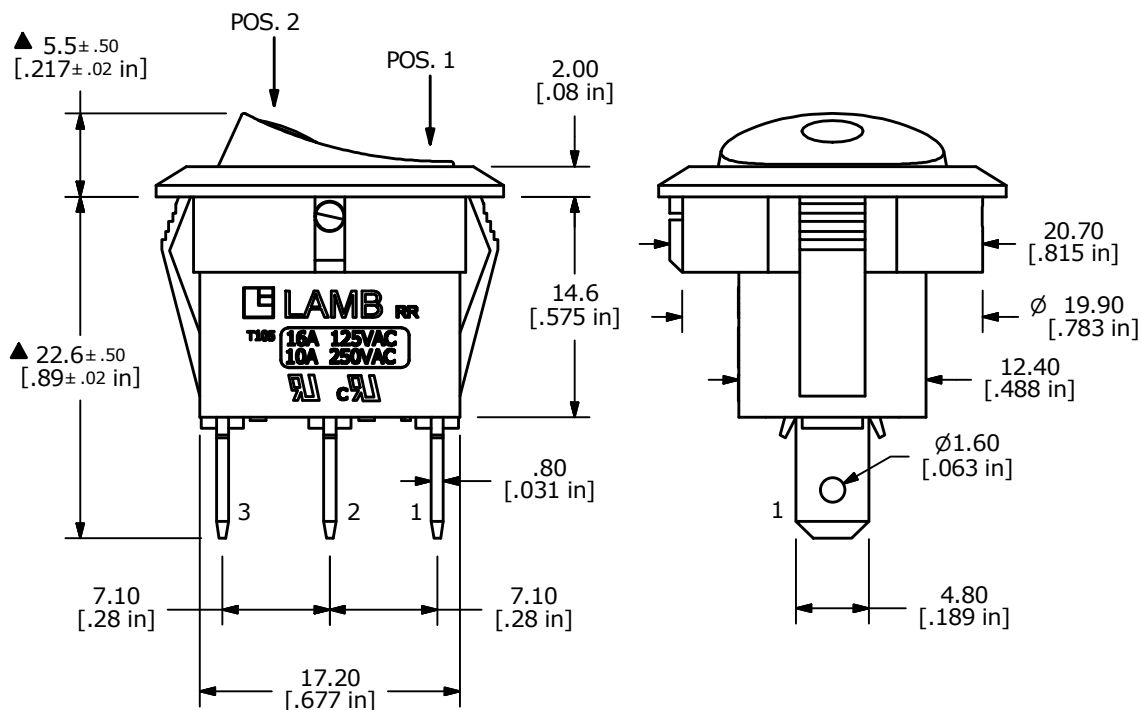
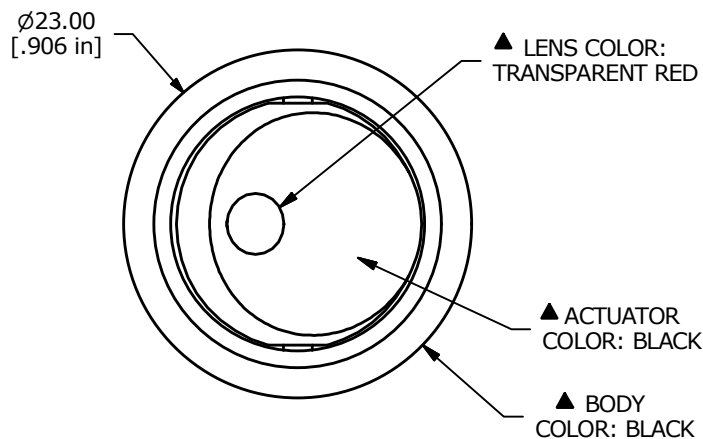
SWITCH FUNCTION	
POS. 1	POS. 2
OFF	ON
OPEN	2-1



PANEL THICKNESS	(X) DIM.
0.75 TO 1.25	20.2mm
1.25 TO 2.00	20.4mm
2.00 TO 3.00	20.6mm

NOTE:

1. DIMENSIONS IN MM [INCH]
2. GENERAL TOLERANCE: X.X = ± 0.4
X.XX = ± 0.25
3. TERMINAL NUMBERS FOR REF ONLY
4. CONTACT MATERIAL: SILVER
- ▲ 5. CONTACT RATING: ANSI/UL 1054 CAN/USA C22.2 NO. 55 (E194579):
16A @ 125VAC [UR, cUR]
10A @ 250VAC [UR, cUR]
1/3 HP 125/250VAC [UR, cUR]
EN 61058-1: 2002:
10(4)A 250~ μ 1E4 T125/55 [ENEC14, SEMKO]
10(2)A 250~ μ 5E4 T85/55 [ENEC14, SEMKO]
6. CONTACT RESISTANCE: 35mΩ MAX. @ 50VAC
7. INSULATION RESISTANCE: 100MΩ MIN. @ 500VAC
8. DIELECTRIC STRENGTH: 1,500VAC FOR 1 MINUTE
9. ELECTRICAL LIFE: 6,000 CYCLES [UR, cUR]
10,000 CYCLES [ENEC14, SEMKO: 10(4)A 250V~]
50,000 CYCLES [ENEC14, SEMKO: 10(2)A 250V~]
10. OPERATING TEMP.: -20°C to 105°C [UR, cUR]
-20°C to 125°C [ENEC14, SEMKO: 10(4)A 250V~]
-20°C to 85°C [ENEC14, SEMKO: 10(2)A 250V~]
11. ▲ DENOTES CRITICAL PARAMETER
12. 2011/65/EU (ROHS) COMPLIANT
- ▲ 13. ILLUMINATION VOLTAGE: 12V



B	22555	Update housing	12/15/16	MW
A	21164	RELEASE FOR PRODUCTION	6/26/13	EBP
REV	PCR NO	DESCRIPTION	DATE	BY

TITLE RR111C1100-214				
SCALE	DATE	DR	DWG	REV
2:1	6/26/2013	EBP	38-RR111C1100214	B

THE INFORMATION CONTAINED IN THIS DOCUMENT IS PROPRIETARY TO E-SWITCH AND IS NOT TO BE COPIED OR TRANSFERRED