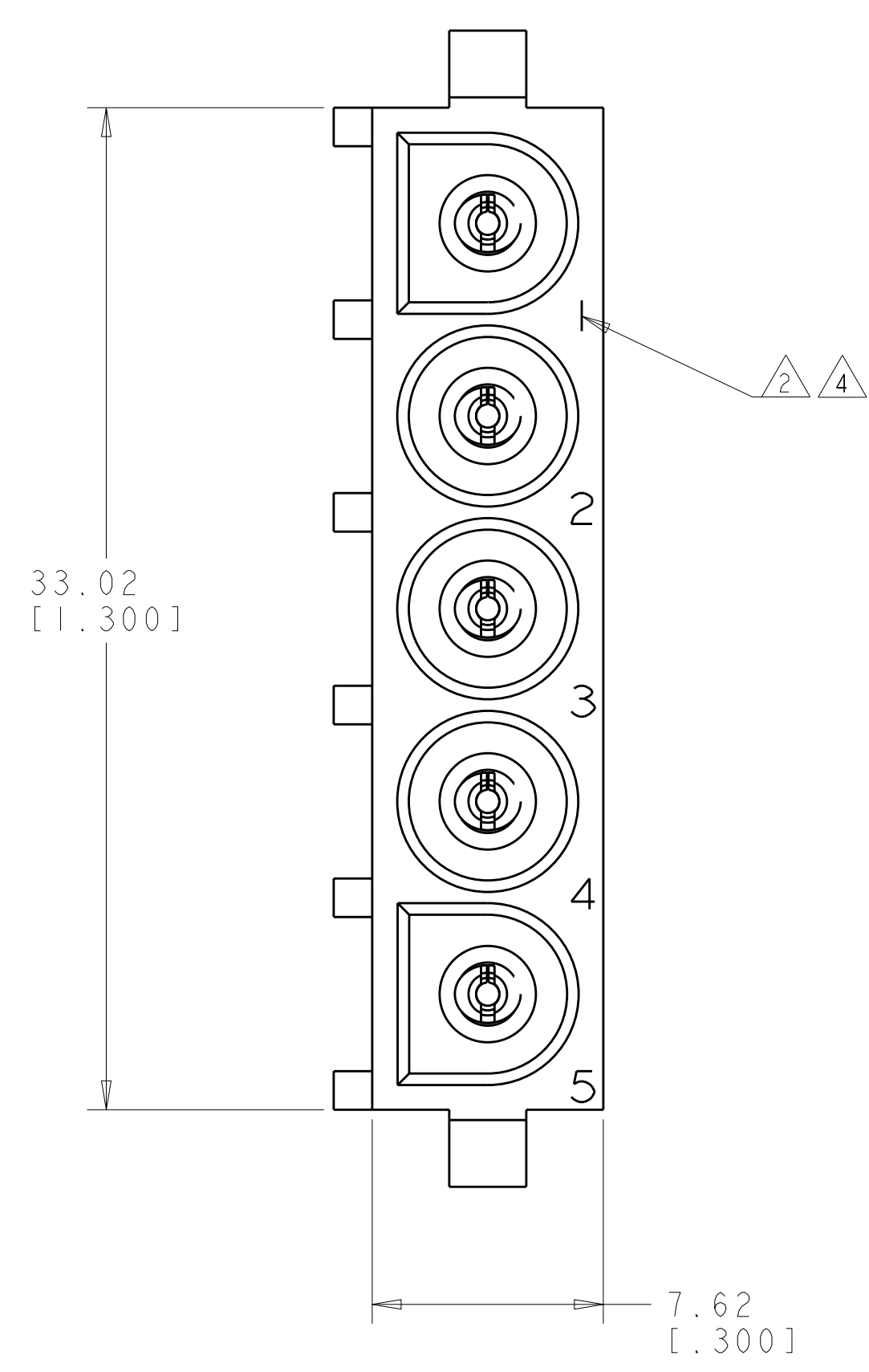
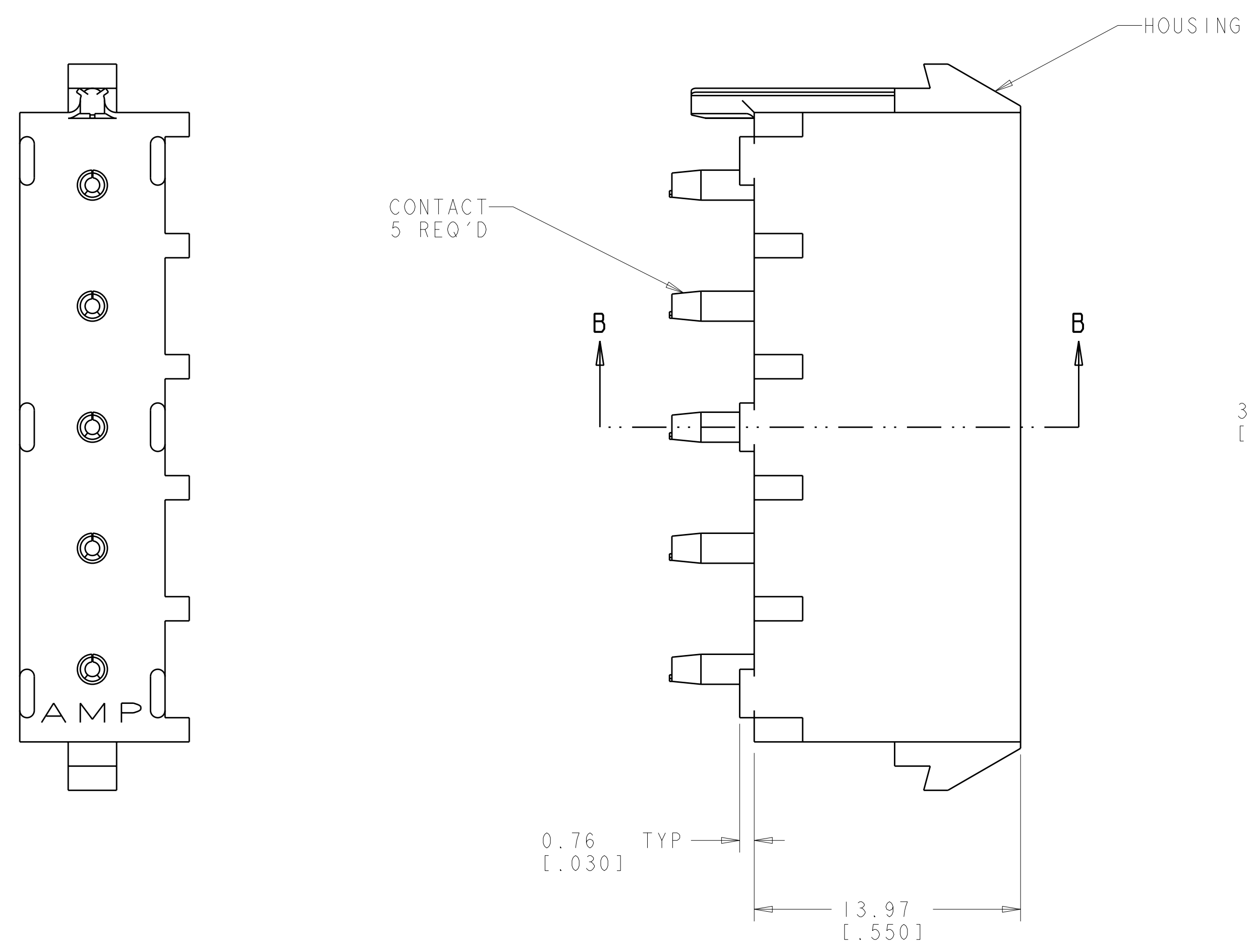
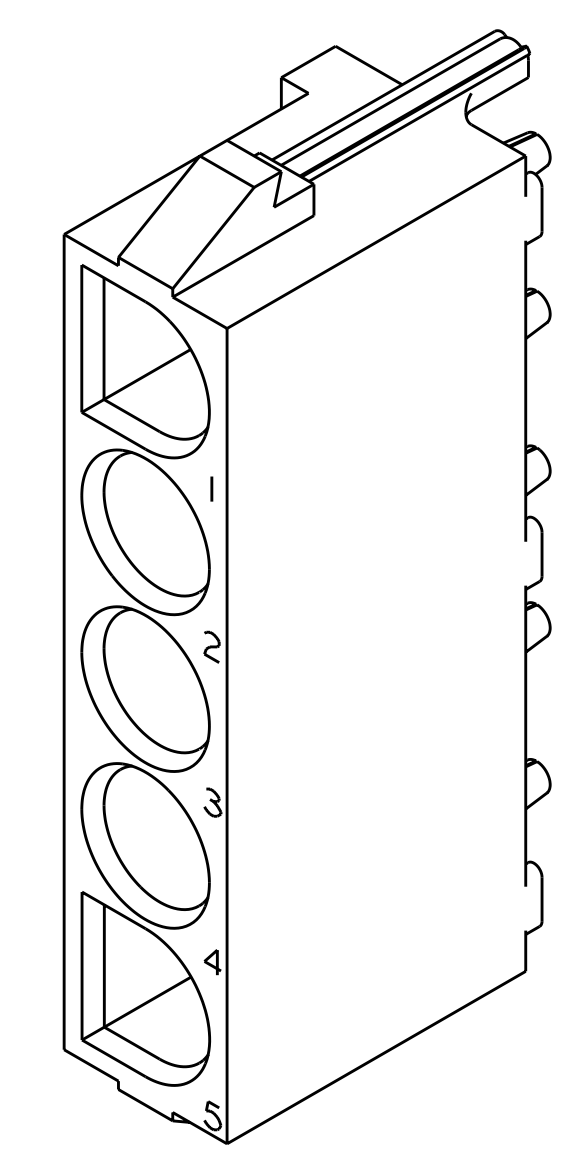


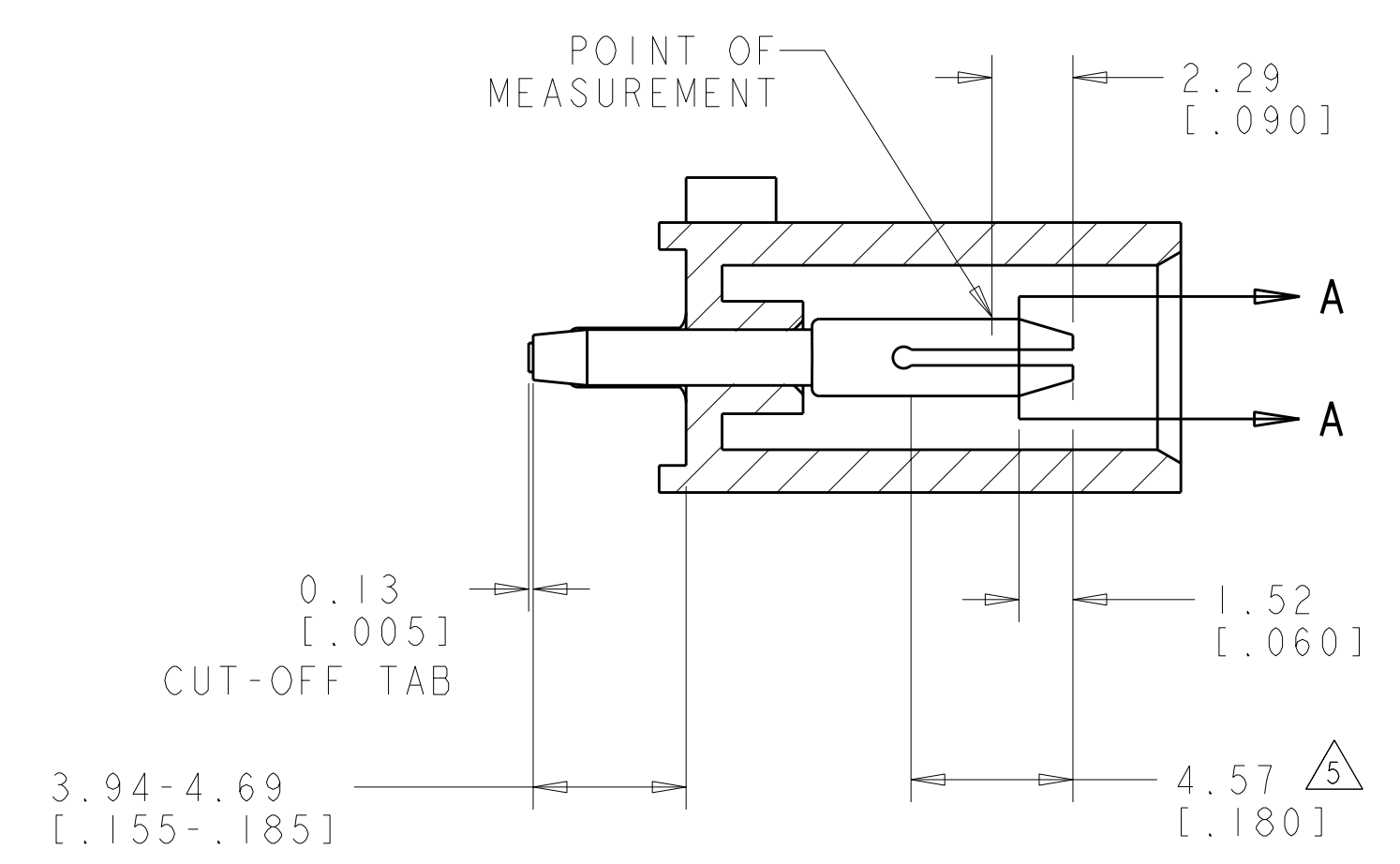
LOC	DIST	REV	DATE	BY	CHK	APPD
CM	00	0	05MAY04	KW	SR	
		01	31MAY05	KW	SR	
		02	11DEC09	KK	AEG	



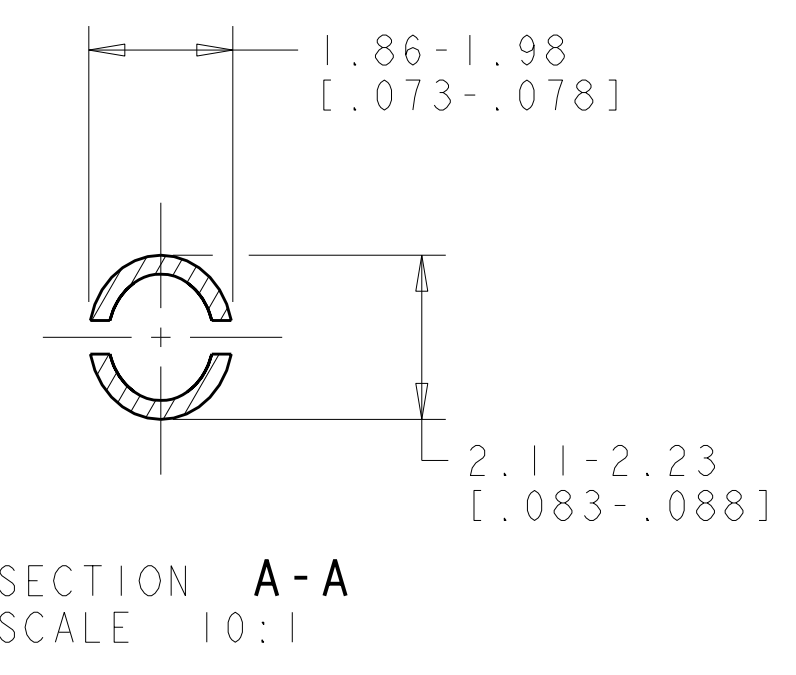
- PARTS COMPLY TO AMP SOLDERABILITY SPECIFICATION 109-11-3.
- CIRCUIT IDENTIFICATION CHARACTERS ARE ADJACENT TO THE INDICATED CAVITIES, BUT LOCATION AND ORIENTATION MAY DIFFER FROM PRINT.
- DIMENSIONS IN BRACKETS ARE IN INCHES.
- IDENTIFICATION WILL APPEAR AT CIRCUIT NO. 1, OTHERS OPTIONAL.
- CONTACT IS PLATED OVERALL WITH 0.00127 [0.00050] NICKEL, THEN 0.000075 [0.00030] GOLD OVER CONTACT LENGTH INDICATED AND MATTE TIN ON SOLDER TAIL END.
- OBsolete PARTS: OBSOLETE CIS STREAMLINING PER D.RENAUD/D.SINISI



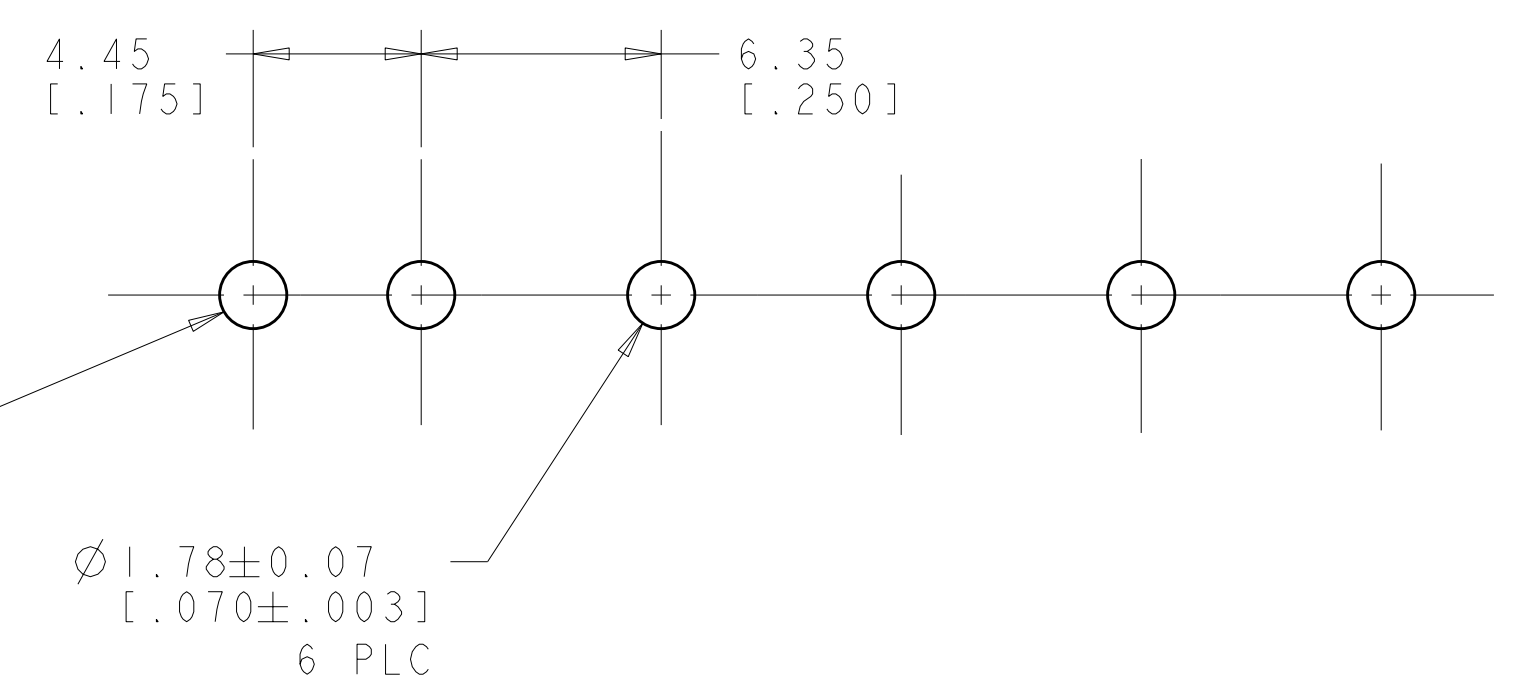
SCALE 4:1



SECTION B-B



SECTION A-A
SCALE 10:1



RECOMMENDED MOUNTING HOLE PATTERN FOR 1.57 [0.062] THICK P.C. BOARD

OBSOLETE	PHOSPOR BRONZE, GOLD	NYLON, UL94V-2, NATURAL	1586139-2
	PHOSPOR BRONZE, PRE-TIN	NYLON, UL94V-2, NATURAL	1586139-1
	PIN CONTACT MATERIAL AND FINISH	HOUSING MATERIAL AND COLOR	PART NUMBER



DIMENSIONS: mm [INCHES] TOLERANCES UNLESS OTHERWISE SPECIFIED: 9 PLC ± 8 PLC ±0.13 (.005) 5 PLC ± 4 PLC ± ANGLES 40° 30'		DWN R. WHITAKER CHK S. RIDGILL APPD S. RIDGILL PRODUCT SPEC APPLICATION SPEC WEIGHT CUSTOMER DRAWING		OSMAY04 OSMAY04 OSMAY04 NAME PIN HEADER ASSEMBLY, POLARIZED, 5 CIRCUIT, NO DRAIN HOLES, UNIVERSAL MATE-N-LOK™ SIZE CAGE CODE DRAWING NO. RESTRICTED TO A1 00779 C=1586139 SCALE 5:1 SHEET 1 OF 1 REV 02	
--	--	--	--	--	--