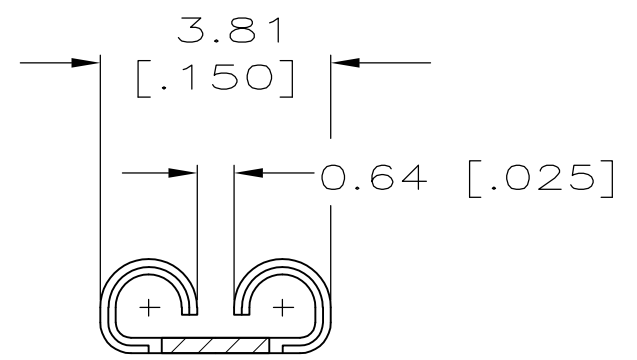
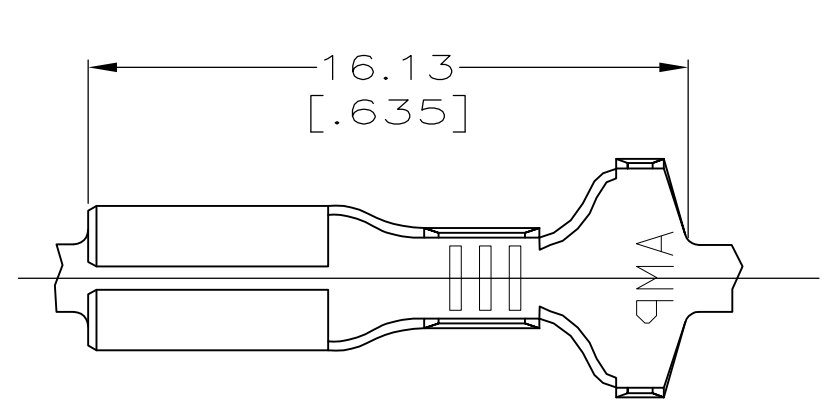


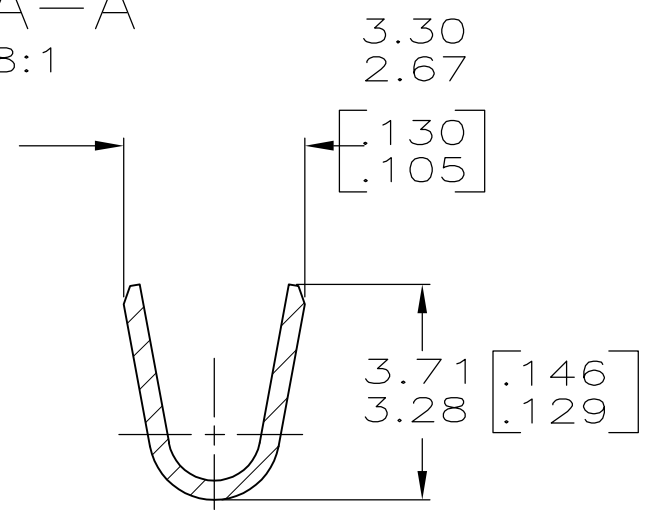
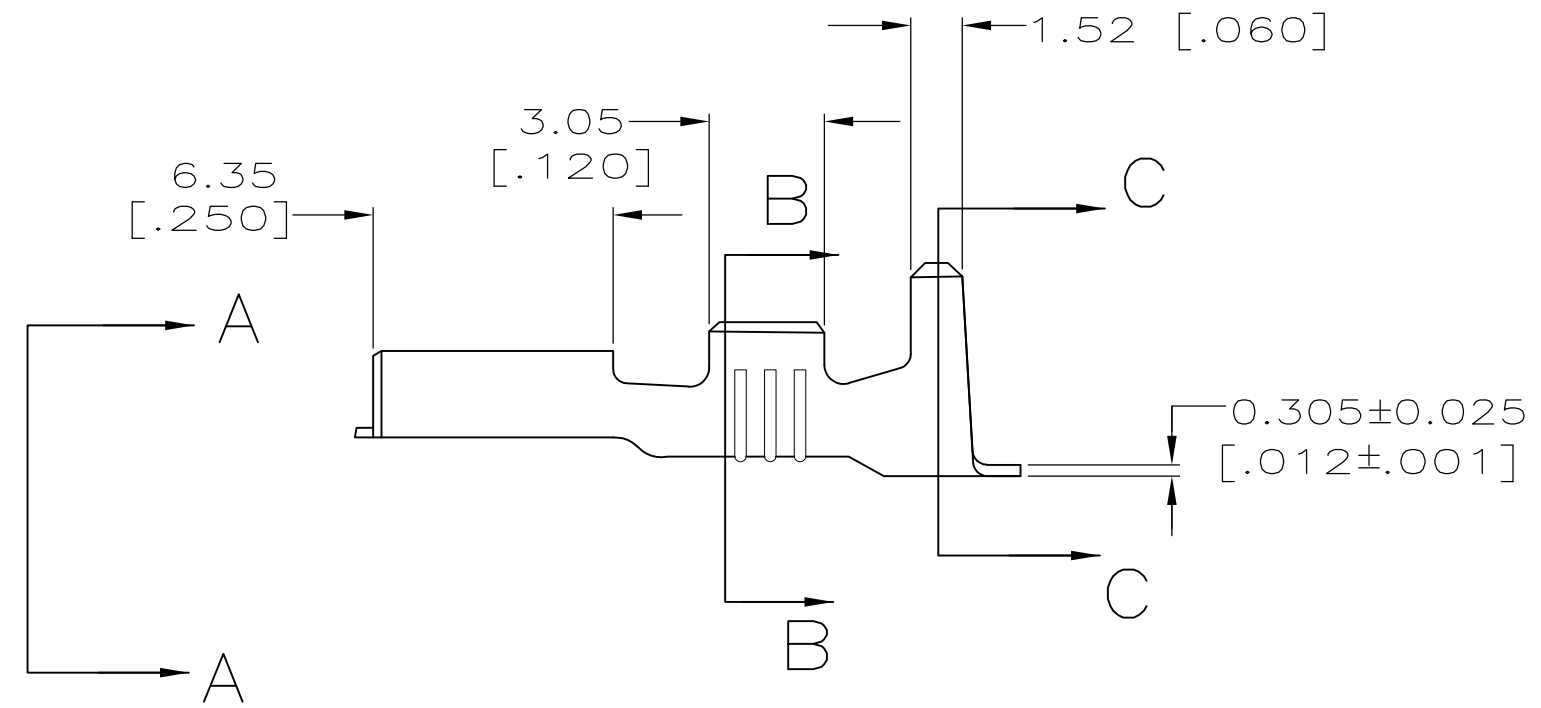
THIS DRAWING IS UNPUBLISHED. RELEASED FOR PUBLICATION
 © COPYRIGHT - By - ALL RIGHTS RESERVED.

LOC	DIST	REVISIONS			
P	LTR	DESCRIPTION	DATE	DWN	APVD
AF	50	E	REVISED PER ECR-12-013459	27NOV2012	KH PD

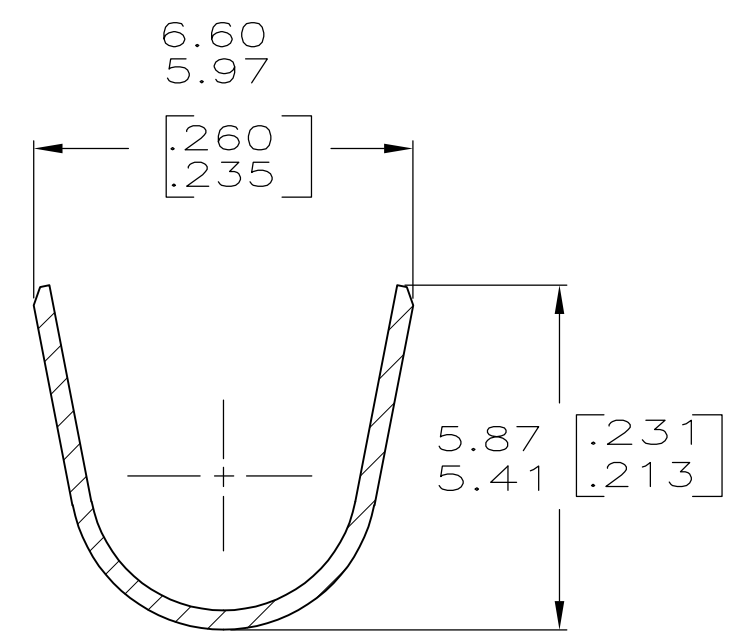
- CONTINUOUS STRIP ON REELS.
- ACCEPTS WIRE SIZE [#18-#14] AWG.
- INSULATION RANGE TO BE 2.79-4.83 [.110-.190] DIA.
- MATING TAB THK TO BE 0.813 ± 0.025 [.032 ± .001].



VIEW A-A
SCALE 8:1



SECTION B-B
SCALE 8:1



SECTION C-C
SCALE 8:1

63093-1
PART NO

THIS DRAWING IS A CONTROLLED DOCUMENT.		DWN JR RUTH 2/8/96	TE Connectivity		
DIMENSIONS: mm [INCHES]		CHK P FORTNEY 2/8/96			
TOLERANCES UNLESS OTHERWISE SPECIFIED:		APVD P DESANTIS 2/8/96	NAME RECEPTACLE, FASTON, 2.79 [.110] SERIES		
0 PLC ± - 1 PLC ± - 2 PLC ± 0.38 [.015] 3 PLC ± - 4 PLC ± - ANGLES ± -		PRODUCT SPEC -	APPLICATION SPEC 114-2036		
MATERIAL BRASS	FINISH TIN OVER COPPER	WEIGHT -	SIZE A3	CAGE CODE 00779	DRAWING NO C-63093
CUSTOMER DRAWING			SCALE 5:1	SHEET 1 OF 1	REV E