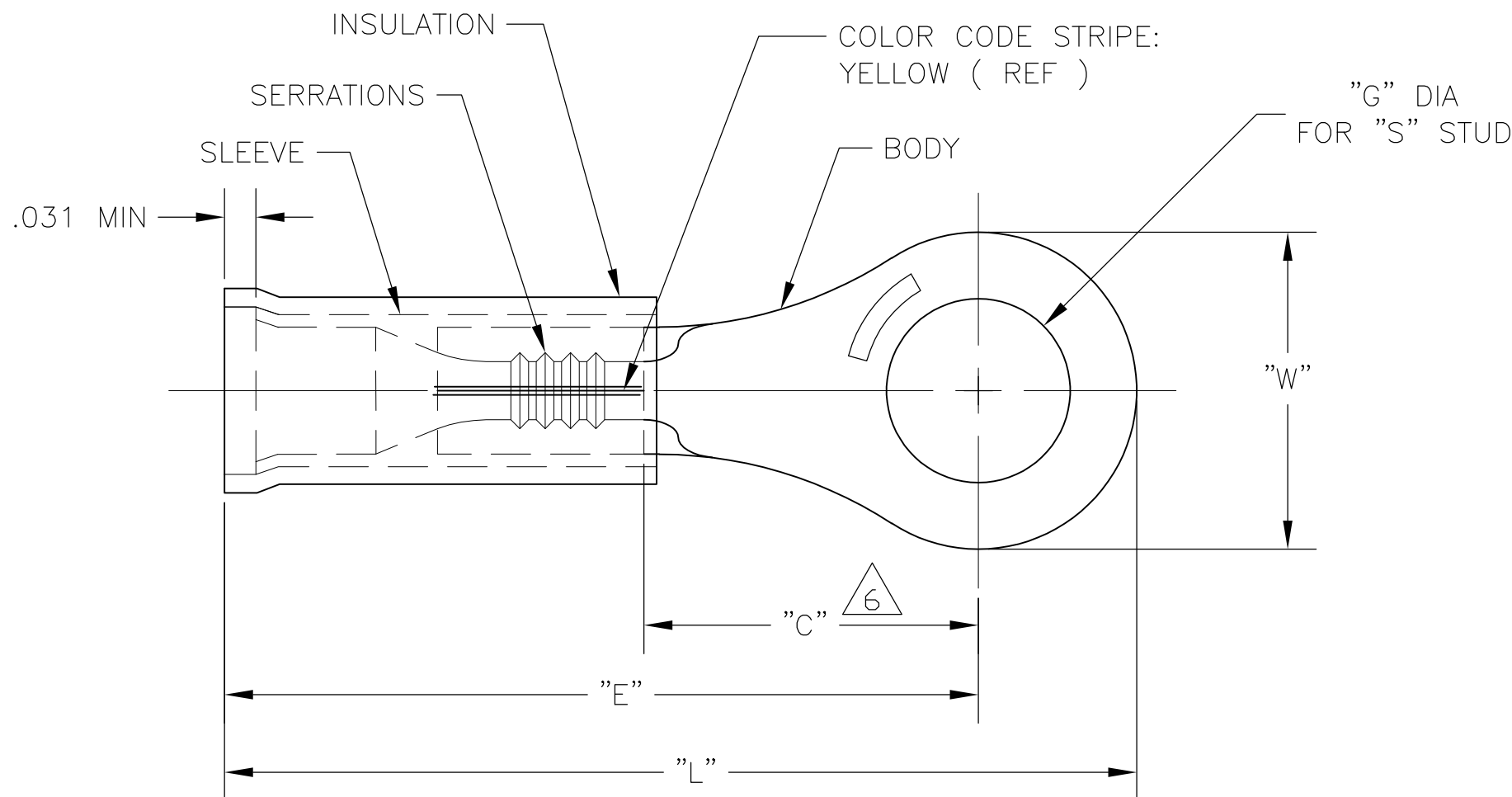


THIS DRAWING IS UNPUBLISHED.

RELEASED FOR PUBLICATION

© COPYRIGHT - BY TYCO ELECTRONICS CORPORATION. ALL RIGHTS RESERVED.

| | | | | |
|----------|------------|-----------------------|----------|------------|
| LOC G | DIST 37 | REVISIONS | | |
| P | LTR | DESCRIPTION | DATE | DWN |
| | A3 | REV PER ECR 07-016469 | 17JULY07 | JR |
| | | | | APVD TM |



1 MUST BE CRIMPED WITH A 22-18 OR 22-16 P.I.D.G. (RED) TOOL.

2 WIRE INSULATION DIA .032-.082

3 TONGUE MATERIAL THK: .027±.002

4 BODY & SLEEVE: TIN PLATE PER ASTM B545.

5 MATERIAL: BODY & SLEEVE: CU PER ASTM B152 INSULATION: PVF2, COLOR - NATURAL

6 APPLIES FROM EDGE OF METAL WIRE BARREL TO CENTER OF STUD HOLE.

7 150°C MAX OPERATING TEMP

8 CMA RANGE IS 202-509

| MILITARY P/N & CLASS | "W" | "C" | "E" | "G" | "S" | "L" | QTY | PACKAGE TYPE | PART NO. |
|----------------------|------|----------|----------|-----------|-----|----------|------|--------------|----------|
| M7928/4-143 CLASS 2 | .203 | .211 MIN | .632 MAX | .093±.003 | #2 | .741 MAX | 1000 | LOOSE PIECE | 696420-1 |
| M7928/4-144 CLASS 2 | .203 | .211 MIN | .632 MAX | .119±.003 | #4 | .741 MAX | 1000 | LOOSE PIECE | 696420-2 |
| M7928/4-145 CLASS 2 | .250 | .243 MIN | .664 MAX | .145±.003 | #6 | .797 MAX | 1000 | LOOSE PIECE | 696420-3 |
| M7928/4-146 CLASS 2 | .281 | .250 MIN | .671 MAX | .171±.003 | #8 | .819 MAX | 1000 | LOOSE PIECE | 696420-5 |
| M7928/4-147 CLASS 2 | .312 | .281 MIN | .702 MAX | .197±.003 | #10 | .866 MAX | 1000 | LOOSE PIECE | 696420-6 |

| | | | | |
|--|--|----------------------------------|--|--------------|
| THIS DRAWING IS A CONTROLLED DOCUMENT. | | DWN JR RUTH 29JUN05 | Tyco Electronics Corporation Harrisburg, Pa 17105-3608 | |
| DIMENSIONS: INCHES | | CHK T MICHIELUTTI 29JUN05 | NAME TERMINAL, PVF2, RING TONGUE, PIDG, WIRE SIZE: 26-24 AWG | |
| TOLERANCES UNLESS OTHERWISE SPECIFIED: | | APVD T MICHIELUTTI 29JUN05 | PRODUCT SPEC | |
| 0 PLC ± - | | APPLICATION SPEC | | |
| 1 PLC ± - | | SIZE | | |
| 2 PLC ± - | | CAGE CODE | | |
| 3 PLC ± - | | DRAWING NO | | |
| 4 PLC ± - | | RESTRICTED TO | | |
| ANGLES ± - | | A3 00779 C-696420 | | |
| FINISH | | WEIGHT | | |
| - 5 | | - | | |
| - 4 | | CUSTOMER DRAWING | | |
| | | SCALE 8:1 | | SHEET 1 OF 1 |
| | | | | REV A3 |