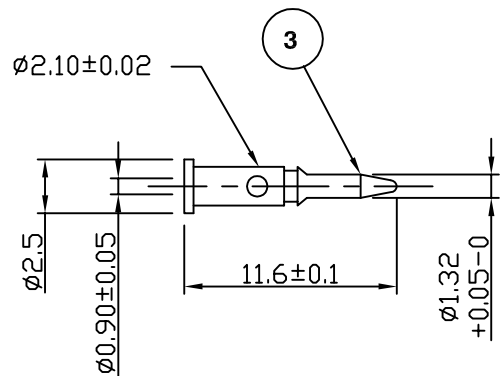
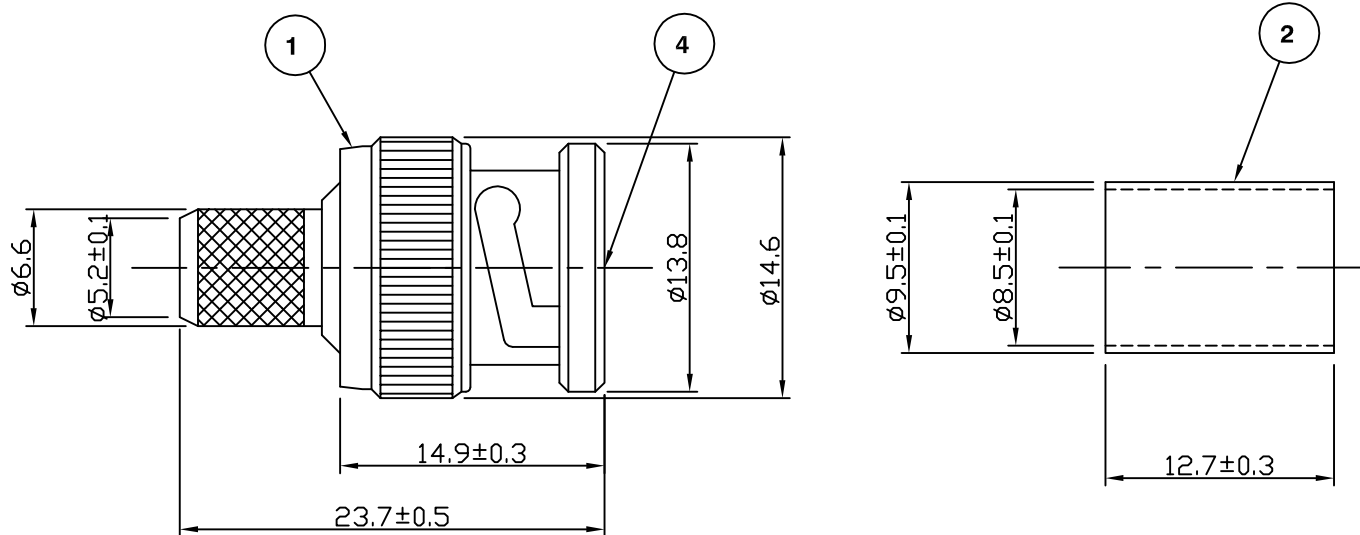


RoHS COMPLIANT



For stripping and assembly instructions see Drawing Number: VAIB1101

Electrical Characteristics

| | |
|-------------------------------------|-----------------------------|
| Nominal Impedance: | 75 ohms |
| Frequency Range: | DC to 1 GHz |
| VSWR: | 1.3:1 maximum |
| Insertion Loss: | 0.1 dB at 1 GHz |
| Operating Voltage (rms): | 500 V maximum at sea level |
| Dielectric Withstand Voltage (rms): | 1500 V maximum at sea level |
| Contact Resistance: | 1.5 milliohms maximum |
| Insulation Resistance: | 5000 megohms minimum |

Mechanical Characteristics

| | |
|-----------------------|------------------------|
| Mating Cycles: | 500 cycles minimum |
| Interface Dimensions: | Conform to MIL-C-39012 |

Environmental Characteristics

| | |
|--------------------|-------------------|
| Temperature Range: | -65 °C to +165 °C |
|--------------------|-------------------|

| PART | DESCRIPTION |
|------|---|
| 1 | Body Brass, nickel plated 2.54 μm |
| 2 | Ferrule Brass, nickel plated 2.54 μm |
| 3 | Contact Brass, gold plated 0.076 μm - 0.127 μm |
| 4 | Insulator PTFE |

| | | | |
|-------------------------|-------|-----|-----------|
| Measurements Altered | KA | 3 | 13 Aug 07 |
| CAD Issue | SN | 2 | 21 Aug 01 |
| First Issue | DW | 1 | 27 Aug 99 |
| DESCRIPTION OF REVISION | APPVD | ISS | DATE |



Cinch Connectivity Solutions
7-13 Russell Way,
Widford Industrial Estate,
Chelmsford, Essex,
CM1 3AA, UK.
Tel: +44 (0) 1245 359515
Fax: +44 (0) 1245 358938

SCALE: Not To Scale

DIMENSIONS: mm

TOLERANCES:
± 0.2mm unless
otherwise stated

| | |
|--------------|-----------|
| DRAWN BY: | S Nash |
| CHECKED BY: | M Nielsen |
| APPROVED BY: | P Couzens |
| DATE: | 21 Aug 01 |

TITLE:
**BNC Crimp Plug for Belden
8281**

PART NUMBER:
VB10-2026

PAGE: 1 of 1