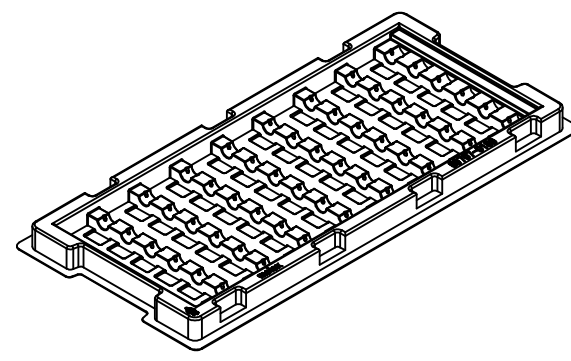
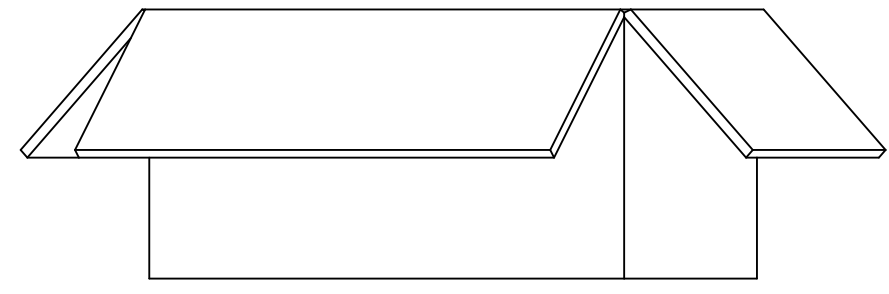


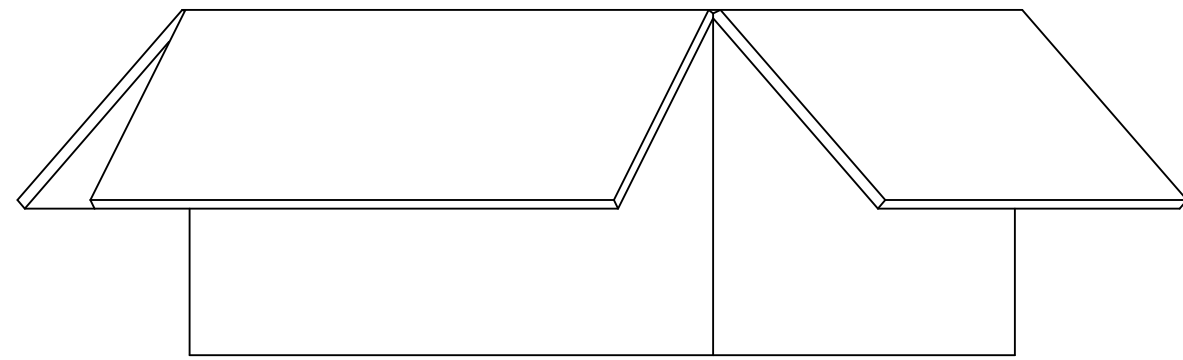
P/N 73171-2360



48 SETS PER TRAY
TRAY P/N 89707-0189



336 SETS PER INNER
CARTON BOX
P/N 96707-0001



672 SETS PER OUTER
CARTON BOX
P/N 96708-0005

CHG: NEW RELEASED
EC NO: URF2013-0065
DRWN: CWE102
CHKD: MHWANG
APPR: MHWANG
DATE: 2012/08/01
DATE: 2012/08/21

REV	DESCRIPTION
A	

QUALITY SYMBOLS	
	= 0
	= 0
	= 0

GENERAL TOLERANCES (UNLESS SPECIFIED)	
	mm INCH
4 PLACES	± .005 ± .0008
3 PLACES	± .005 ± .0008
2 PLACES	± .005 ± .0008
1 PLACE	± .005 ± .0008
0 PLACE	± .005 ± .0008
ANGULAR ± 2 °	
DRAFT WHERE APPLICABLE MUST REMAIN WITHIN DIMENSIONS	

DIMENSION STYLE	
MM/IN	
DRAWN BY	DATE
CWE102	2012/08/01
CHECKED BY	DATE
ALEX	2012/08/01
APPROVED BY	DATE
MHWANG	2012/08/21
MATERIAL NO.	DOCUMENT NO.
-----	SD-73171-236-PKG

SCALE	DESIGN UNITS	THIRD ANGLE PROJECTION
	METRIC	
TITLE		
PACKAGING FOR 73171-2360		
molex		SHEET NO.
		1 OF 1
THIS DRAWING CONTAINS INFORMATION THAT IS PROPRIETARY TO MOLEX INCORPORATED AND SHOULD NOT BE USED WITHOUT WRITTEN PERMISSION		