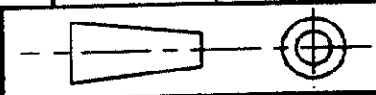
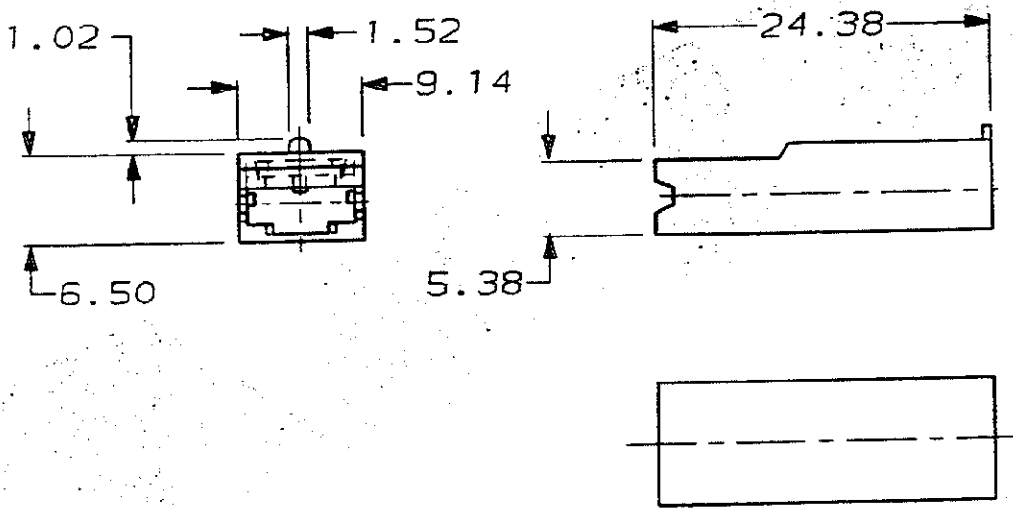


DO NOT SCALE

DIMENSIONS IN MM.



C.A.D. FILE CODE  
S. C341300.4



NOTE:-  
FOR APPLICATION SPEC. SEE 114-3003.

**⚠** OBSOLETE PARTS: OBSOLETE CIS STREAMLINING  
PER D.RENAUD/D.SINISI

BLACK	NYLON 6.6 (FIRE RETARDENT)	<b>⚠</b> <del>341300-9</del>
NATURAL	NYLON 6.6 (FIRE RETARDENT)	<b>⚠</b> <del>341300-0</del>
BLACK	NYLON 6.6	341300-9
GREY	NYLON 6.6	341300-8
VIOLET	NYLON 6.6	341300-7
BLUE	NYLON 6.6	341300-6
GREEN	NYLON 6.6	341300-5
YELLOW	NYLON 6.6	341300-4
ORANGE	NYLON 6.6	341300-3
RED	NYLON 6.6	341300-2
BROWN	NYLON 6.6	341300-1
NATURAL	NYLON 6.6	341300-0

FINISH	MATERIAL	PART NUMBER
<b>CUSTOMER DWG</b> FOR REFERENCE ONLY		RELEASED FOR PUBLICATION
TOLERANCES UNLESS OTHERWISE STATED: DEC ± 0.5 ANGLES ± 1°		DR. D.R. TERRY 6 FEB. 1992
		CH. D. BARRATT <i>[Signature]</i> APP. D. BARRATT <i>[Signature]</i>
		<b>TE</b> TE Connectivity
NAME: POSITIVE LOCK RECEPTACLE MKII (.250) INSULATOR		
6	REVISED PER ECO-11-005140	31MAR11
SCALE	LOC	SIZE
2/1	E	A4
DWG. No. C341300		REV 6
DATE		SHEET 1/1