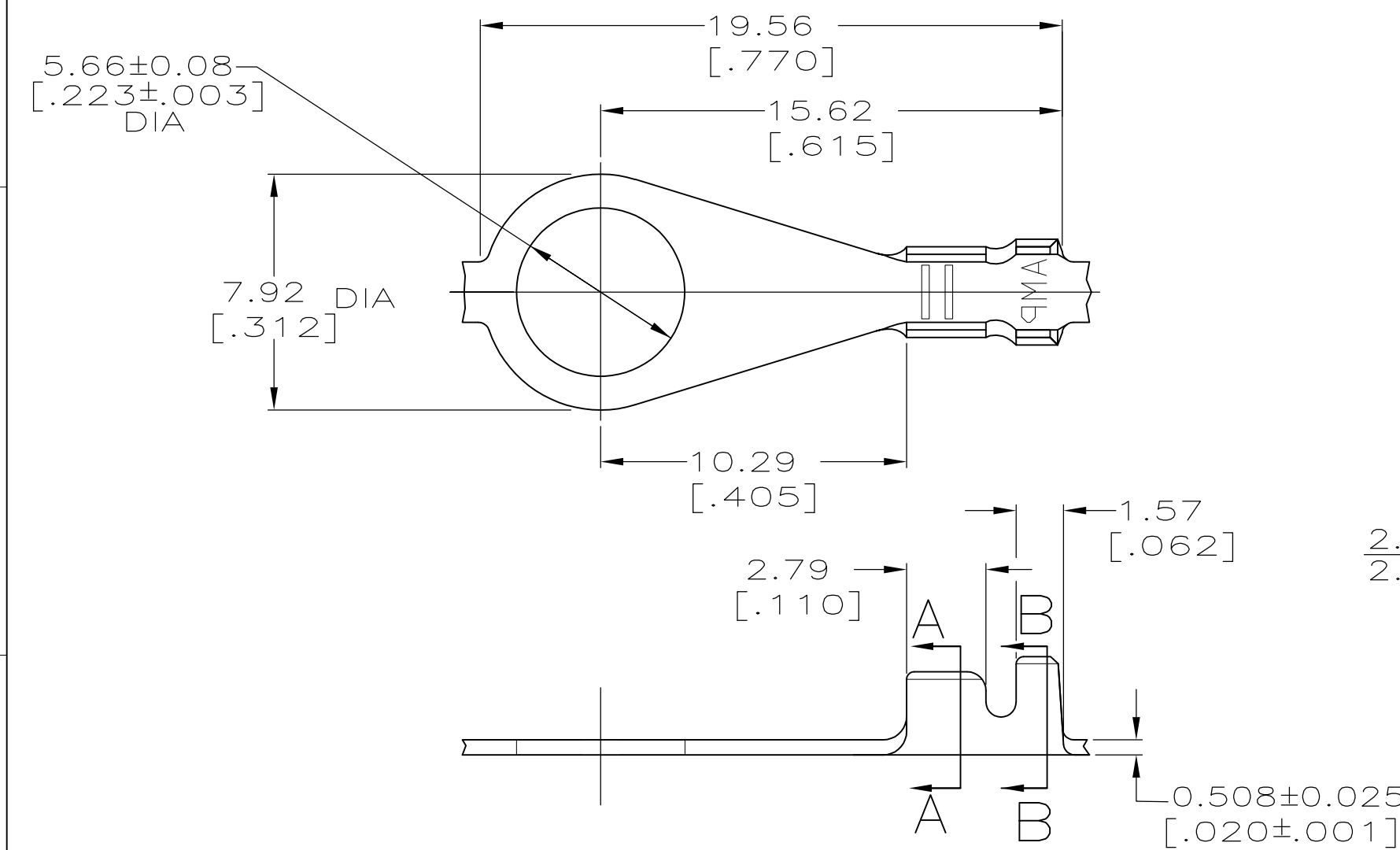
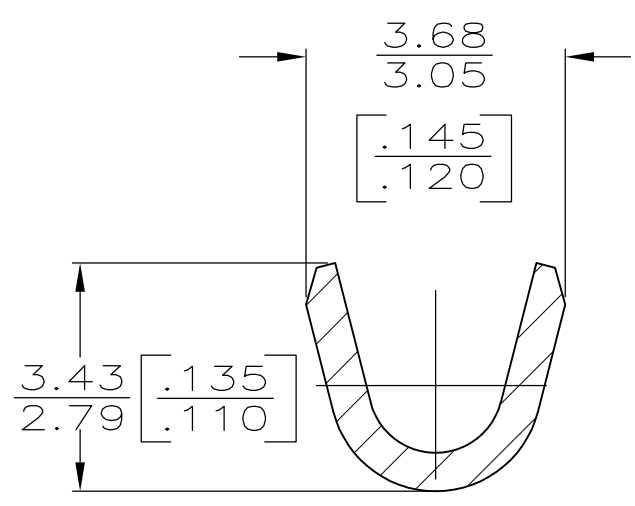
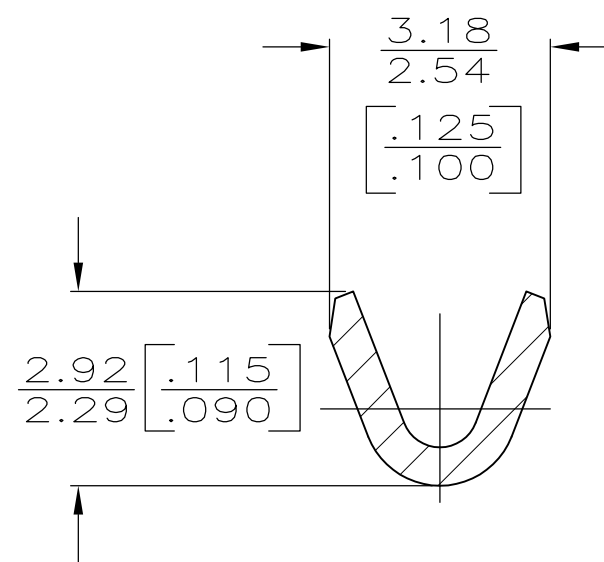


THIS DRAWING IS UNPUBLISHED. RELEASED FOR PUBLICATION
 © COPYRIGHT BY TYCO ELECTRONICS CORPORATION. ALL INTERNATIONAL RIGHTS RESERVED.

LOC	DIST	REVISIONS					
AF	50	P	LTR	DESCRIPTION	DATE	DWN	APVD
		B		REVISED PER ECR-10-006099	09JUL10	HMR	PD



1. CONTINUOUS STRIP ON REEL.



1.22-1.98 DIA [.048-.078]	0.2 - 0.6mm ² [24-20] AWG	63721-1
INSULATION RANGE	WIRE RANGE	PART NO

0	2.29 [.090]	4.32 [.170]	F	2.03 [.080]	1.40 [.055]	0.6mm ² [20]
					1.35 [.053]	0.3mm ² [22]
					1.27 [.050]	0.2mm ² [24]
TYPE	WIDTH	STRIP LENGTH ±0.38 [±.015]	TYPE	WIDTH	±0.051 [±.002] HEIGHT	WIRE
INSUL BARREL CRIMP			WIRE BARREL CRIMP			

THIS DRAWING IS A CONTROLLED DOCUMENT.

DIMENSIONS: mm [INCHES]

TOLERANCES UNLESS OTHERWISE SPECIFIED:

0 PLC ± -
 1 PLC ± -
 2 PLC ± 0.25 [.010]
 3 PLC ± -
 4 PLC ± -
 ANGLES ± -

MATERIAL #2 HARD BRASS

FINISH TIN

DWN P FORTNEY 8/3/93	 Tyco Electronics Corporation Harrisburg, PA 17105-3608	RING		
CHK JR RUTH 8/3/93		NAME		
APVD G YETTER 8/3/93		PRODUCT SPEC		
APPLICATION SPEC	SIZE	CAGE CODE	DRAWING NO	RESTRICTED TO
WEIGHT -	A3	00779	C-63721	-
CUSTOMER DRAWING		SCALE 5:1	SHEET 1 OF 1	REV B