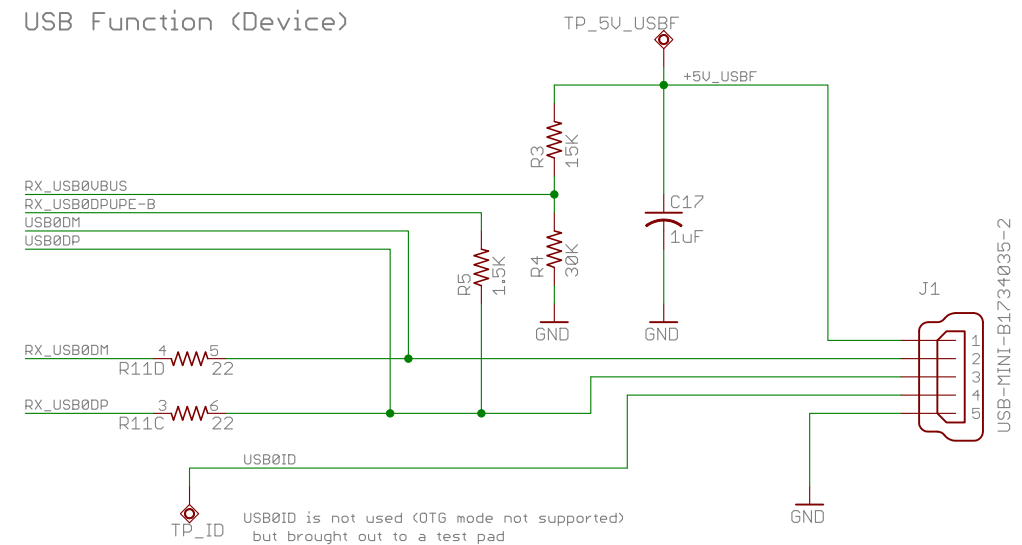
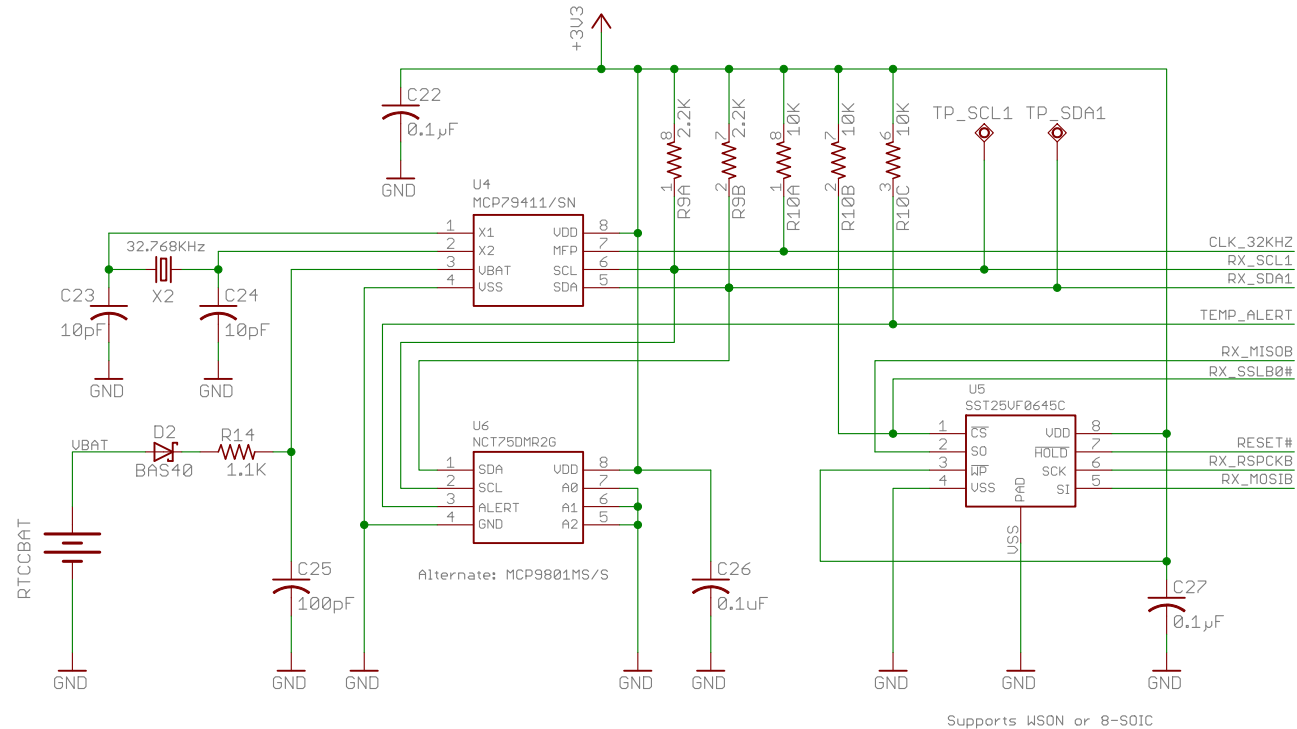
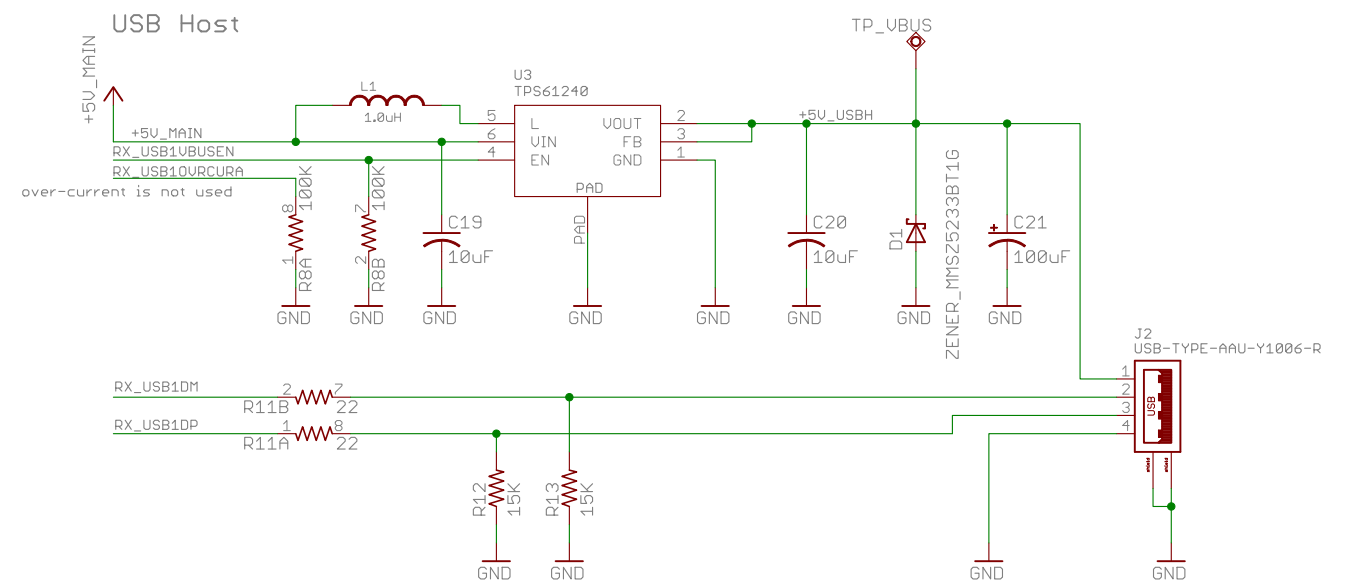


### USB Function (Device)

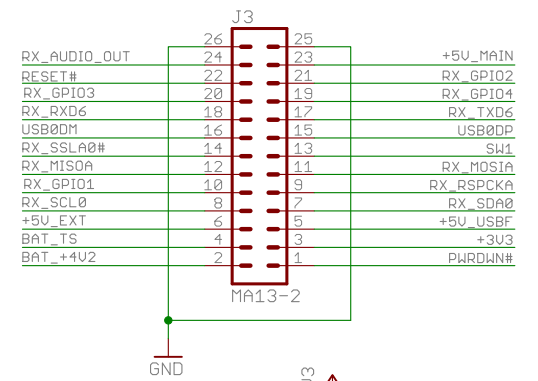


### USB Host

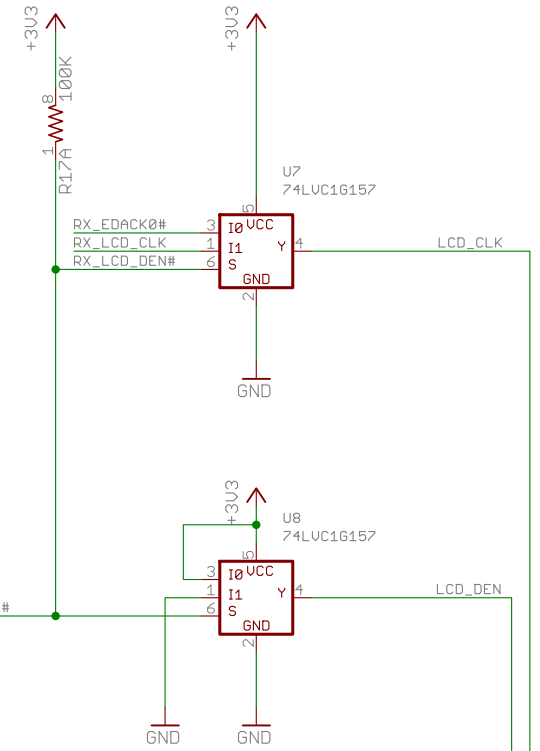
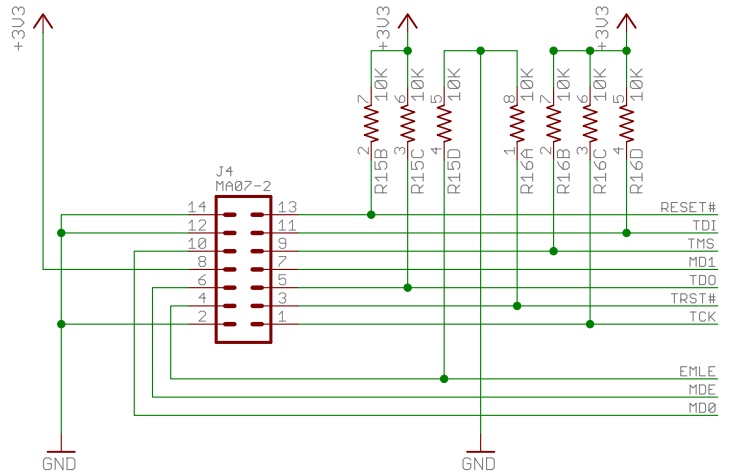


<b> Serious Integrated Module SIM205</b> SDRAM, USB, EEPROM, temp sensor, serial flash	
TITLE: SIM205_v1.4	REV: v1.4
<b> Serious</b> (c) Serious Integrated, Inc Date: 11/10/2011 2:21:13 PM Sheet: 2/4	

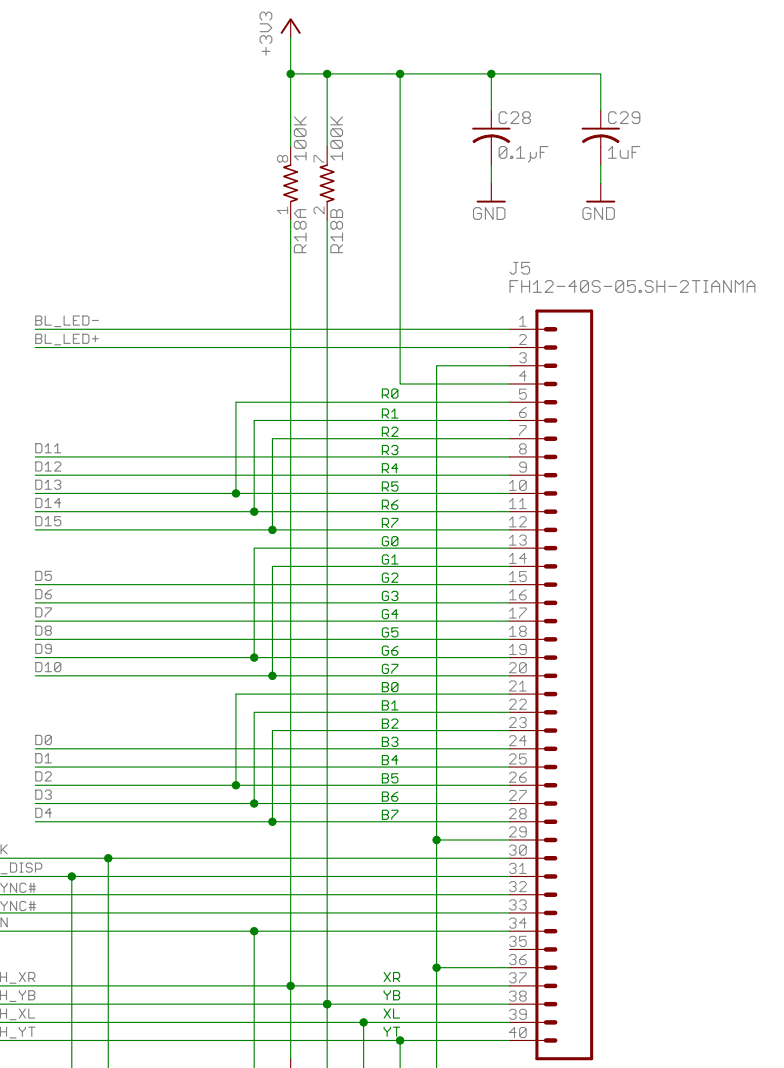
### Host Interface



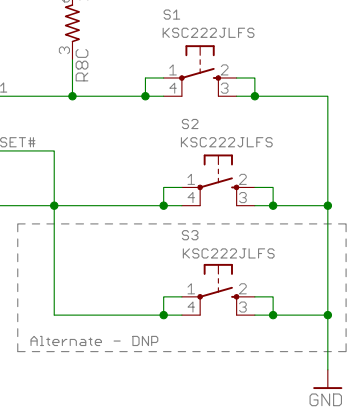
### E1 Emulator Interface



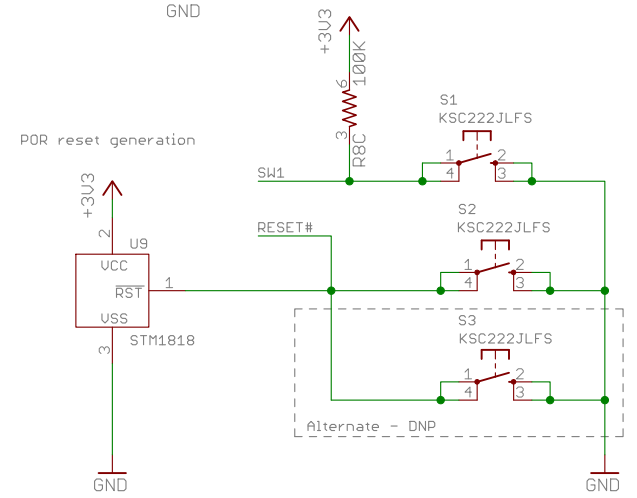
### LCD FPC Connector



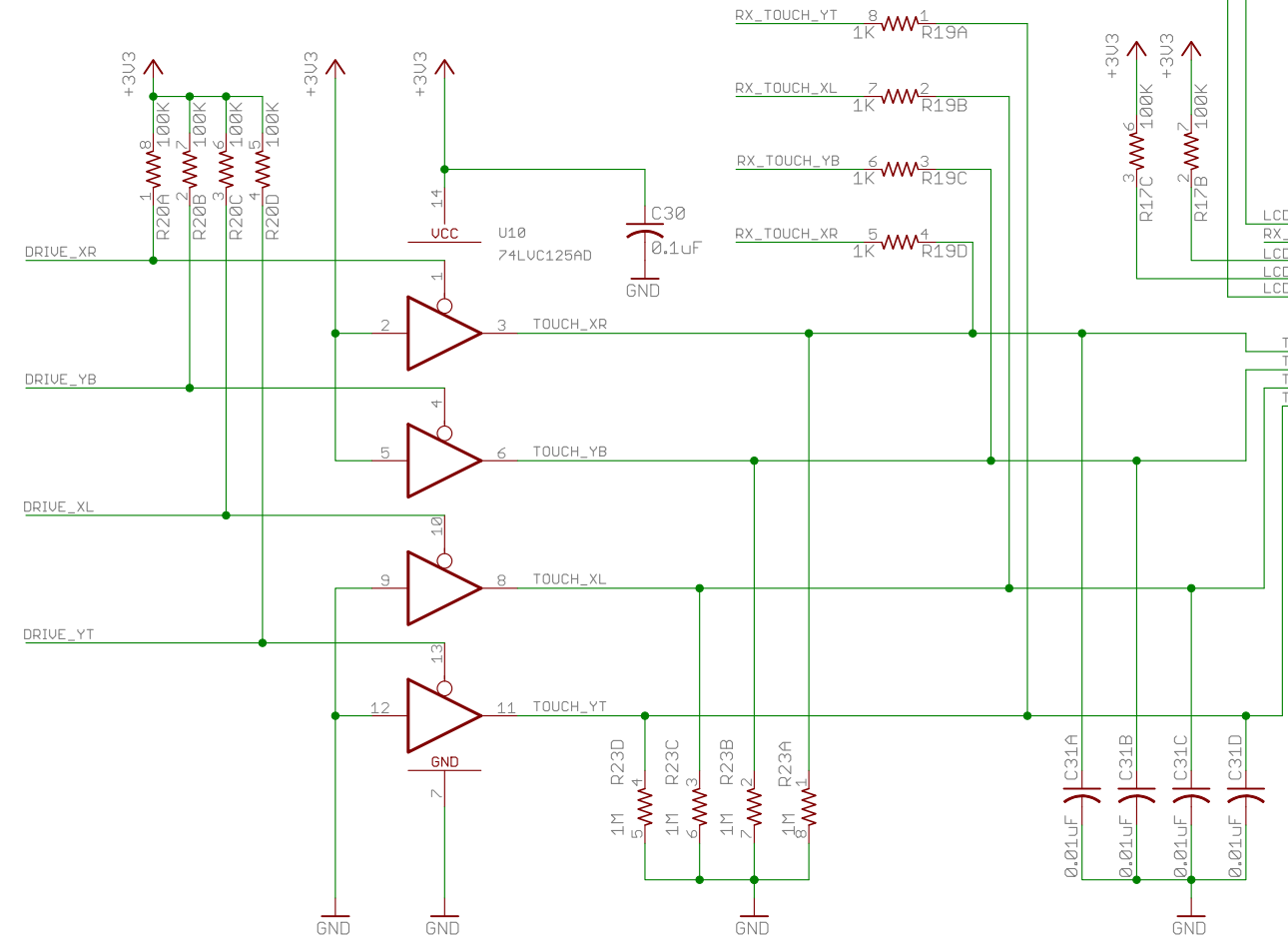
### Option Switch



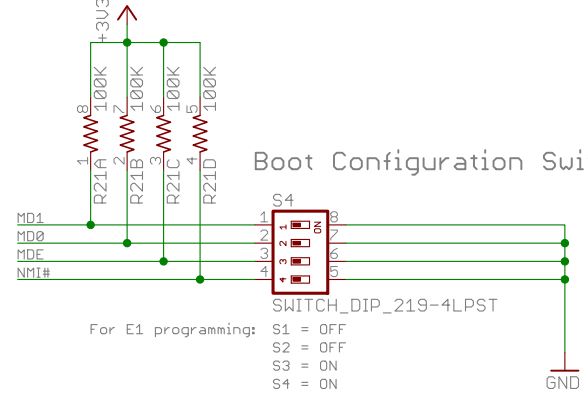
### Reset Switches



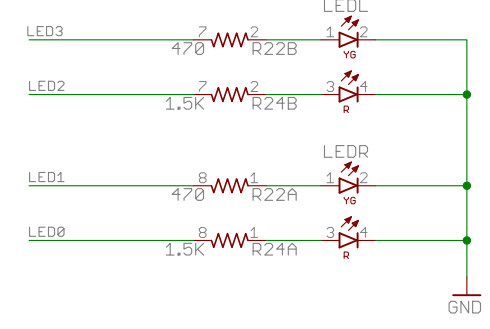
### Touch Driver Section



### Boot Configuration Switches

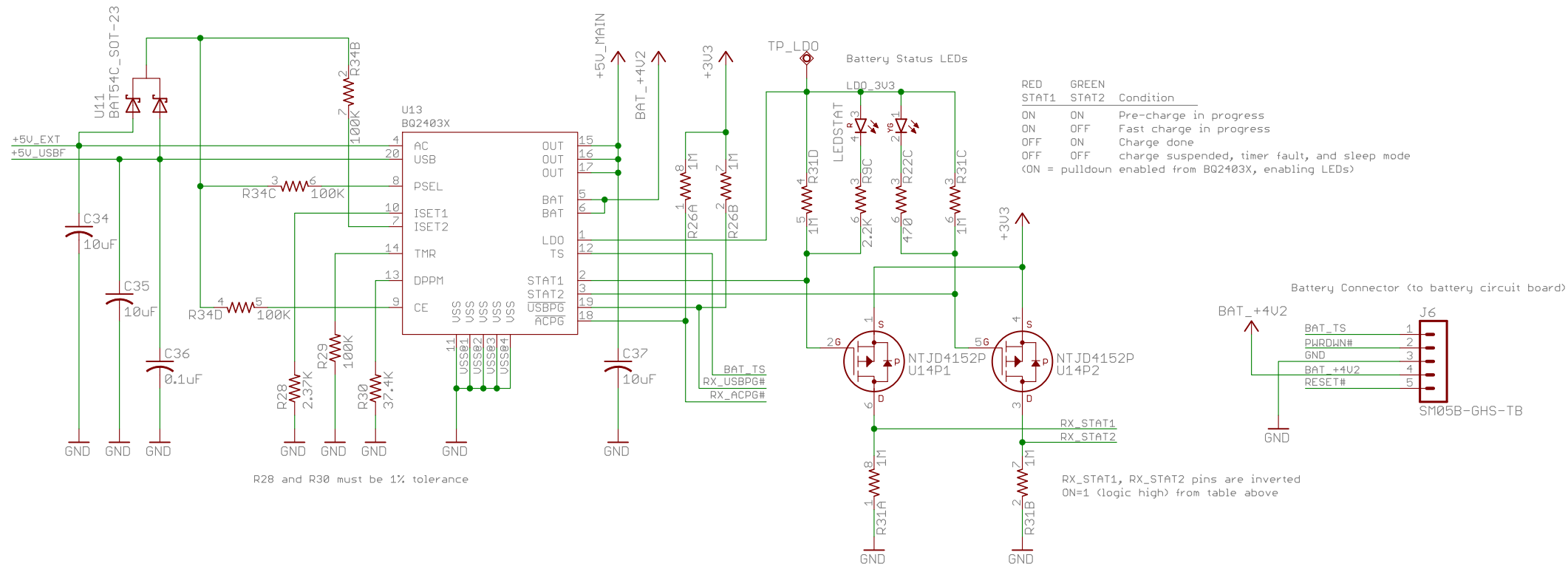


### Front Panel LEDs

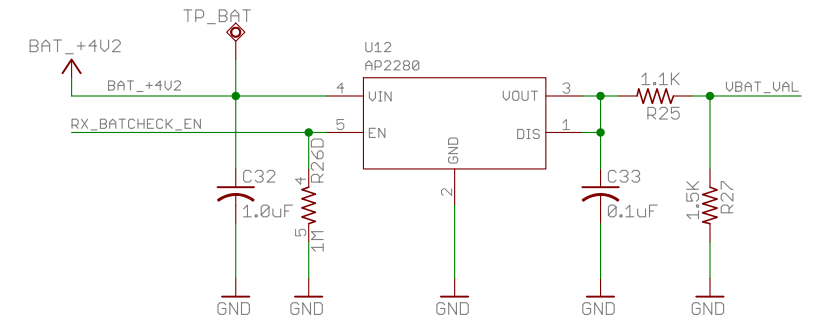


Serious Integrated Module SIM205 Host, emulator, reset, switches, LEDs & LCD	
TITLE: SIM205_v1.4	REV: v1.4
<b>Serious</b> (c) Serious Integrated, Inc Date: 11/10/2011 2:21:13 PM Sheet: 3/4	

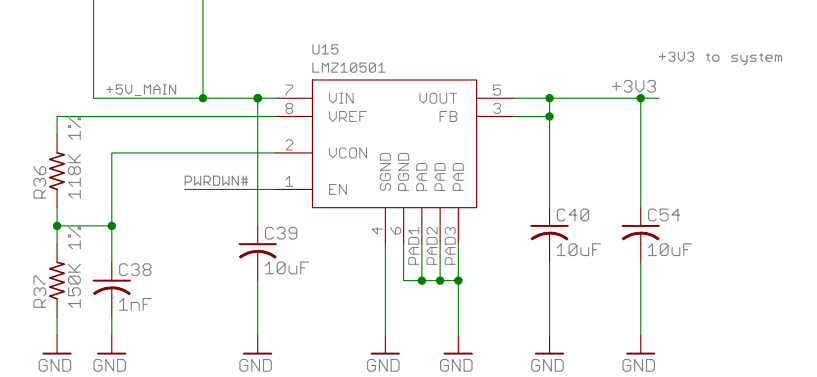
### Power supply, battery charging & regulation



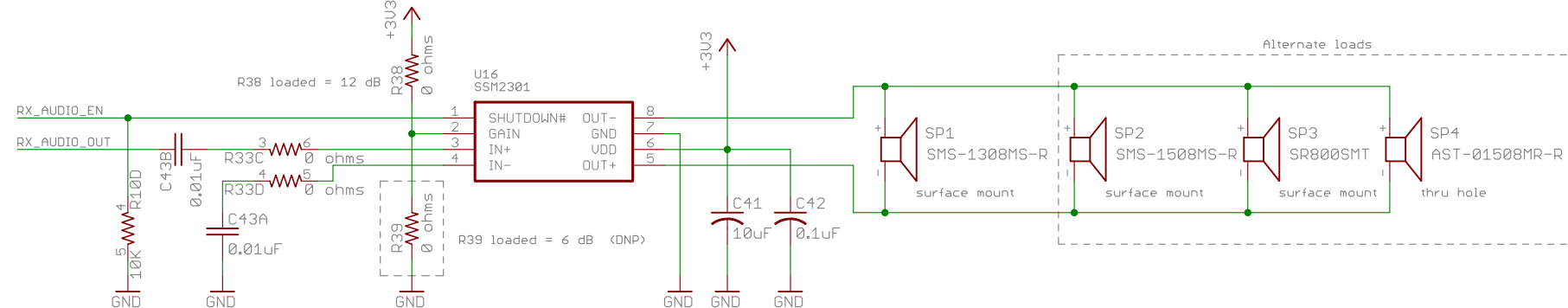
### Battery Measurement



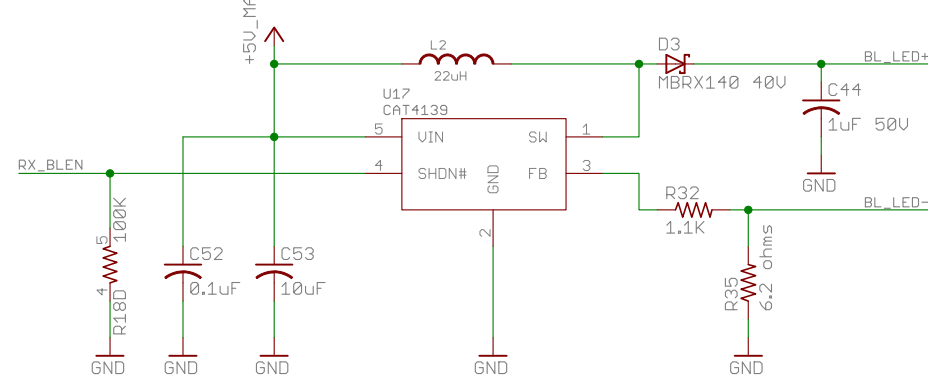
### +3.3V Voltage Regulator



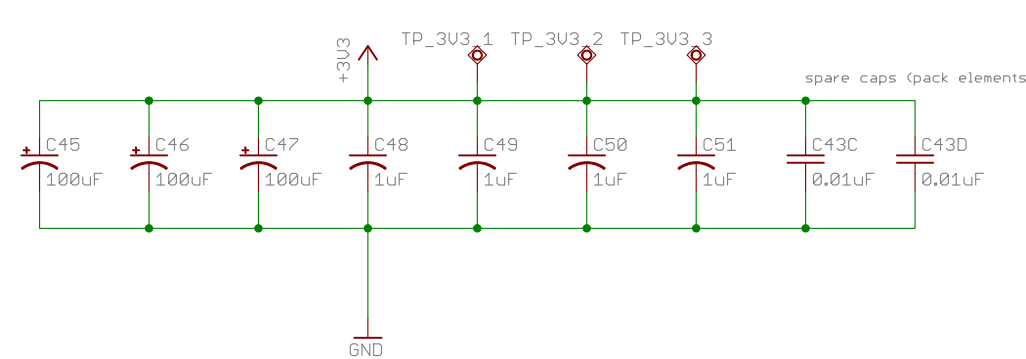
### Audio Amplifier



### Backlight Power Section

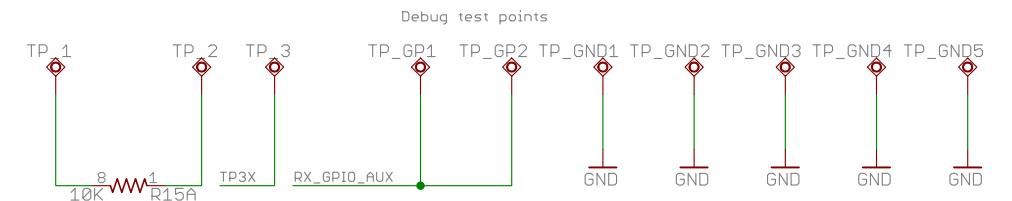


### Bulk Caps

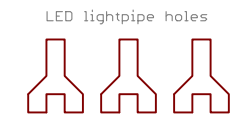


spare resistors (rpack elements)

- R8D 100K
- R9D 2.2K
- R17D 100K
- R22D 470
- R24C 1.5K
- R24D 1.5K
- R33A 0 ohms
- R33B 0 ohms
- R34A 100K



- OL1 SIM205 OUTLINE COMPONENT VIEW
- OL2 Tianma TM043NBH02
- QR1 SIM205 QRCODE
- L01 LOGO\_SERIOUS\_5MM
- L02 LOGO\_SERIOUS\_3MM
- L03 LOGO\_RENASASRX\_8MM
- L04 LOGO\_RECYCLING\_4MM
- L05 LOGO\_ROHS\_5MM



**Serious Integrated Module SIM205**  
 Power, audio, backlight and symbols  
 TITLE: SIM205\_v1.4 REV: v1.4  
**Serious** (c) Serious Integrated, Inc  
 Date: 11/10/2011 2:21:13 PM Sheet: 4/4