

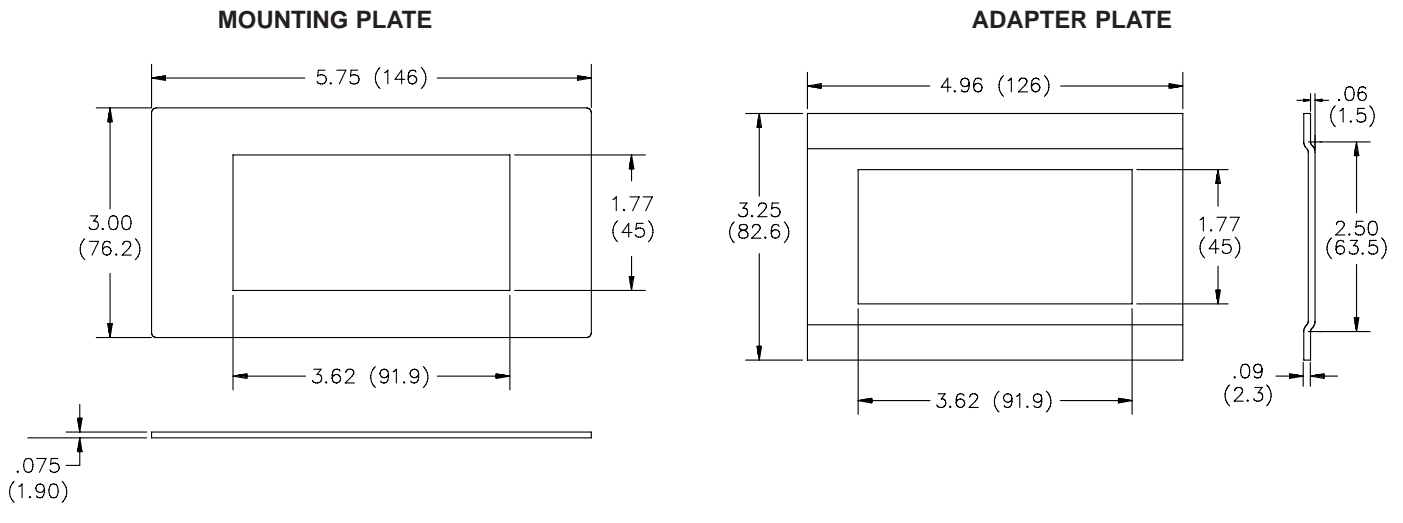
MODEL PMK8 - PANEL MOUNT ADAPTER KIT FOR PAX TO GEMINI CUT-OUT

The **PMK8** panel mount adapter kit is used to mount a PAX meter into an existing GEMINI panel cut-out. The kit includes two durable steel mounting plates painted black and a neoprene gasket. The Adapter Kit, when used with a meter which has NEMA 4/IP65 specifications, will meet NEMA 4/IP65 requirements when properly installed.

ORDERING INFORMATION

MODEL NO.	DESCRIPTION	PART NUMBER
PMK8	Panel Mount Adapter Kit (PAX to Gemini)	PMK80000

PMK8 DIMENSIONS In inches (mm)



PMK8 INSTALLATION

1. Apply the panel gasket (*provided with the meter*) over the PAX meter.
2. Insert the PAX meter through the mounting plate.
3. Apply the panel gasket (*provided with the adapter kit*) over the PAX meter behind the mounting plate.
4. Insert the PAX meter with mounting plate and gaskets into the front of the existing Gemini hole cut-out. Slide the adapter plate over the rear of the PAX meter.
5. Slide the panel latch (*provided with the meter*) over the rear of the PAX meter and tighten the screws.

