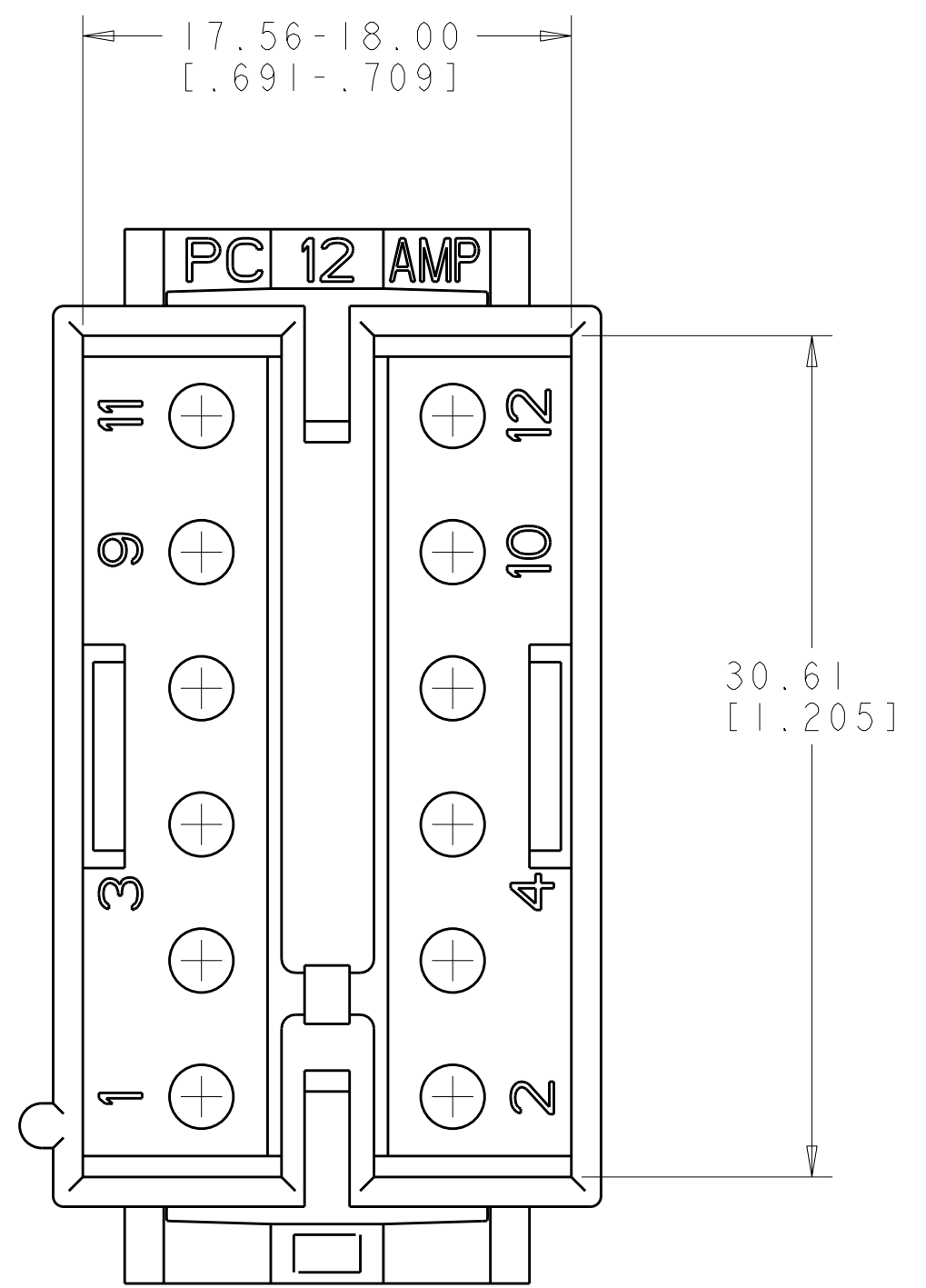
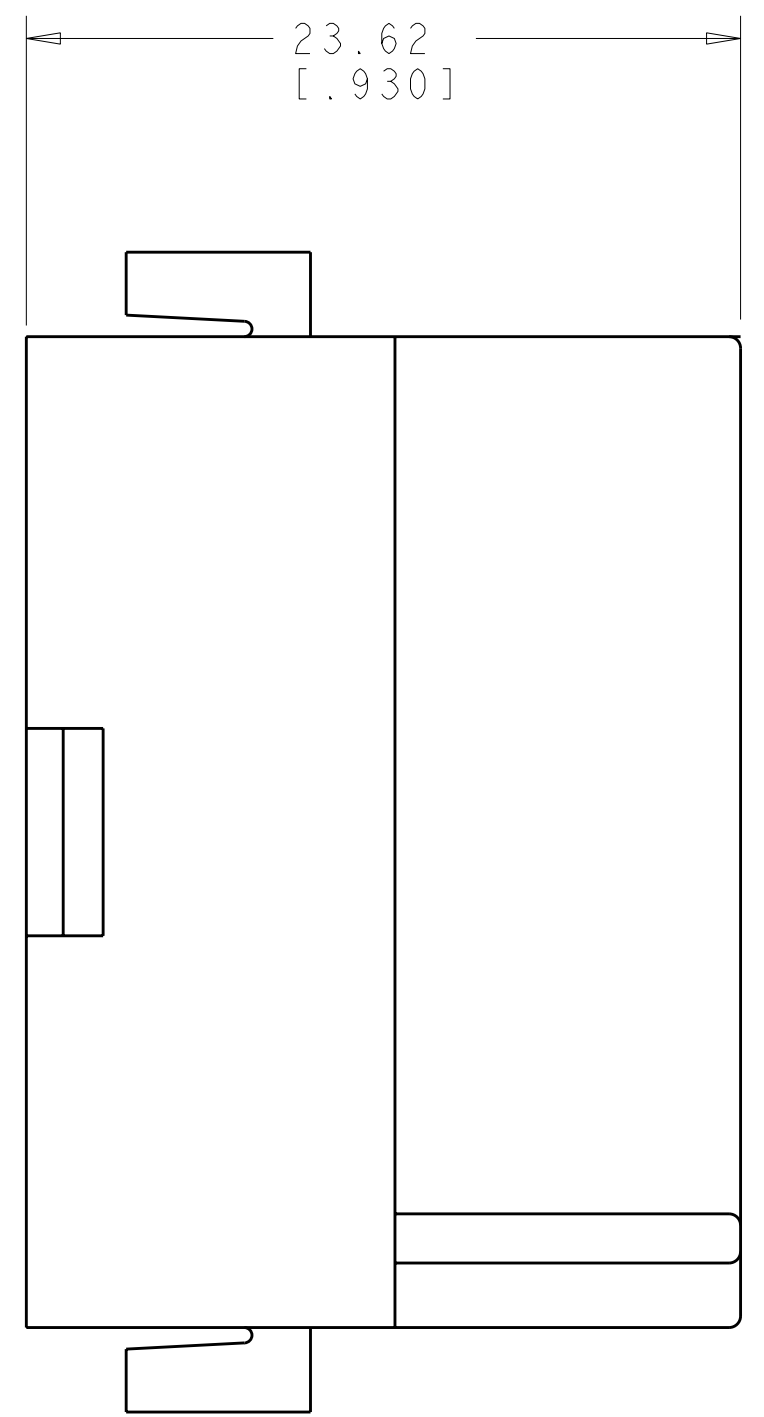
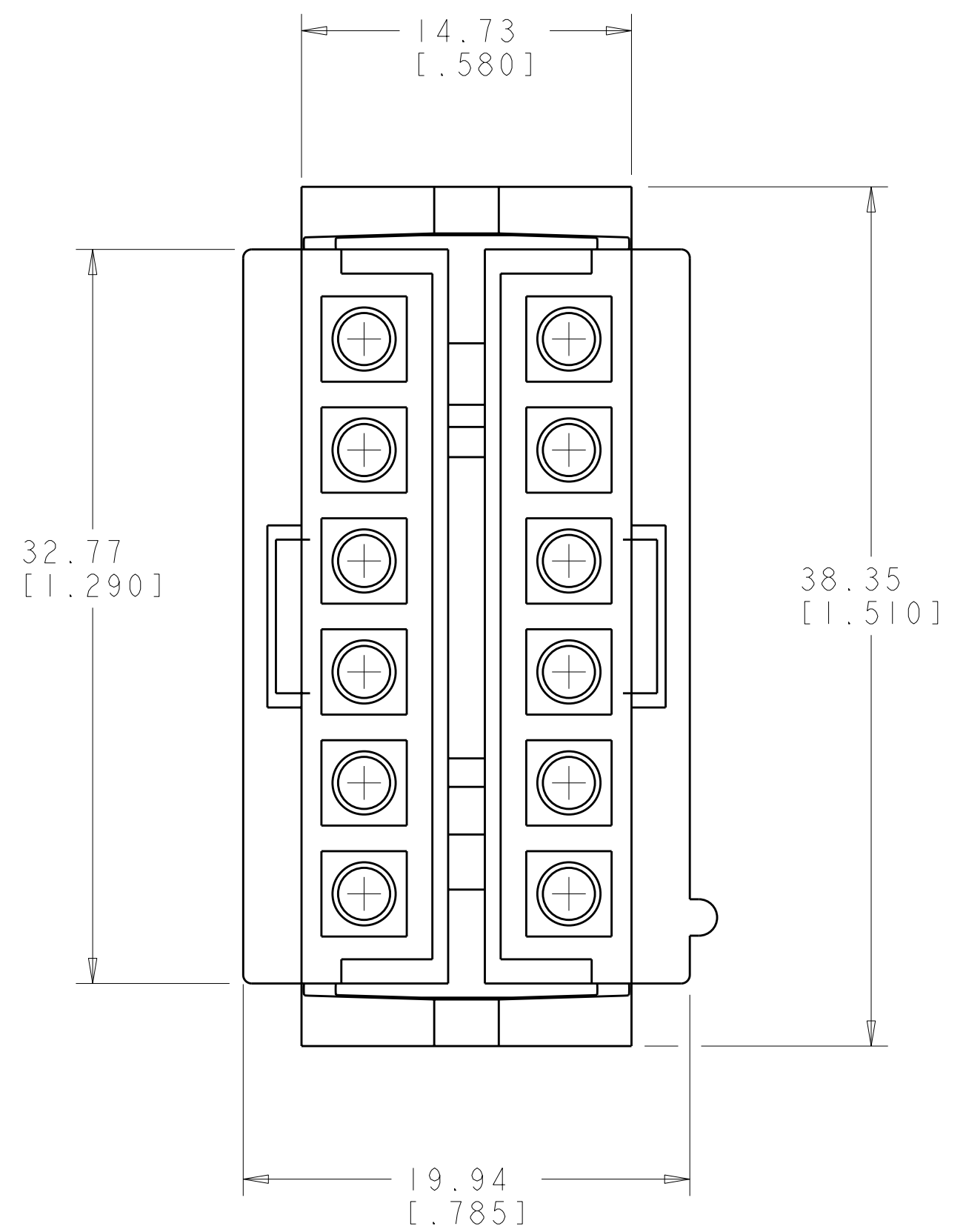
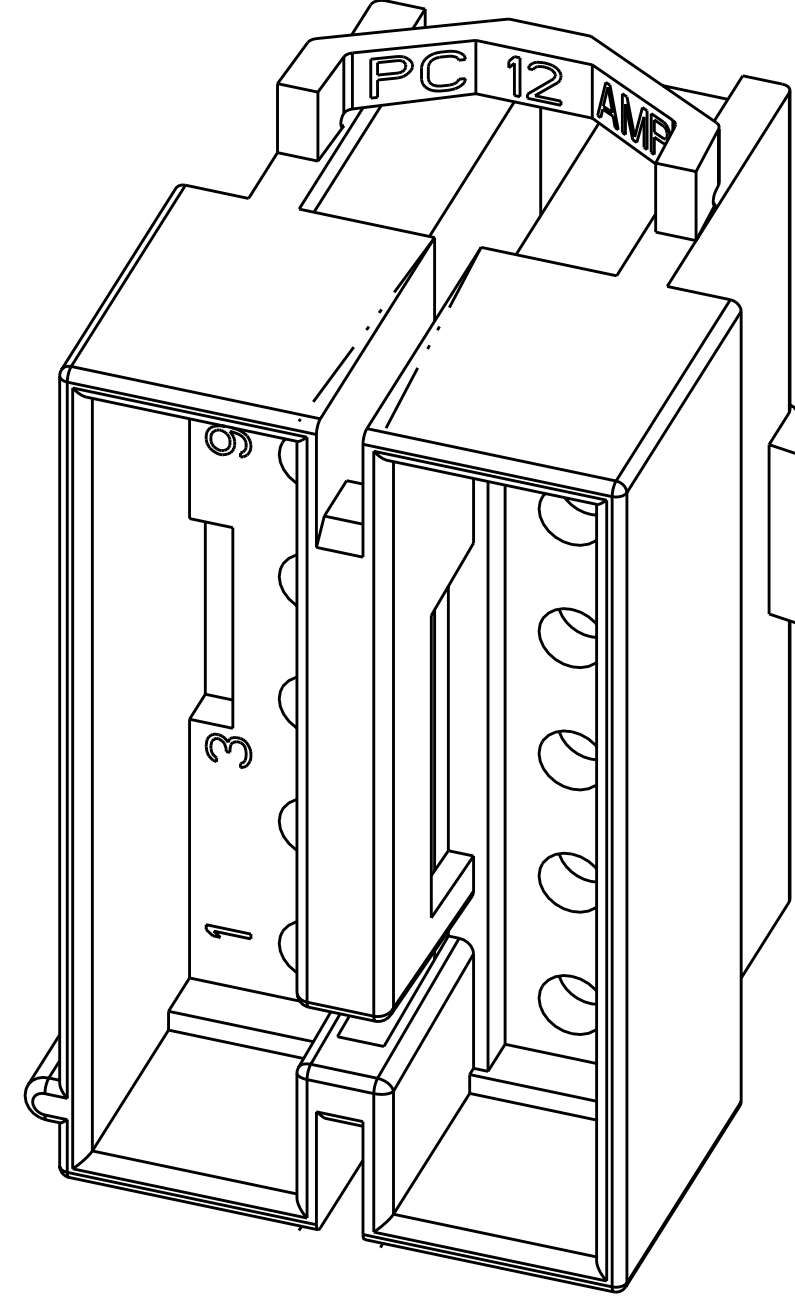
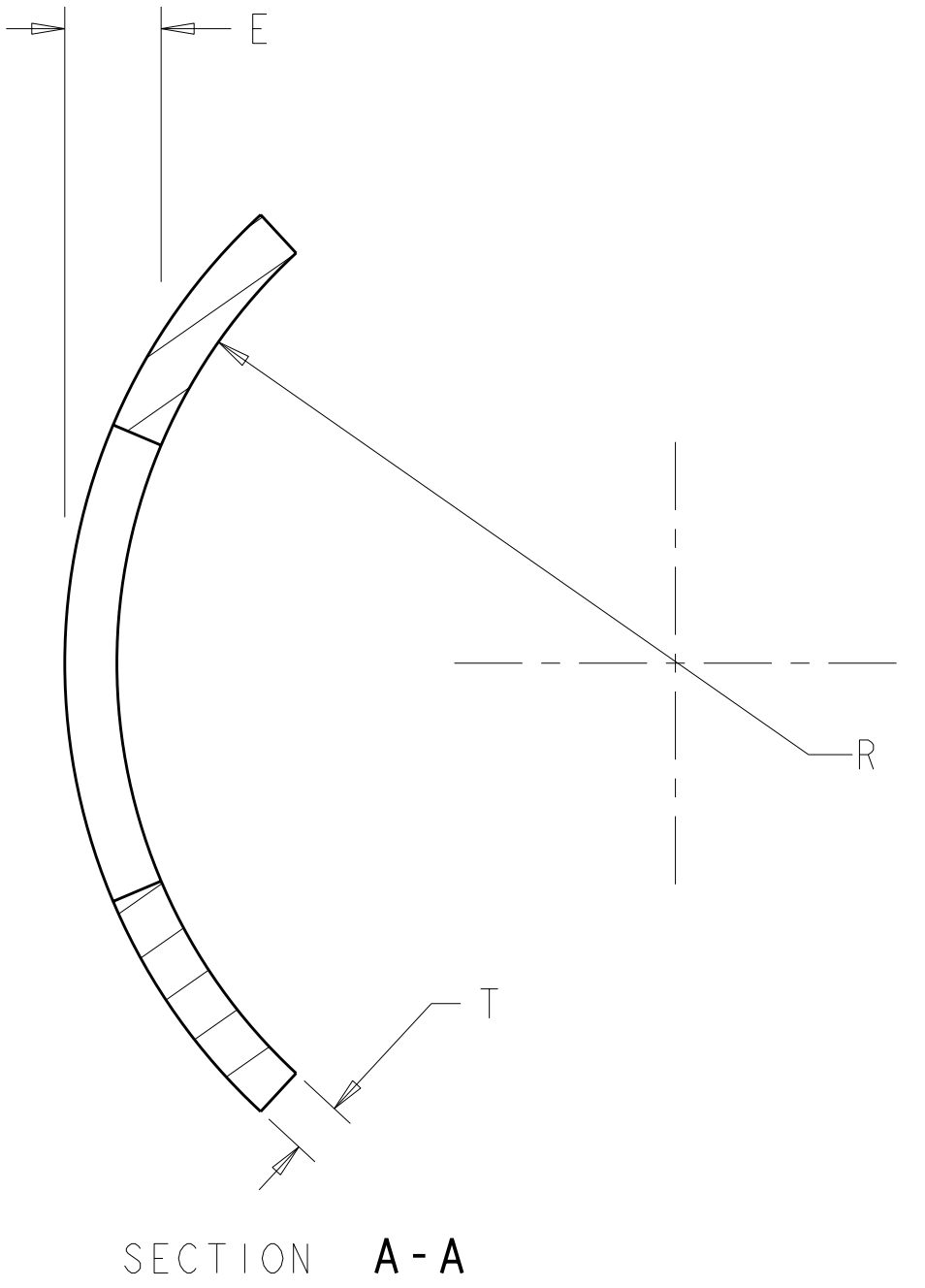
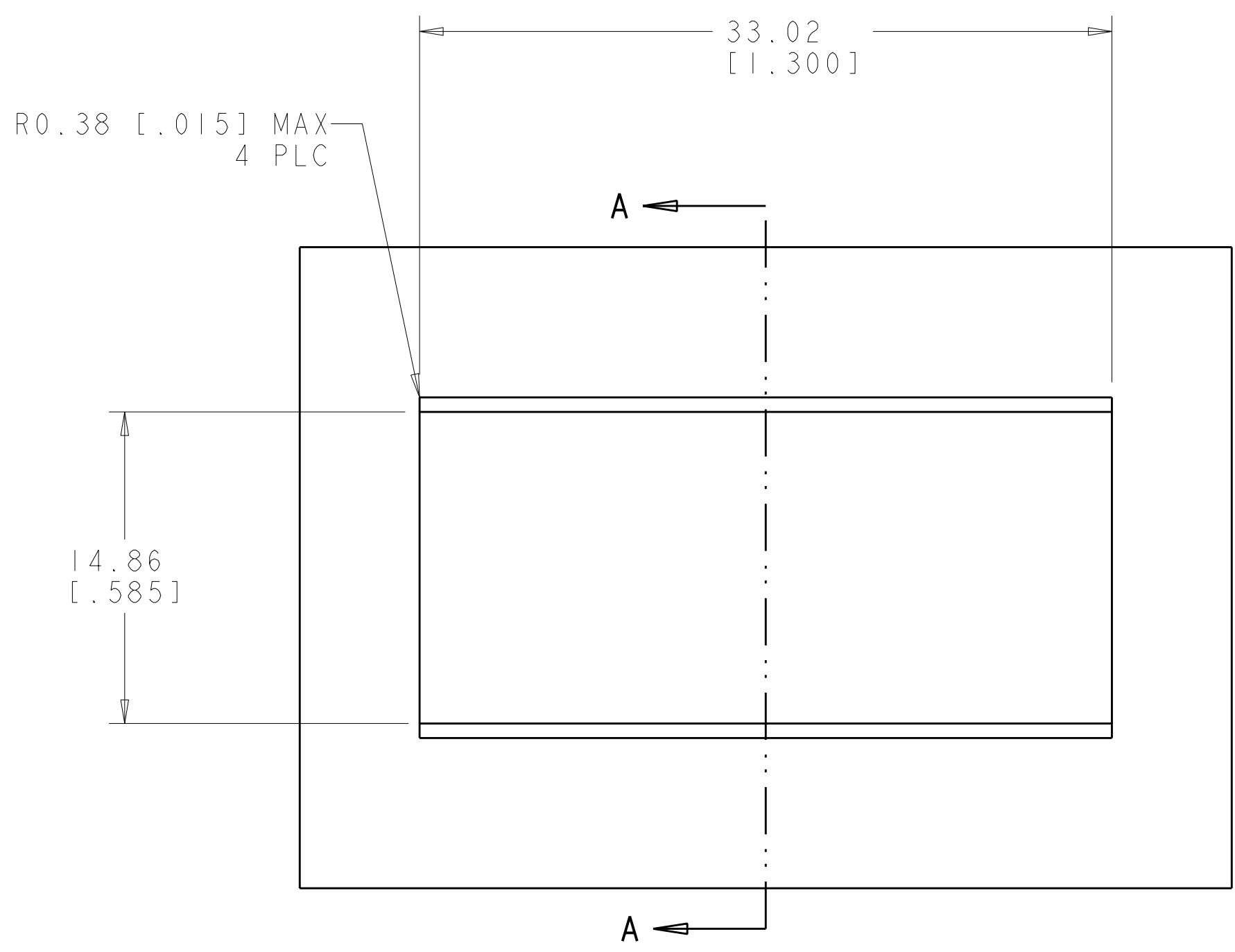
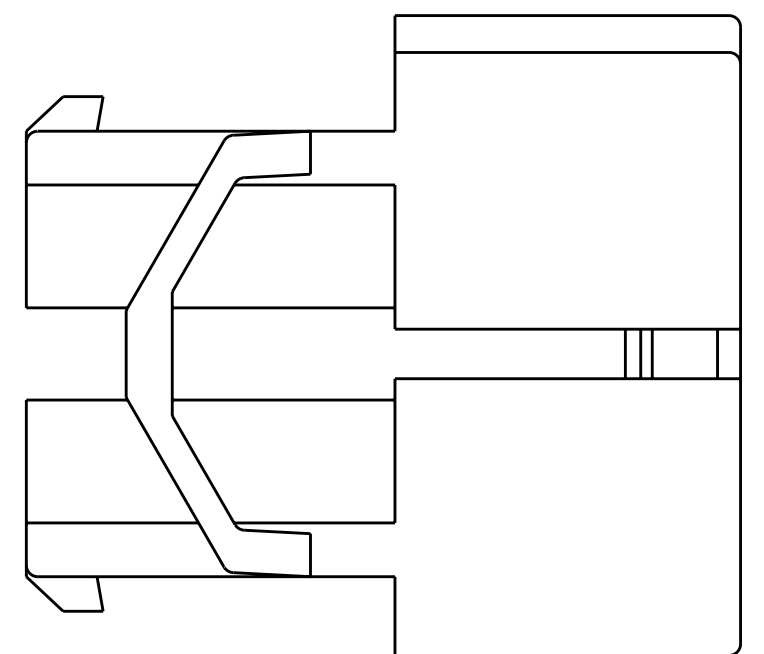


LOC	DIST	REV	DATE	DWN	APVD
CM	00	F	ECO-07-030154	20DEC2007	KW CC



1. TO BE USED WITH COMMERCIAL MATE-N-LOK™ PINS.
2. TO BE USED WITH PLUG 480287.
3. RECOMMENDED PANEL THICKNESS "E" IS 1.02-2.54 [1.040-.100] AND IS DEPENDENT ON "T" AND "R".
4. HOUSING MUST BE INSERTED IN A ROCKING MANNER.
5. THE PANEL MUST BE PUNCHED SO THAT THE HOUSING ENTERS THE PANEL IN THE SAME DIRECTION AS THE PUNCH.
6. PANEL MUST NOT HAVE ANY MATERIAL (PAINT, PORCELAIN, ETC.) APPLIED IN THE MOUNTING HOLE AREA THAT WOULD DECREASE RETENTION OF THE HOUSING IN THE PANEL.



RECOMMENDED CUT OUT

0.329 IN ³	1-480288-0
VOLUME	PART NUMBER

METRIC

DIMENSIONS: mm [INCHES] TOLERANCES UNLESS OTHERWISE SPECIFIED: 9 PLC ± 1 PLC ±0.13 [1.005] 5 PLC ± 4 PLC ± ANGLES ±40° 30' FINISH -		DWN R. WHITAKER 20DEC2007 CHK C. CASH 20DEC2007 APVD C. CASH 20DEC2007 PRODUCT SPEC APPLICATION SPEC WEIGHT CUSTOMER DRAWING	Tyco Electronics Harrisburg, PA 17105-3608 NAME CAP, 12 CIRCUIT, MOTOR MOUNT, COMMERCIAL MATE-N-LOK (TM) SIZE CAGE CODE DRAWING NO RESTRICTED TO A1100779C=480288 SCALE 4:1 SHEET 1 OF 1 REV F
--	--	--	--