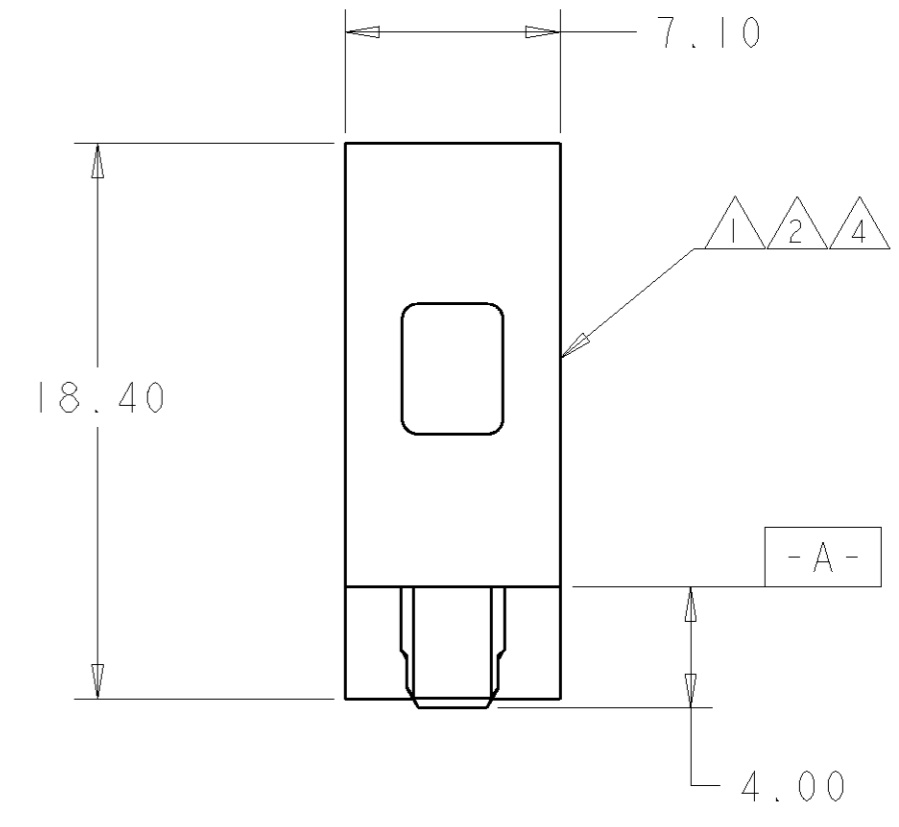
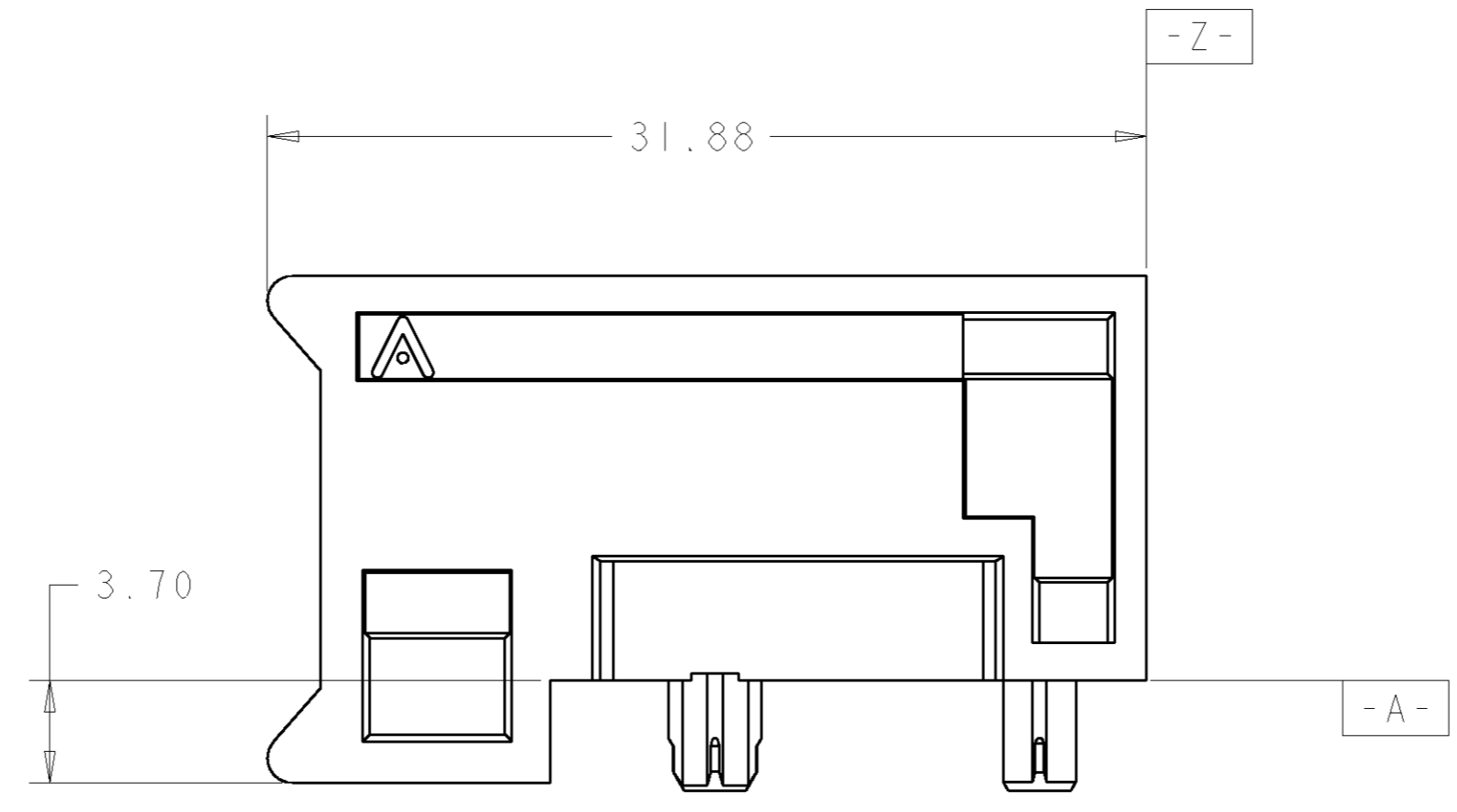
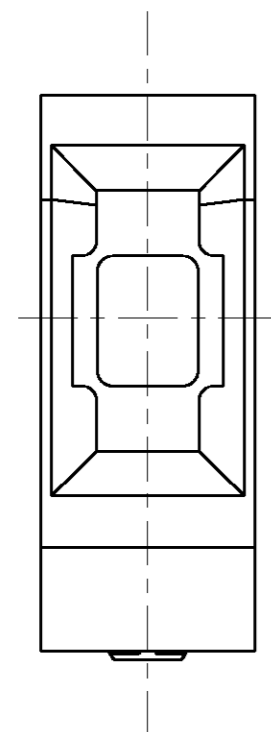
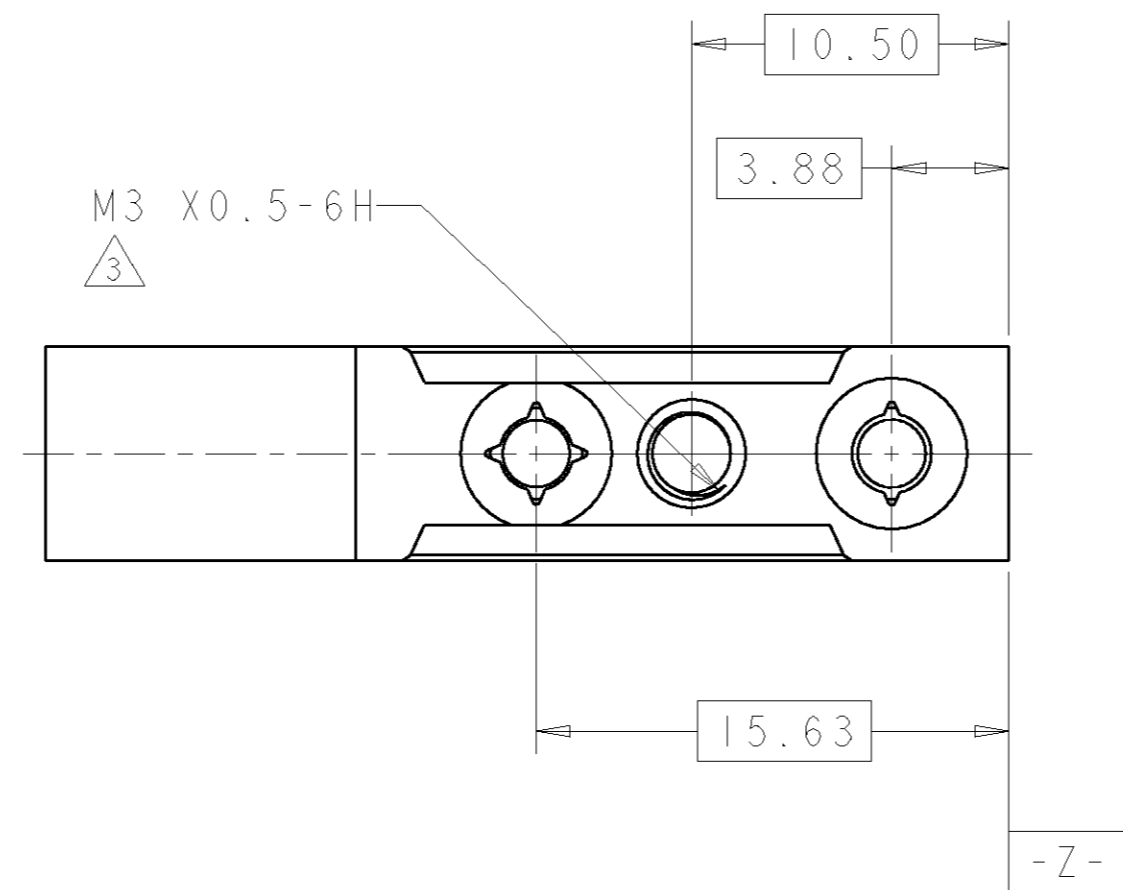


THIS DRAWING IS UNPUBLISHED. RELEASED FOR PUBLICATION 20  
 © COPYRIGHT 20 BY TYCO ELECTRONICS CORPORATION. ALL RIGHTS RESERVED.

LOC	DIST	REVISIONS					
CG	00	P	LTR	DESCRIPTION	DATE	DWN	APVD
		A		REV PER ECO-06-008747	18APR2006	BC	GG
		B		REV PER ECO-06-025222	27OCT2006	BC	GG



SCALE 4:1



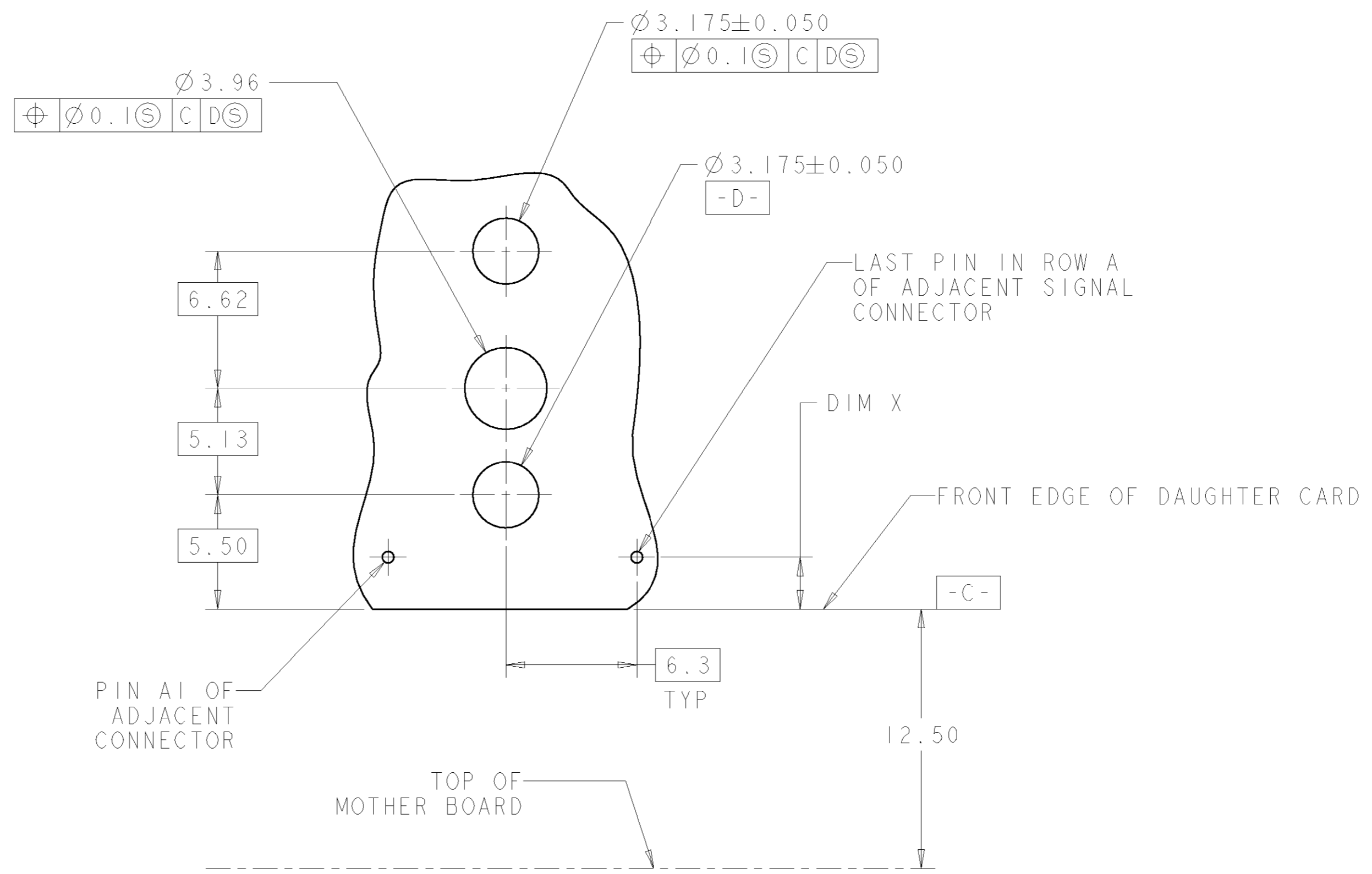
- ① MATERIAL:  
HOUSING: ZINC ALLOY
- ② FINISH:  
HOUSING: HEXAVALENT CHROMATE CONVERSION.
- ③ HOLE FOR POSITIVE RETENTION SCREW.
- ④ FINISH:  
HOUSING: TRIVALENT CHROMIUM CONVERSION COATING.

④	1410714-3
②	1410714-2
FINISH	PART NUMBER

THIS DRAWING IS A CONTROLLED DOCUMENT FOR TYCO ELECTRONICS CORPORATION IT IS SUBJECT TO CHANGE AND THE CONTROLLING ENGINEERING ORGANIZATION SHOULD BE CONTACTED FOR THE LATEST REVISION.		DWN E. MORANA 22JUL2002	Tyco Electronics Harrisburg, PA 17105-3608	
DIMENSIONS: mm		CHK - 22JUL2002	NAME 7.2MM GUIDE MODULE DAUGHTER CARD ROLLING THUNDER	
TOLERANCES UNLESS OTHERWISE SPECIFIED: 0 PLC ± 1 PLC ±0.5 2 PLC ±0.13 3 PLC ±.05 4 PLC ±.0001 ANGLES ±1		APVD - 22JUL2002	RESTRICTED TO -	
MATERIAL -		PRODUCT SPEC -	SIZE A2	CAGE CODE 00779
		APPLICATION SPEC -	DRAWING NO 1410714	REV B
		WEIGHT -	SCALE 5:1 SHEET 1 OF 2	
		CUSTOMER DRAWING		

THIS DRAWING IS UNPUBLISHED. RELEASED FOR PUBLICATION 20  
 © COPYRIGHT 20 BY TYCO ELECTRONICS CORPORATION. ALL RIGHTS RESERVED.

LOC	DIST	REVISIONS					
CG	00	P	LTR	DESCRIPTION	DATE	DWN	APVD
		-		SEE SHEET 1	-	-	-



PCB LAYOUT  
CONNECTOR SIDE  
SCALE 5:1

DIM X	2.5	2.25
	TIER 1	TIER 2

THIS DRAWING IS A CONTROLLED DOCUMENT FOR TYCO ELECTRONICS CORPORATION. IT IS SUBJECT TO CHANGE AND THE CONTROLLING ENGINEERING ORGANIZATION SHOULD BE CONTACTED FOR THE LATEST REVISION.		DWN E. MORANA 22JUL2002	Tyco Electronics Harrisburg, PA 17105-3608	
DIMENSIONS: mm		CHK - 22JUL2002		
TOLERANCES UNLESS OTHERWISE SPECIFIED: 0 PLC ± 1 PLC ±0.5 2 PLC ±0.13 3 PLC ±.05 4 PLC ±.0001 ANGLES ±1		APVD - 22JUL2002	NAME 7.2MM GUIDE MODULE DAUGHTER CARD ROLLING THUNDER	
MATERIAL -		PRODUCT SPEC -	SIZE A2	
		APPLICATION SPEC -	CAGE CODE 00779	
		WEIGHT -	DRAWING NO. 1410714	
		CUSTOMER DRAWING	RESTRICTED TO -	
		SCALE 5:1	SHEET 2 OF 2	
			REV B	