

PRODUCT NUMBER	PITCH
H5xx30x000J0G	3.81 mm

Dimension

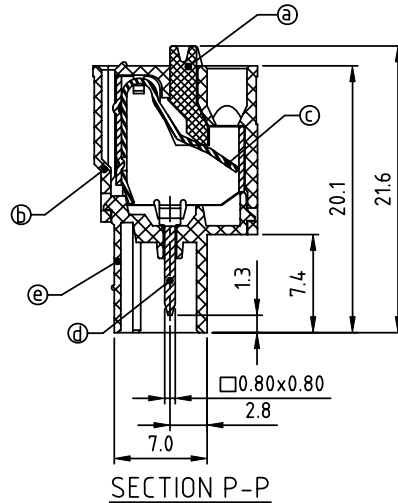
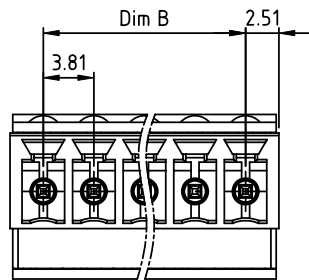
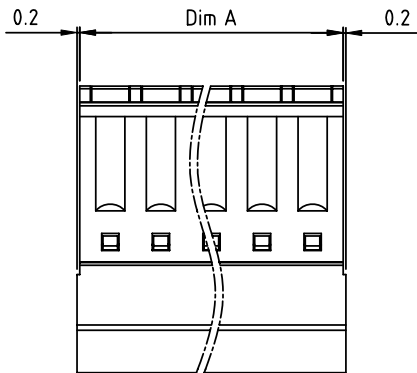
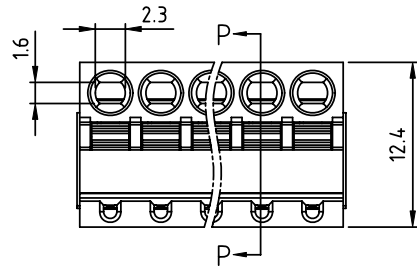
DIM A	$N \times 3.81 + 0.8$
DIM B	$(N-1) \times 3.81$

N=Number of poles

POLES	Tolerance
2p-6p	± 0.10
7p-12p	± 0.15
13p-18p	± 0.20
19p-24p	± 0.30

PART NO.: H5 xx 3 0 x 0 00J0 G

Solid block	0	Color	0	Black (RAL9005)	RoHS compliant
No. of poles	2		2	Red (RAL3001/D)	(lead<4%)
02 2 poles	3		3	Orange(RAL2011/P)	In copper Alloy
03 3 poles	4		4	Yellow(RAL1018/A)	
...	5		5	Green(RAL6018/T)	
24 24 poles	6		6	Blue (RAL5015/A)	
	8		8	Grey(RAL7035/D)	
	9		9	White(RAL1102)	
	C		C	Green(RAL6018/U)	



Material:

- Itemⓐ Terminal lever: Thermoplastic (UL94V-0) Orange (RAL2001/P)
- Itemⓑ Top body: Thermoplastic (UL94V-0)
- Itemⓒ Spring clamp: Stainless steel
- Itemⓓ Male contact pin: Phbz.Tin plated
- Itemⓔ Bottom body: Thermoplastic (UL94V-0)

Electrical:

- Voltage rating: 300V
- Current rating: 4A
- Wire range:
- Solid wire(AWG): 16-28
- Stranded wire(AWG): 16-28
- Wire strip length: 9-10 mm
- Withstanding Voltage: 1.6 KV
- Operating temperature: -40°C to +115°C
- Safety Approval: cULus

mat'l. code		surface ASME Y14.5	tolerance ASME Y14.5	projection	product family TERMINAL BLOCK	
ltr ecn no dr date		tolerances unless otherwise specified			title	
		angles	X.±0.5	MM	TERMINAL BLOCK	
		X°±1'	X.X±0.3	scale	SPRING CLAMP, PLUGGABLE PLUG	
			X.XX±0.1		MALE CONNECTOR	
		dr	EVIN ZHONG 051614		sheet 1 of 1 size	
		enr	EVIN ZHONG 051614		H5xx30x000J0G A4	
		chr	HANKE FENG 051614		type CUSTOMER Drawing	
		appd	SHI JUN 051614			
sheet index	revision sheet	A	1			