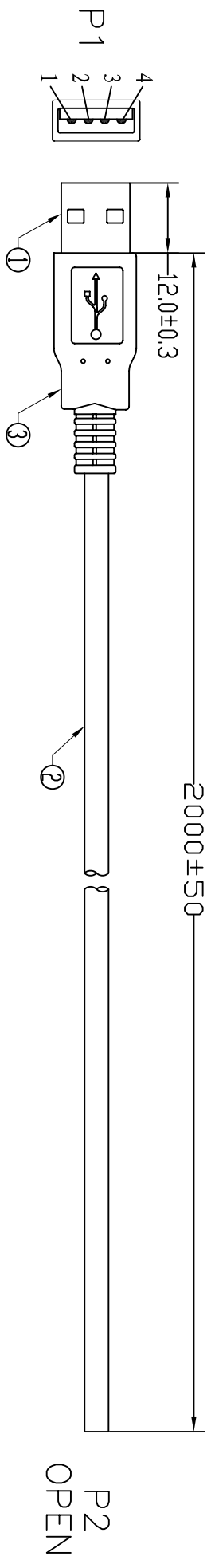
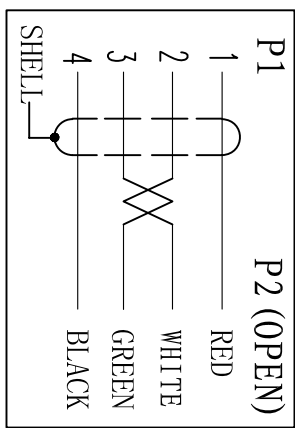


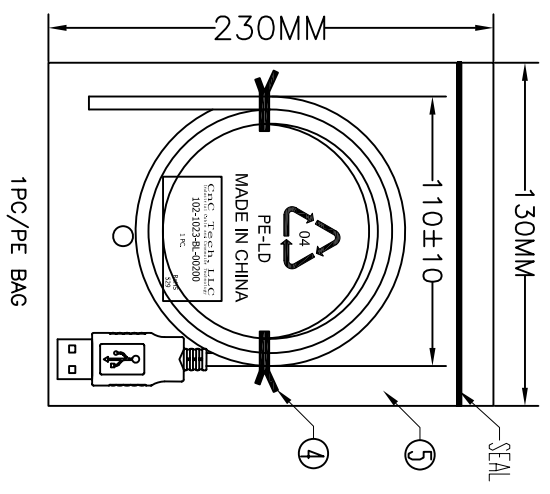
UNIT:mm



PIN ASSIGNMENT:



Electrical test:
 1. 100% short, open, miswire test
 2. Conduct resistance: $2\ \Omega/m(max)$
 3. Insulation resistance: $5M\Omega/m(min)$
 4. dielectric test: DC 300V



⑥	PE BAG	1/10	CLEAR SIZE: 280*330*0.05mm	PRINT BLACK	MADE IN CHINA	"10PCS"印生产周期,有透气孔.
⑤	PE BAG	1	CLEAR SIZE: 130*230*0.05mm	PRINT BLACK	MADE IN CHINA	"1PC"印生产周期,有透气孔.
④	TIE	2	BLACK L=100mm			
③	OUT JACKET	6g	BLACK PVC-45P (MOULD NO.: WM-40)			
②	CABLE	1	BLACK USB2.0 UL2725 28#/1P+26#/2C+ABR	OD: 4.7mm	L=2000±10	
①	CONN	1	USB A MALE NICKEL PIN G/F 4PCS TYPE			
NO.	NAME	Q'TY	SPECIFICATION			

CNC Tech, LLC						
Industrial Cable and Connector Technology						
DRAWN	ZHONGHS	DRAWING NO				
CHECKED		CUSTOMER				
APPROVAL		ITEM NO.	102-1023-BL-00200			
DECIDED		DATE	2012-02-14			
VERSIONS/EDITION	A/0	PROJECTION				