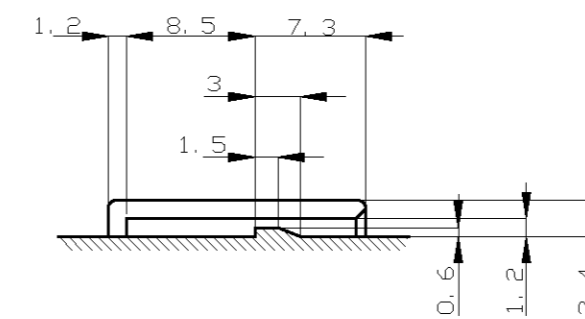
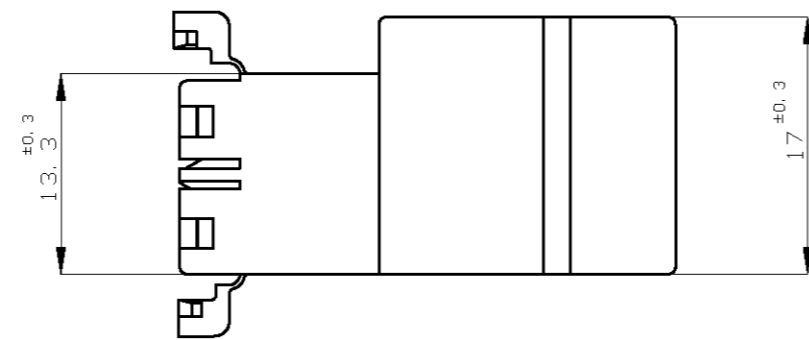
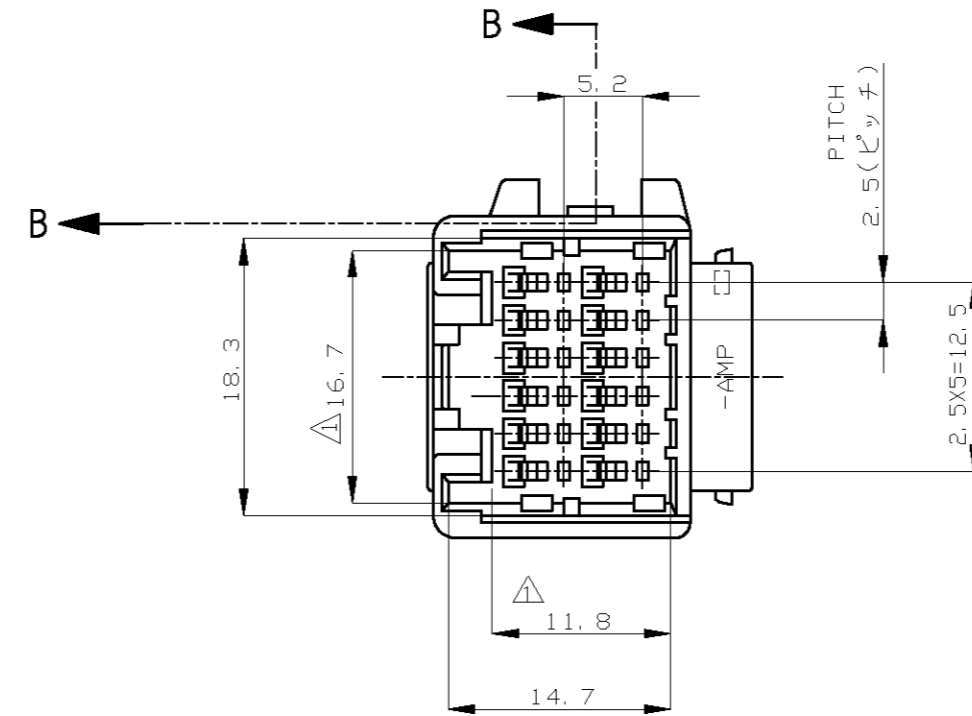
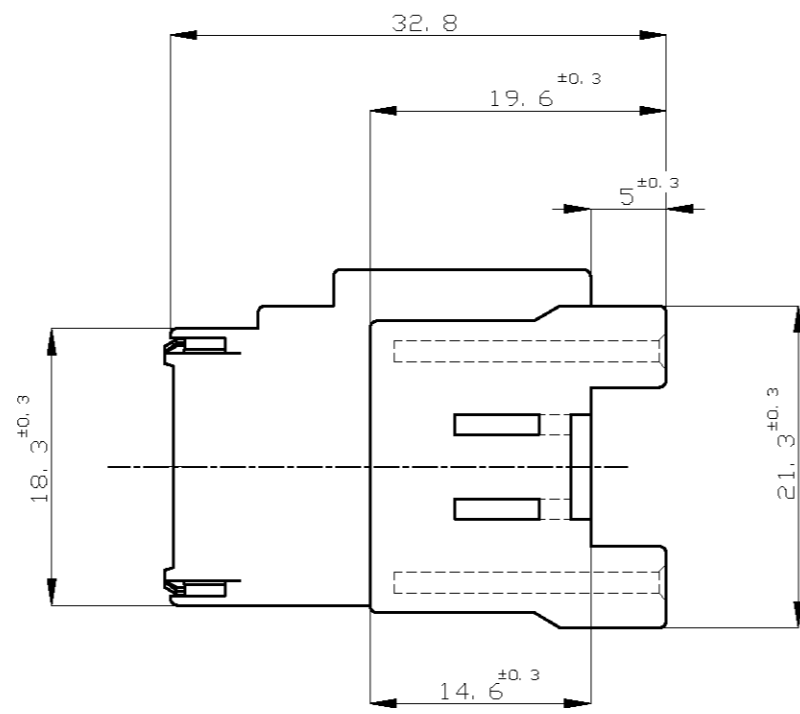
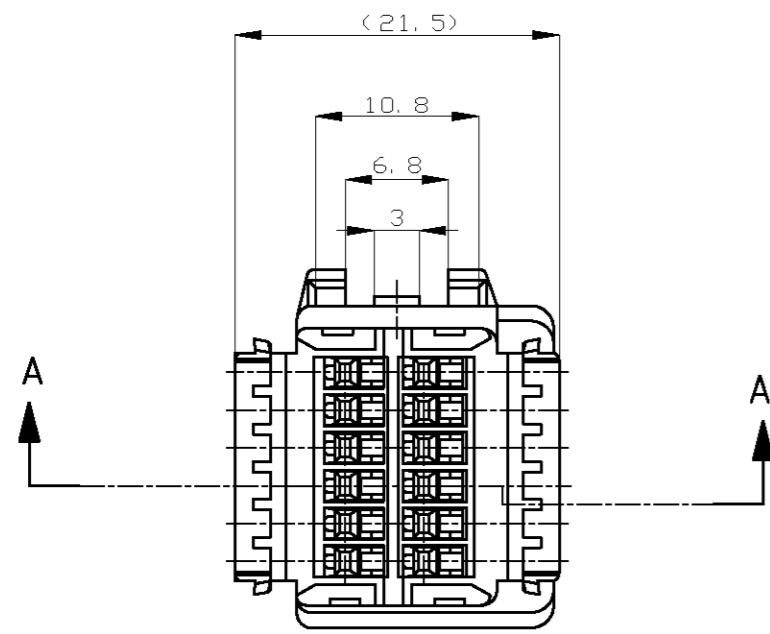
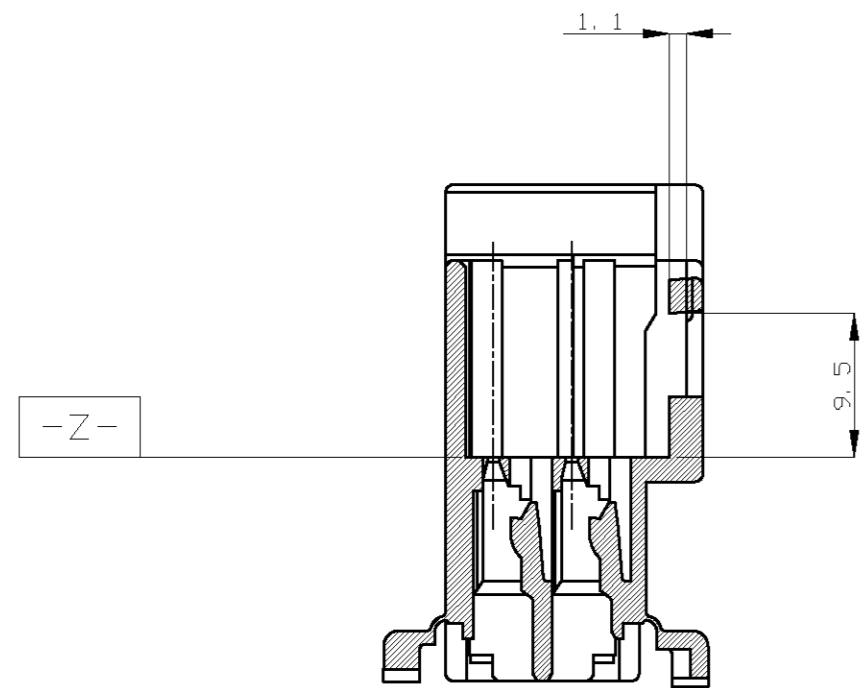


THIS DRAWING IS UNPUBLISHED. RELEASED FOR PUBLICATION
 © COPYRIGHT - By - ALL RIGHTS RESERVED.

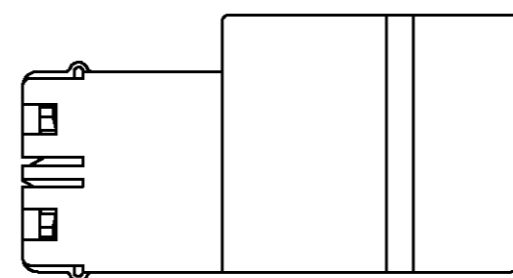
LOC		DIST		REVISIONS			
P	LTR	DESCRIPTION		DATE	DWN	APVD	
	A3	REVISED		11MAR2013	TS	KB	
				ECR-13-002015			



B-B



A-A



二重ロック時
DOUBLE LOCKED

- 1. TO BE MEASURED WITHIN 2mm FROM -Z-
- 2. APPLICABLE TERMINAL NO. 173682
- 3. THE MATING PLUG HOUSING NUMBER: 174045

- 1. -Z- 面から2mmの範囲で測定
- 2. 適用端子型番: 173682
- 3. 嵌合相手ハウジング型番: 174045

青 (BLUE)	174058-5
緑 (GREEN)	174058-4
黒 (BLACK)	174058-2
色 (COLOR)	製品型番 (PART NO.)

TOLERANCE UNLESS OTHERWISE SPECIFIED:
一般公差

0 < x ≤ 10	: ±0.2
10 < x ≤ 30	: ±0.25
30 < x ≤ 100	: ±0.3
ANGLE	: ±3°

THIS DRAWING IS A CONTROLLED DOCUMENT.

DWN	M.SUGAWARA	04AUG06
CHK	K.BETSUI	04AUG06
APVD	K.BETSUI	04AUG06
PRODUCT SPEC	製品規格	108-5352
APPLICATION SPEC	取付適用規格	-

MATERIAL: PBT FINISH: 仕上 SEE TABLE

WEIGHT: -

CUSTOMER DRAWING

SCALE: 2:1 SHEET: 1 of 1 REV: A3

12POSITION CAP HOUSING
040SERIES MULTI-LOCK CONNECTOR

SIZE: A2 CAGE CODE: 00779 DRAWING NO: 174058