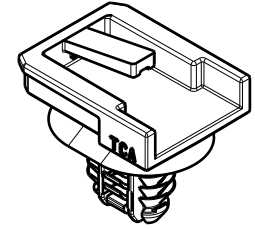


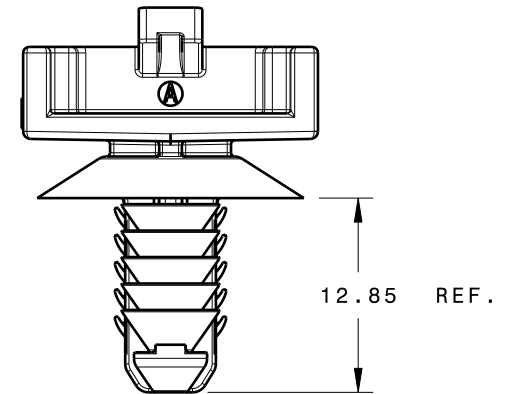
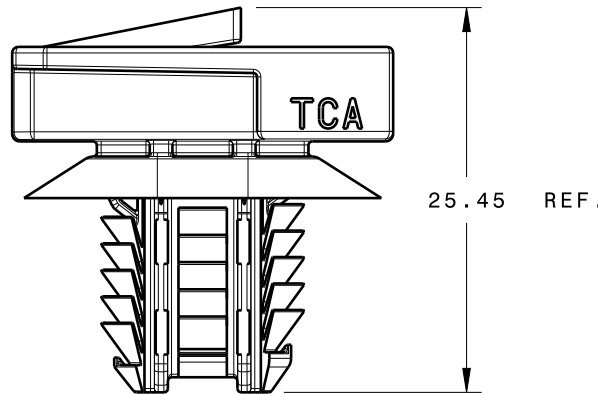
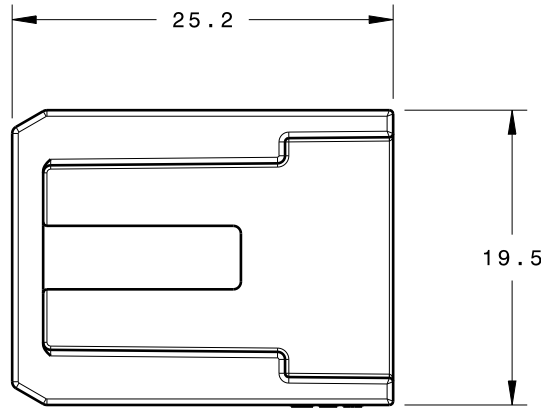
REFERENCE:

PERFORMANCE REQUIREMENTS AT DRY AS MOLDED:

1. FIR TREE PUSH IN FORCE: REF. 10 LBS MAX IN EACH APPLICABLE OVAL HOLE SIZE AND A PLATE THICKNESS OF 1.8mm
2. FIR TREE PULL OUT FORCE: REF. 25 LBS MIN IN EACH APPLICABLE OVAL HOLE SIZE AND A PLATE THICKNESS OF 1.8mm
3. SHEET METAL THICKNESS RANGE: 0.60mm - 6.0mm
4. APPLICABLE OVAL HOLE SIZES:
 - A. 6.2 X 12.2mm
 - B. 6.5 x 12.5mm
 - C. 6.5 x 13.0mm
 - D. 7.0 x 12.0mm
5. MEETS USCAR CLIP SLOT SPECIFICATION EWCAP-005-23



Isometric view
Scale: 1:1



INVENTORS

HellermannTyton®

ALL PROPRIETARY RIGHTS IN THE SUBJECT MATTER SHOWN ON THIS DRAWING ARE EXCLUSIVE PROPERTY OF HELLERMANN TYTON

name	date	city, state
S. ADAMS	10/12/11	MENOMONEE FALLS, WI.

REVISIONS

level	01
by	SJA
date	10/9/12
ECN #	012193
part level	A

DIMENSIONS

TOLEPRANCSSES	.XXXX = ± 0.25
	.XXX = ± 0.50
	.XX = ± 1.00
	.X = ± 2.00
	∠ = ± 1.00
	unless otherwise specified
units	millimeters

PART

number	CCOVAL3	phase	PRODUCTION
name			
OVAL HOLE CONNECTOR CLIP			
material			
PA66HIRHS			
COLOR: BLACK			

DRAWING

FORMAT	AH	CAD	CATIA V5	SCALE	2:1
VERSION	J				
A- SIZE (landscape)_N01		previous drawing number			
drawn	S. ADAMS	checked	KEN VAN HULST	approval	
	10/12/11		10/9/12		
type	CUSTOMER	sheet 1 of 1			
number	11-0738-001-CSU				