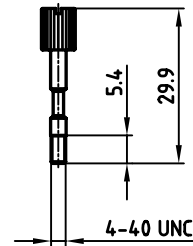
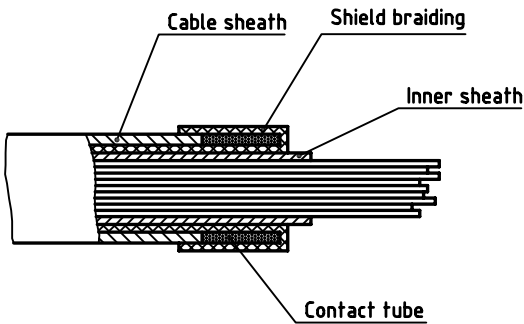
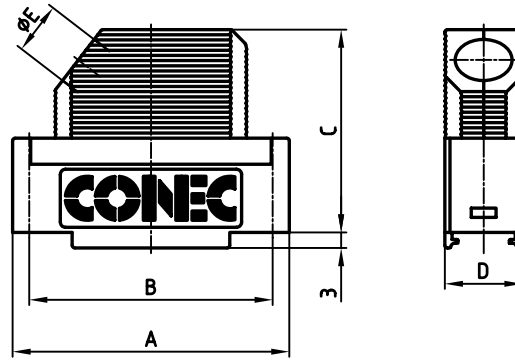
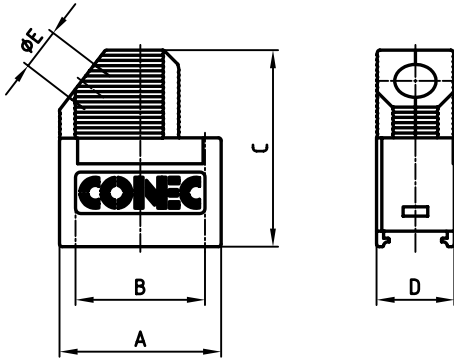


used for: D-SUB

9 way

15 - 50 way



Metal screw

No. of pos.	A	B	C	D	ØE	Part No.
9	31.30	25.0	35.15	15.0	8.0	165X00829A
15	39.62	33.3	39.15	15.0	9.0	165X00839A
25	53.52	47.0	39.15	15.0	11.0	165X00849A
37	69.80	63.5	39.15	15.0	11.0	165X00859A
50	67.41	61.1	39.15	19.0	14.5	165X00869A



NOTES:

- HOOD: PC GF 20 UL 94 V-0; BLACK
- METAL SCREW: STEEL; NICKEL PLATED
- CABLE CLAMP: Cu Ni Zn; NICKEL PLATED
- SCREW FOR CABLE CLAMP: STEEL; NICKEL PLATED

APPROVAL * FREIGABE * DEBLOCAGE * AUTORIZACION * APPROVAL

CUSTOMER APPROVAL DATE:

NAME: TITLE:

COMPANY NAME:

APPROVAL * FREIGABE * DEBLOCAGE * AUTORIZACION * APPROVAL

THIS DRAWING MAY NOT BE COPIED OR REPRODUCED IN ANY WAY, AND MAY NOT BE PASSED ON TO A THIRD PARTY, WITHOUT WRITTEN PERMISSION. OWNERSHIP AND COPYRIGHT OF CONEC GmbH DO NOT ALTER CAD DRAWING BY HAND

rev.	description	date	name
1 x b	Ä 2583	10.10.2006	Lehmen
a	Origin		

tolerance	dim. in mm
2002	date
drawn	22.05. Schmidt
appd.	22.05. E. Mickenbecker
norm	DIN 41652
d-old	

scale: 1:1

material: SEE NOTES

title: **PLASTIC HOOD**
9 - 50 pos.
unshielded version black with metal screw

dwg no: AutoCAD 2000 DIN-A 3 sh: 1/1

part no: SEE TABLE

