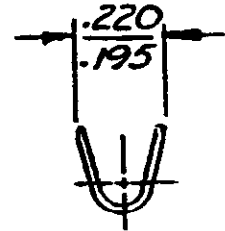
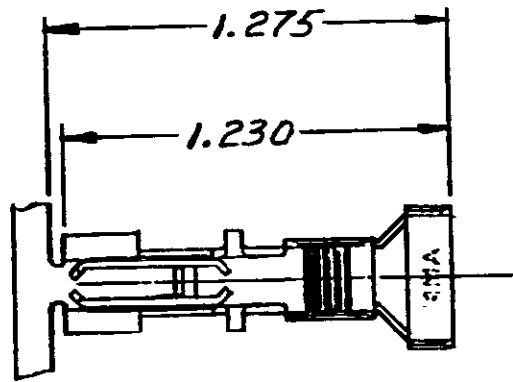


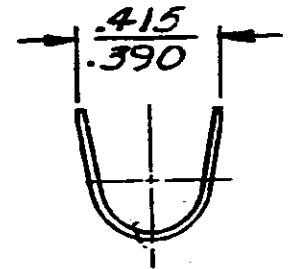
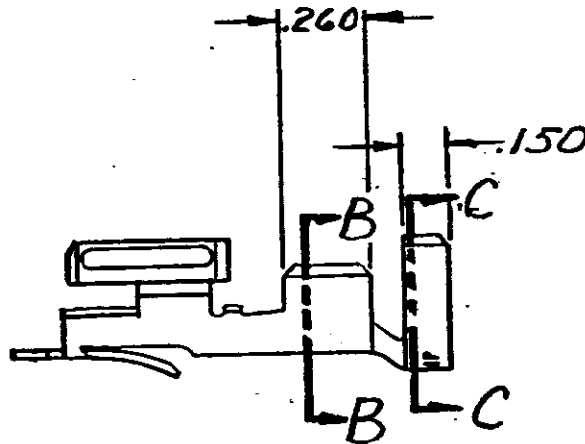
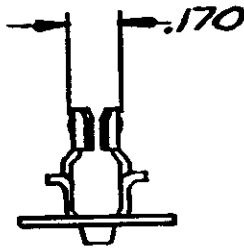
DRAWING MADE IN AMERICAN PROJECTION

197

NUMBER
350650



SECT. B-B



SECT. C-C

DIMENSIONS IN INCHES. DO NOT SCALE PRINT.

| | | | |
|-----|---------------------|---------|---------|
| H | WAS LOC CM, REVISED | S4141 | 7/28/87 |
| G1 | RESTORED | | 8/1/87 |
| G | REV. PER. ECN CMIZI | | 9/15/87 |
| F | REVISED MAKE | M-3272 | 6/16/76 |
| E | REVISED M-3484 | 6/16/76 | 8/1/75 |
| D | .170 WAS 165 | M-3443 | 10/1/75 |
| C | REVISED PER M- | 3348 | 7/1/75 |
| B | 3/4 WAS 3/4 | 3323 | 7/1/75 |
| A | REVISED PER M- | 1500 | 5-16-74 |
| LTR | REVISION RECORD | ECN | DATE |

| | |
|-----------------|----------|
| PHOSPHOR BRONZE | 350650-1 |
| MATERIAL | PART NO. |

© 1974 BY AMP INCORPORATED. ALL RIGHTS RESERVED. PRODUCTS COVERED BY PATENTS PENDING.

CUSTOMER COPY REFERENCE ONLY

| | | | | |
|--------------------------------------|-------|------------|--|-----|
| FINISH | | AMP | AMP INCORPORATED HARRISBURG, PENNA. | |
| TIN | | | CLASS | H |
| WIRE RANGE INSULATION | | TYPE | | |
| 12-BAWG .360 MAX | | H | | |
| TOLERANCE EXCEPT AS NOTED | SCALE | LCC | NO | REV |
| ± .015 ± 1" 0' | H | S | A | H |
| NAME | | NO | | |
| HERMAPHRODITIC HIGH CURRENT TERMINAL | | 350650 | | |

PRINTED
64

DR 9. Ebn... DE Thordic 5-15-74
CHK... APP. Thordic 6-5-74

CUSTOMER DRAWING