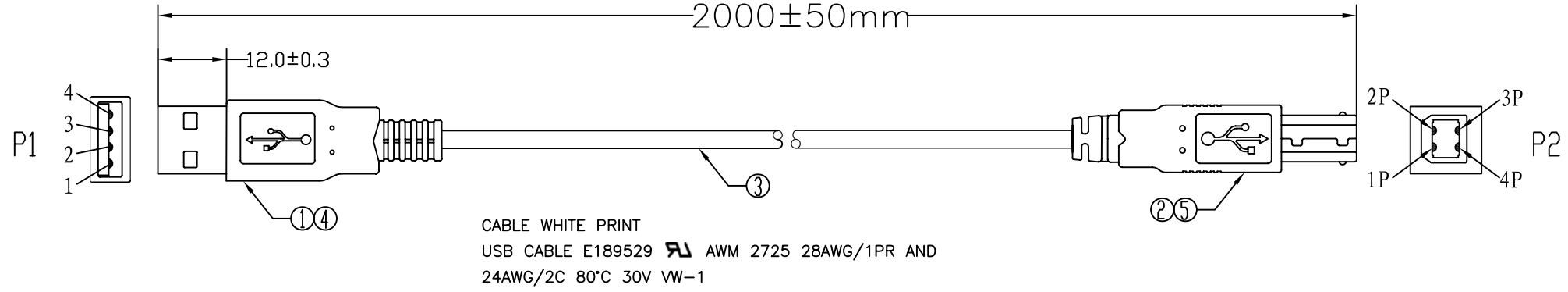


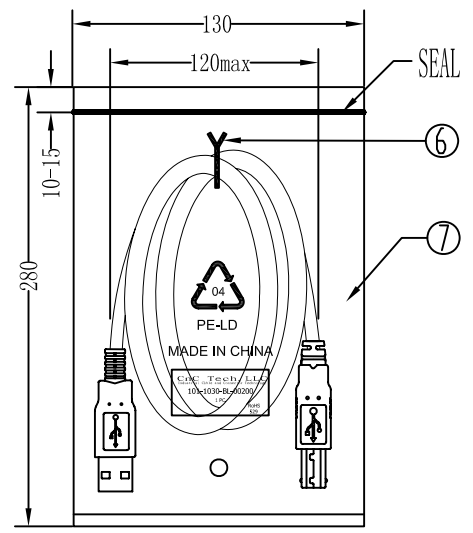
UNIT:mm



CABLE WHITE PRINT
 USB CABLE E189529 AWM 2725 28AWG/1PR AND
 24AWG/2C 80°C 30V VW-1

PIN ASSIGNMENT:

P1		P2
1	RED	1
2	WHITE	2
3	GREEN	3
4	BLACK	4
SHELL	DRAIN+BRAID	SHELL



IPC/PE BAG

Electrical test:
 1.100% short,open,miswire test
 2.Conduct resistance:2 Ohm(max)
 3.Insulation resistance:5Mohm(min)
 4.dielectric test:DC 300V

⑧	PE BAG	1/10	CLEAR SIZE:280*330*0.05mm PRINT BLACK"MADE IN CHINA"+"10PCS".
⑦	PE BAG	1	CLEAR SIZE:130*280*0.05mm PRINT BLACK"MADE IN CHINA"+"1PC"
⑥	TIE	1	BLACK L=80mm
⑤	OUT JACKET	6g	BLACK PVC-40P (MOULD NO:WM-65)
④	OUT JACKET	6g	BLACK PVC-40P (MOULD NO:WM-40)
③	CABLE	1	BLACK USB1.1 UL2725 28#/1P+24#/2C+AEB OD:4.7mm L=2000±10mm
②	CONN	1set	USB B MALE SHELL:NICKEL PIN G/F 3PCS TYPE INSULATOR COLOR:WHITE
①	CONN	1set	USB A MALE SHELL:NICKEL PIN G/F 3PCS TYPE INSULATOR COLOR:WHITE
NO.	NAME	Q'TY	SPECIFICATION

CnC Tech, LLC Industrial Cable and Connector Technology			
DRAWN	ZHONGHS	DRAWING NO	
CHECKED		CUSTOMER	
APPROVAL		ITEM NO.	101-1030-BL-00200
DECIDED		DATE	2012-02-15
VERSIONS/EDITEON	A/0	PROJECTION	

4 | | 3 | | 2 | | 1