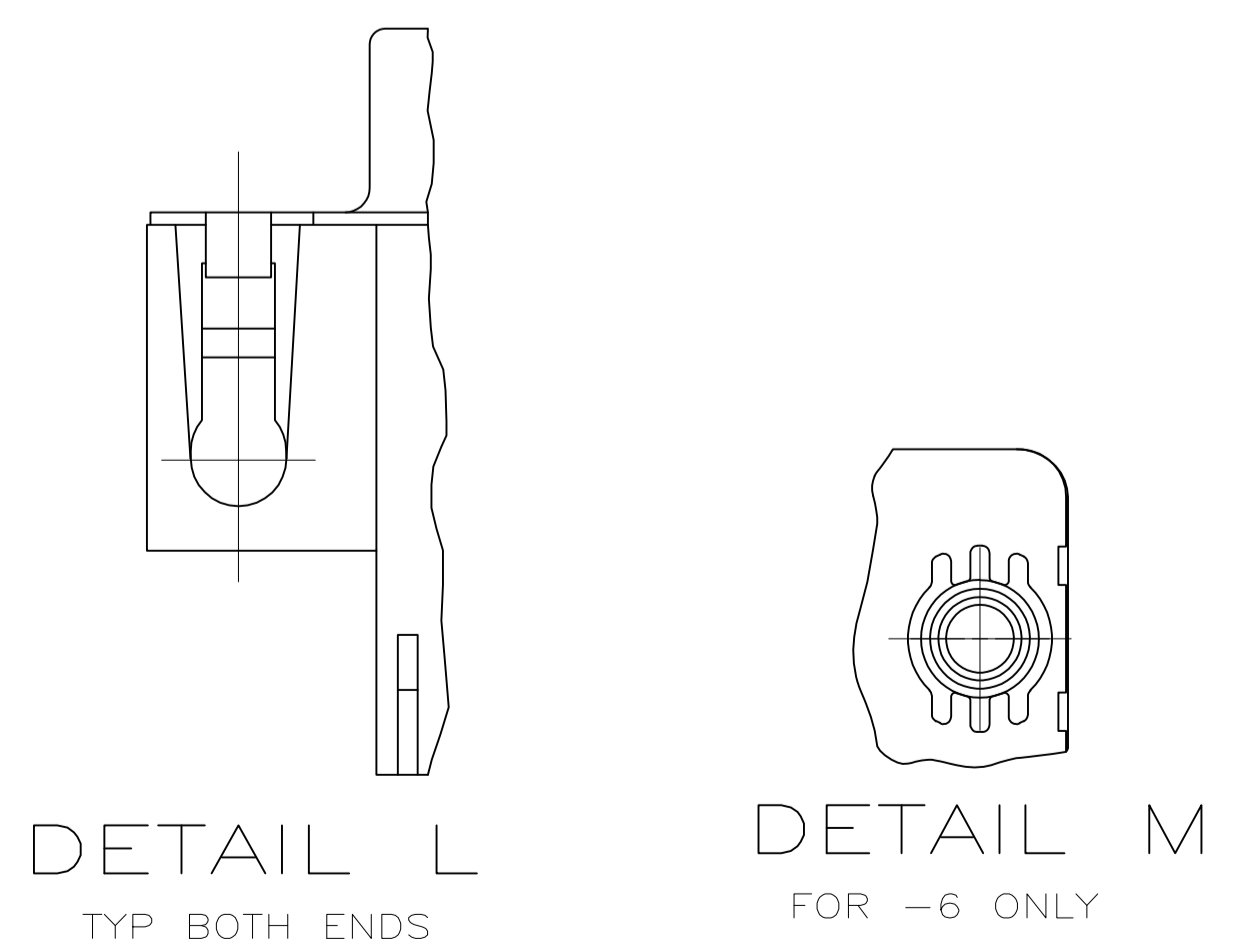
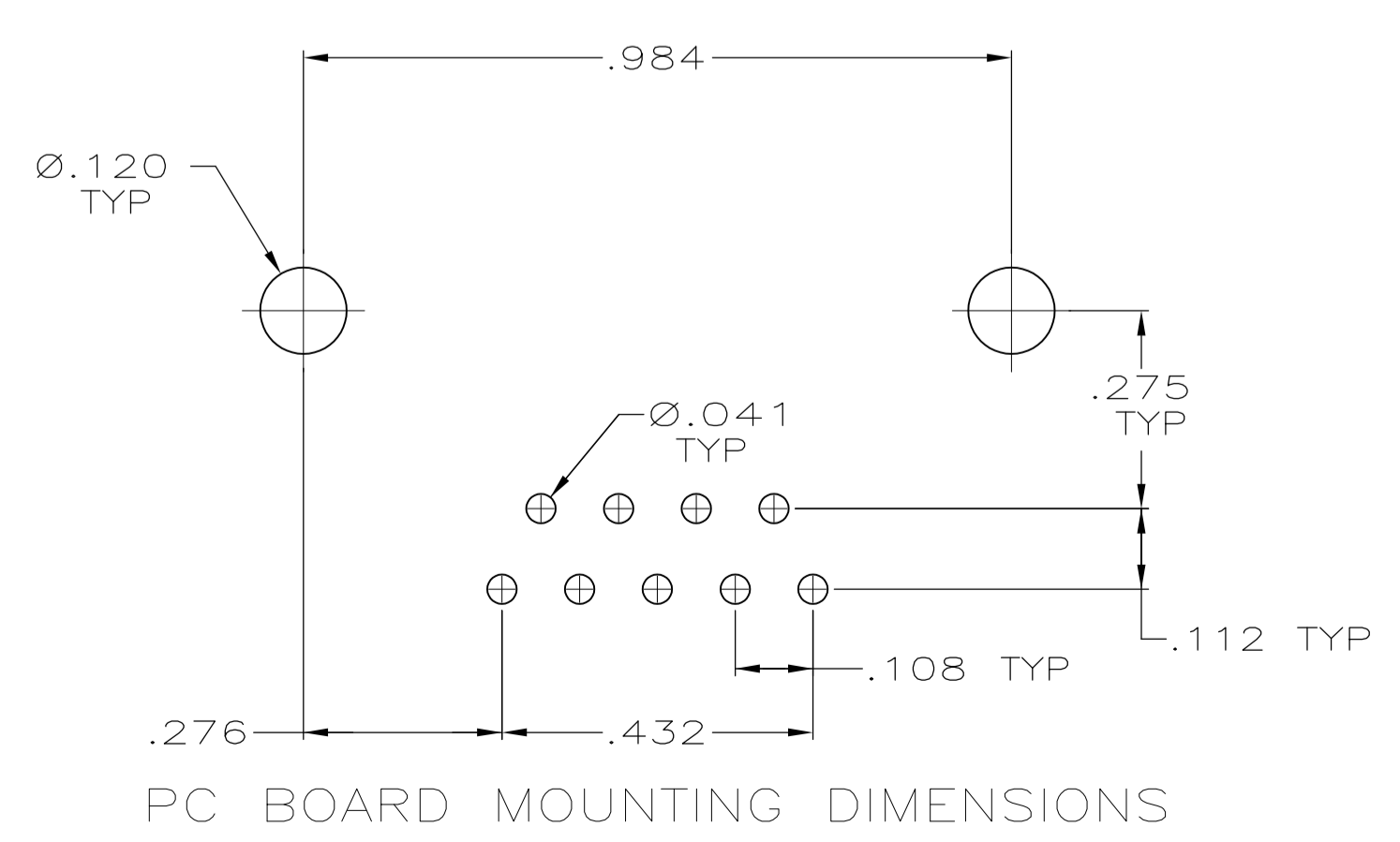
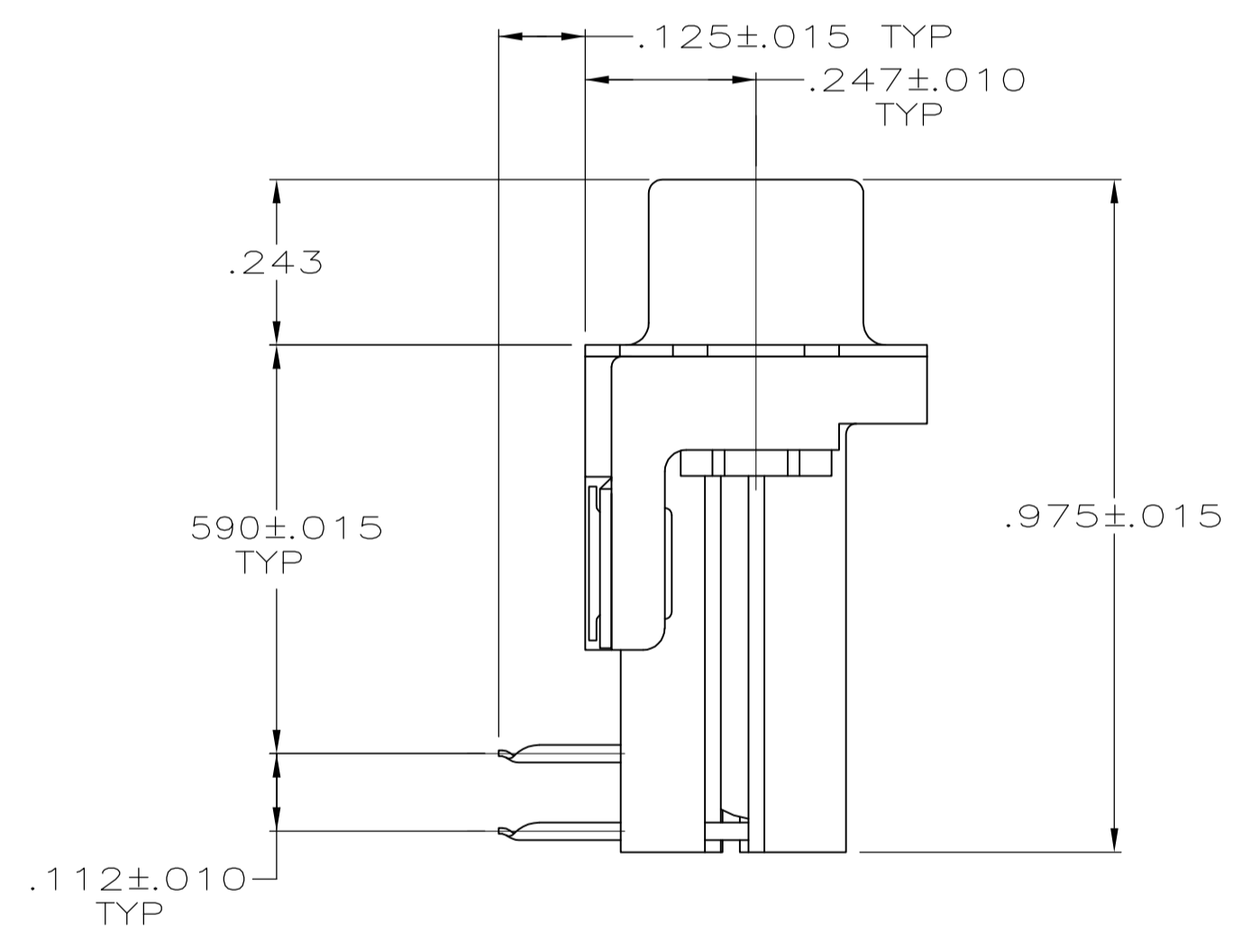
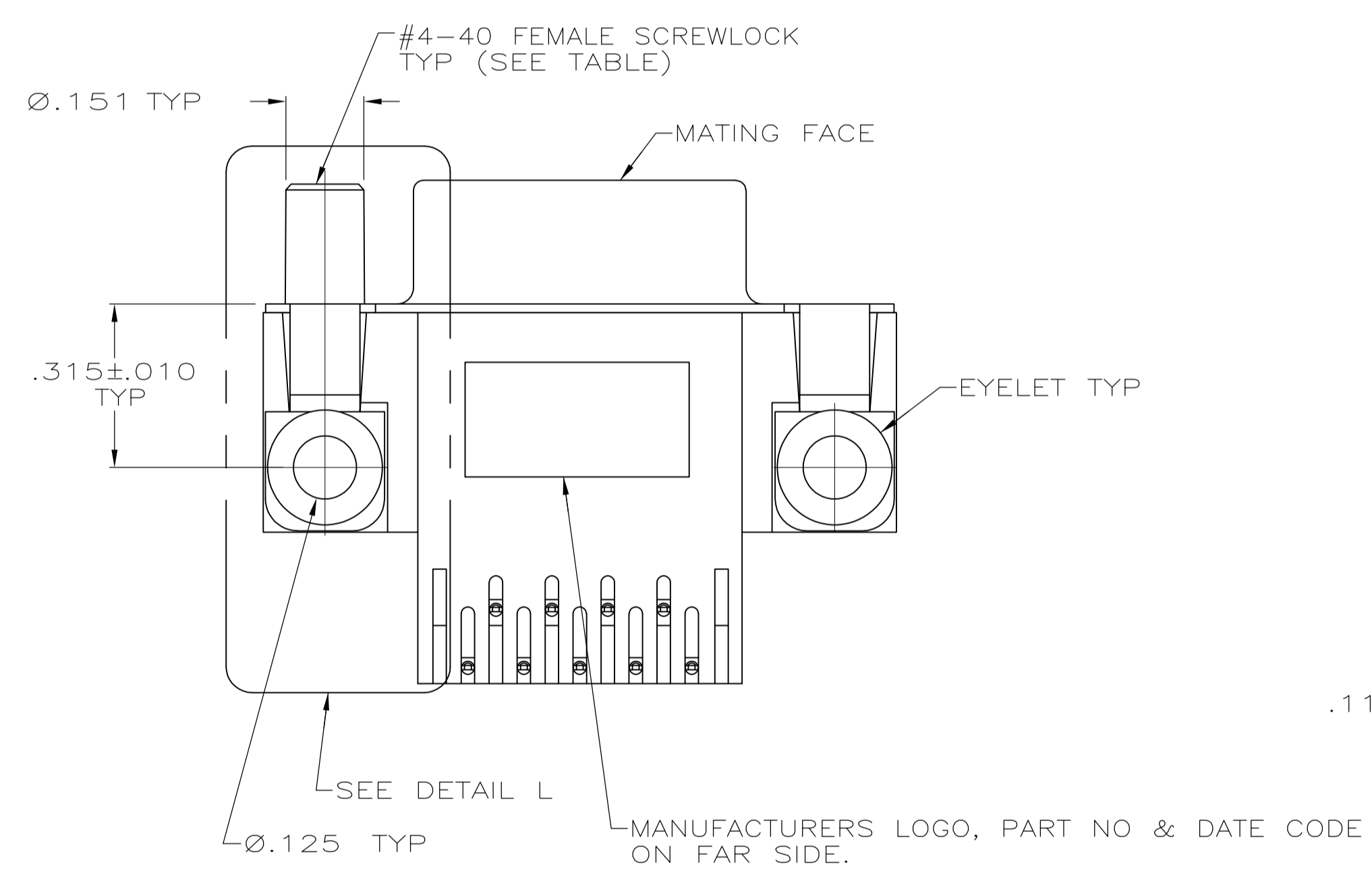


- CONNECTOR MATES WITH ANY 9 POSN PLUG IN AMPLIMITE SERIES & COMPLIES WITH AMP SPEC 108-40005 WHERE APPLICABLE.
- MOLDED PARTS: FLAME RETARDANT 94V-0 RATED THERMOPLASTIC, BLACK.
SHELL: STEEL.
CONTACTS: PHOSPHOR BRONZE.
EYELETS: BRASS.
SCREWLOCKS: ZINC.
INSERTS: ZINC.
- SHELL: BRIGHT TIN.
CONTACTS: .000030 GOLD FOR A DISTANCE OF .100 MIN FROM MATING END, TIN PLATED .000100-.000200 ON SOLDER POST, ALL OVER .000050 NICKEL.
EYELETS: TIN.
SCREWLOCKS: CLEAR CHROMATE.
INSERTS: CLEAR CHROMATE.



FEMALE SCREWLOCKS	5745988-6
THREADED INSERTS	5745988-4
MOUNTING HARDWARE	PART NUMBER

THIS DRAWING IS A CONTROLLED DOCUMENT.		DIN A FERNANDEZ-DOCKS 04-08-05		TE Connectivity	
DIMENSIONS: INCHES		CHK J.GERACE 04-08-05		RCPT ASSY, SIZE 1, RTANG, W/Front METAL SHELL, .026 DIA POSTS, AMPLIMITE HD-20 (.590 FOOTPRINT) SHORT LEG	
TOLERANCES UNLESS OTHERWISE SPECIFIED:		APVD M WALMSLEY 04-08-05		NAME	
0 PLC ± -		PRODUCT SPEC		108-40025	
1 PLC ± -		APPLICATION SPEC		114-40010	
2 PLC ± -		SIZE		A1	
3 PLC ± .005		CAGE CODE		00779	
4 PLC ± -		DRAWING NO		5745988	
ANGLES ± ± °		WEIGHT		-	
MATERIAL		FINISH		CUSTOMER DRAWING	
SCALE 4:1		SHEET 1 of 1		REV P	

**COPYRIGHT 2005
TE CONNECTIVITY CORP
ALL RIGHTS RESERVED**