

PRODUCT NUMBER  
75210-YXXLF

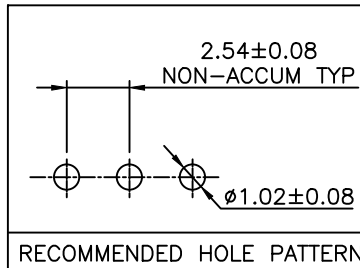
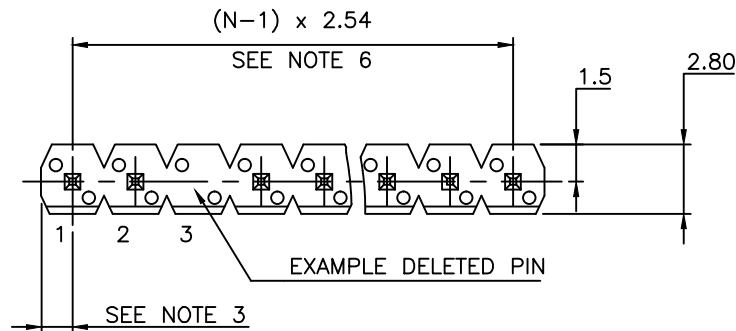
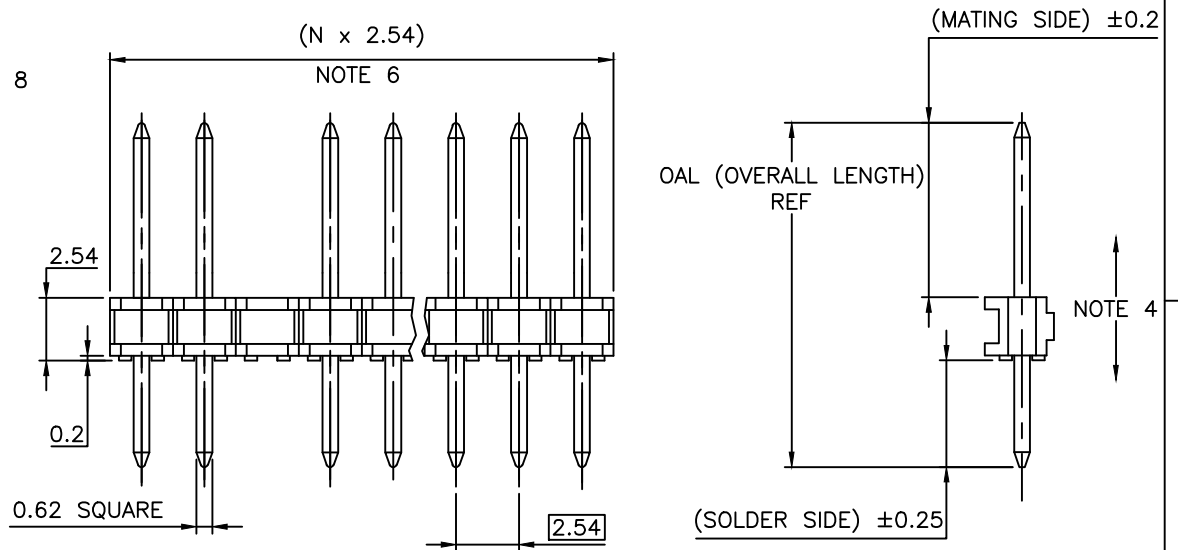
RoHS COMPLIANT & COMPATIBLE, SEE NOTE 8  
PIN STYLE SEE SHEET 2

PLATING:

- 1 = 0.76µm FULL GOLD
- 2 = 1.27µm FULL GOLD
- 3 = 2µm MIN MATTE TIN FULL PLATED
- 1.27µm MIN NICKEL UNDERPLATING

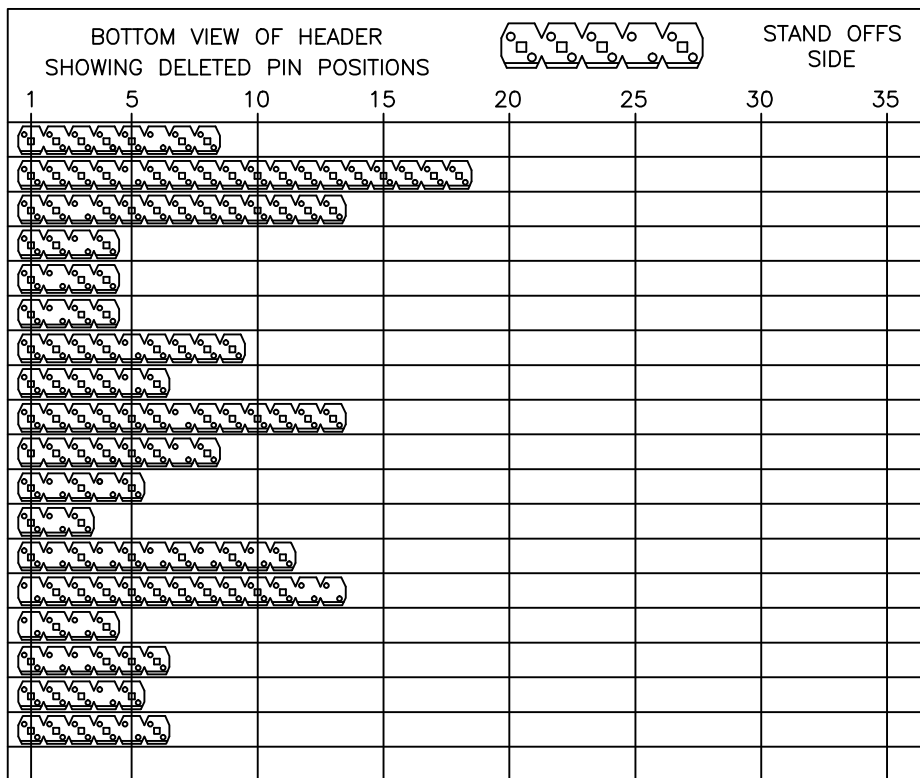
NOTES:

1. HOUSING MAT'L : HIGH TEMPERATURE THERMOPLASTIC FLAME RETARDANT PER UL94-VO, COLOR BLACK.
2. PIN MATERIAL : PHOSPHOR BRONZE.
3. DIM 1.27<sup>+0.03</sup><sub>-0.13</sub> FOR MOULDED SIDE(S) ONLY. IF SIDE(S) ARE BROKEN, DIM 1.02 TO 1.7 MAX APPLIES.
4. PIN PUSH OUT FORCE : 12N MIN.
5. PRODUCT PACKAGED IN POLY BAGS.
6. TO DETERMINE DIMENSIONS :  
N = NUMBER OF POSITIONS  
EXAMPLE : 8 POS N x 2.54 = 20.32mm
7. FOR STANDARD SELECTIVE GOLD PLATED PRODUCTS, SEE DRAWING 77312.
8. RoHS COMPATIBLE PRODUCT SPECIFICATIONS
  - a - "LF" MEANS THE PRODUCT IS LEAD-FREE
  - b - MANUFACTURING PROCESS COMPATIBILITY
    - THE HOUSING WILL WITHSTAND EXPOSURE TO 260°C ±5°C SOLDER BATH TEMPERATURE FOR 5 SECONDS IN A WAVE SOLDER APPLICATION WITH A 1.6mm MIN THICK CIRCUIT BOARD.
  - c - LABELING:
    - MEETS PACKAGING SPECS AS PER GS-14-920
  - d - LEGAL STATEMENT: SEE GS-47-0004



mat'l. code SEE NOTES		surface ISO 1302 ✓		tolerance ISO 406 ISO 1001		projection mm		product family BSTIK	
ltr ecn no dr date		tolerances unless otherwise specified		.x ±0.3		mm		title HEADER SR,STR POLARIZED 2.54 mm	
AV F06-0196 LMU 06.06.20		angles		.xx ±0.15		scale 5:1		dwg no 75210	
AW B-19264 LMU 14.10.31		linear		xxx ±0.05		FCJ		sheet 1 of 3 size A3	
AR F10712 LMU 01.11.28 dr		O. MATHEVON		95.12.03				type CUSTOMER Drawing	
AS F20167 JCO 02.02.28 engr		JMC		95.12.03					
AT F20193 JCO 02.04.10 chr		COMPAGNON		95.12.03					
AU F05-0186 LMU 05.05.19 appd		JMC		95.12.03					
sheet index	revision sheet	AW	AG	AH					
		1	2	3					

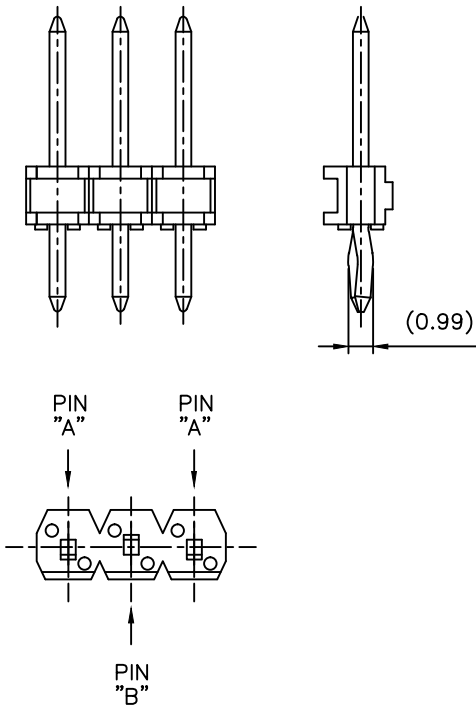
PIN STYLE	PRODUCT DEFINITION			
	NB OF POS	"A" ±0.2	"B" ±0.35	OAL REF
02	1x8	5.84	3.43	11.81
16	1x18	5.84	3.43	11.81
23	1x13	5.84	3.43	11.81
25	1x4	5.84	3.43	11.81
48	1x4	5.72	3.05	11.3
57	1x4	5.72	2.77	11.03
63	1x9	5.9	3.05	11.5
64	1x6	5.9	3.05	11.5
66	1x13	5.9	3.05	11.5
69	1x8	5.72	2.54	10.8
76	1x5	5.92	1.7	10.16
77	1x3	6.85	2.9	12.29
78	1x11	6.85	2.9	12.29
80	1x13	7.05	2.70	12.29
81	1x4	5.72	3.05	11.3
83	1x6	5.72	3.05	11.3
84	1x5	5.72	3.05	11.3
85	1x6	5.72	3.05	11.3



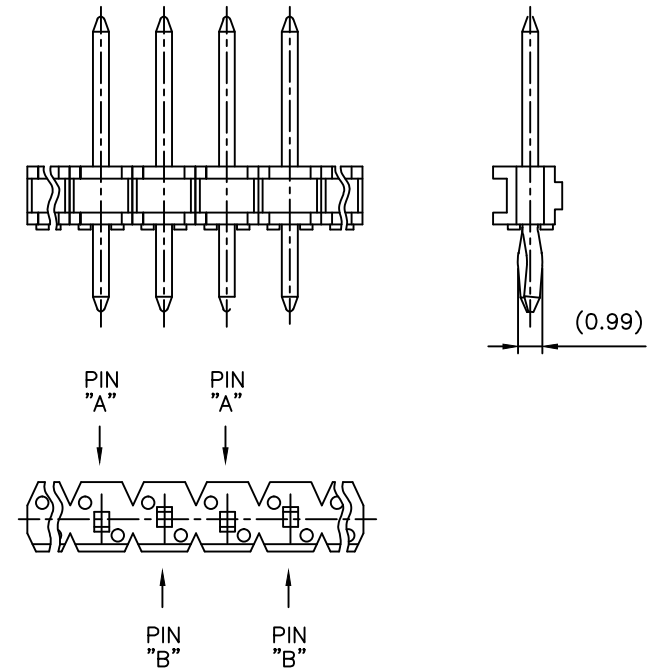
Copyright FCI

mat'l. code		surface ISO 1302 <input checked="" type="checkbox"/> ISO 406 ISO 1101		tolerance tolerances unless otherwise specified		projection 		product family BSTIK		
ltr	ecn no	dr	date	angles	linear	mm		title HEADER SR,STR POLARIZED 2.54 mm		
AE	F30524	JMC	93.06.21			scale 1:1		dwg no		
AF	F05-0186	LMU	05.05.19					sheet 2 of 3		
AG	F06-0196	LMU	06.06.20					size 75210 A3		
				dr	L.MULIN	05.05.19			type CUSTOMER Drawing	
				chr	MPAGNON	05.05.19				
				appd	JM.C	05.05.19				
sheet index	revision sheet									

3 PIN CONFIGURATION USED ON 3 POSITIONS HEADER



4 PIN CONFIGURATION USED ON 4 TO 36 POSITIONS HEADER



R = INDICATES A RETENTION.  
 T = PACKAGING IN TUBE PER SPAF0340  
 IF BOTH FEATURES ARE REQUIRED, "T" WILL APPEAR HERE, AND "R" WILL APPEAR IN THE POSITION OF THE FIRST DASH(INDICATED BY FIRST ARROW).

NOTES:

- 1 - PART NUMBER 75210-XXX LF
- 2 - PINS "A" AND "B" USED FOR RETENTION.
- 3 - DIRECTION OF RETENTION SHOWN BY ARROWS.
- 5 - ON 4 TO 36 POSITIONS HEADER; RETENTION IS IN MID POSITION OF HEADER(4 CENTRAL PINS)
- 6 - FOR RETENTION OPTION , SOLDER TAIL LENGTH TO BE 2.9 MIN UP TO 3.5 MAX.

mat'l. code		surface ISO 1302 ✓ ISO 406 ISO 1101		tolerance ISO 406 ISO 1101		projection mm		product family BSTIK	
ltr	ecn no	dr	date	tolerances unless otherwise specified		mm		title	
AE	F30524	JMC	93.06.21	angles	Linear	scale 1:1		HEADER SR,STR POLARIZED 2.54 mm	
AF	F05-0186	LMU	05.05.19					dwg no	
AG	F06-0196	LMU	06.06.20	dr	L.MULIN	05.05.19	sheet 3 of 3		size
				brd	MPAGNON	05.05.19	75210		A3
				chr			type		Drawing
				app	J.M.C	05.05.19	CUSTOMER		
sheet index	revision sheet								