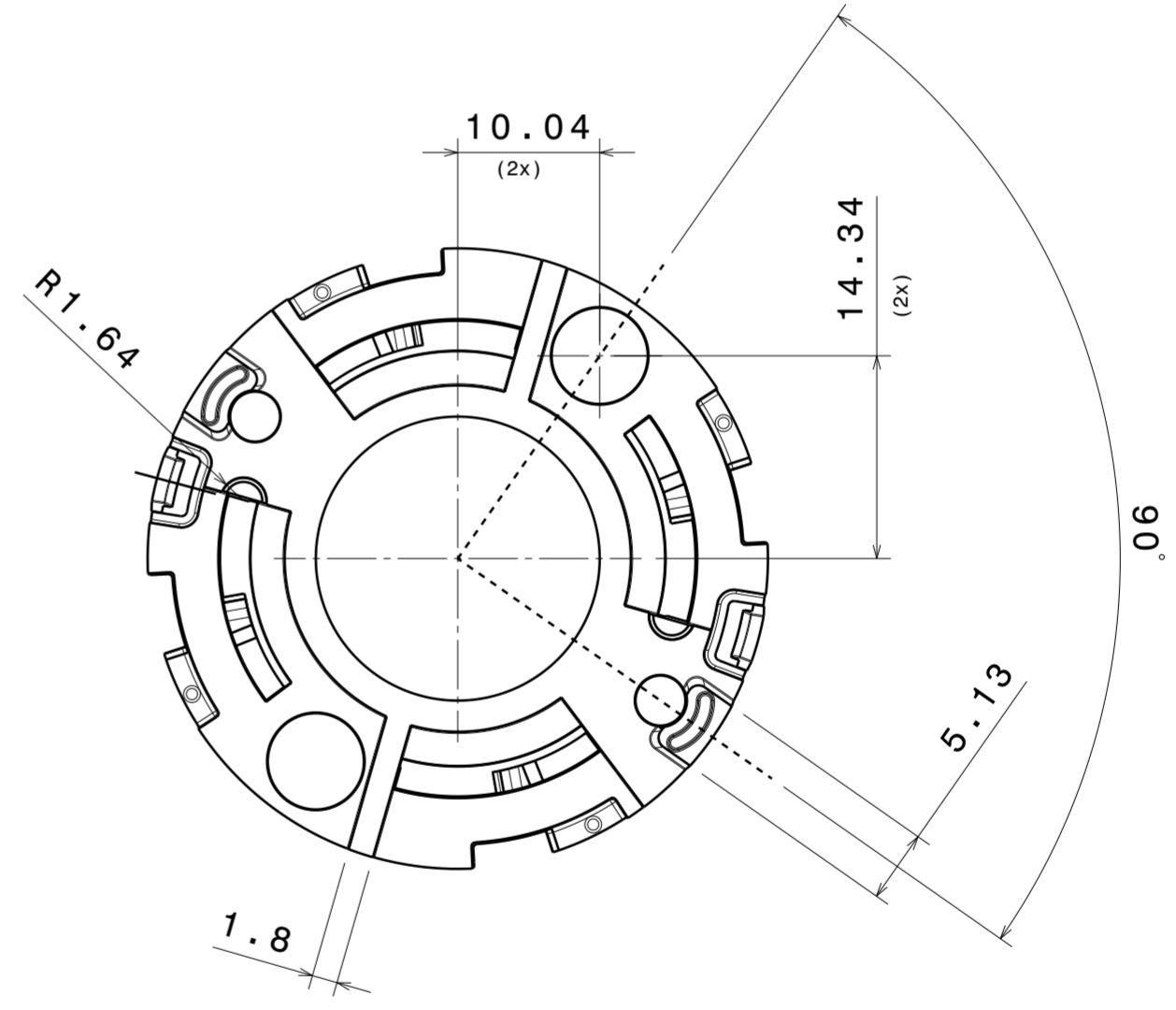
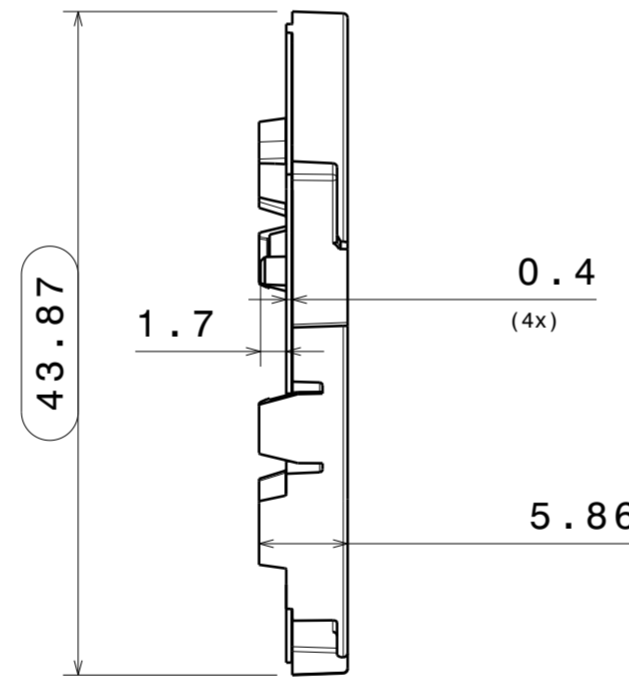
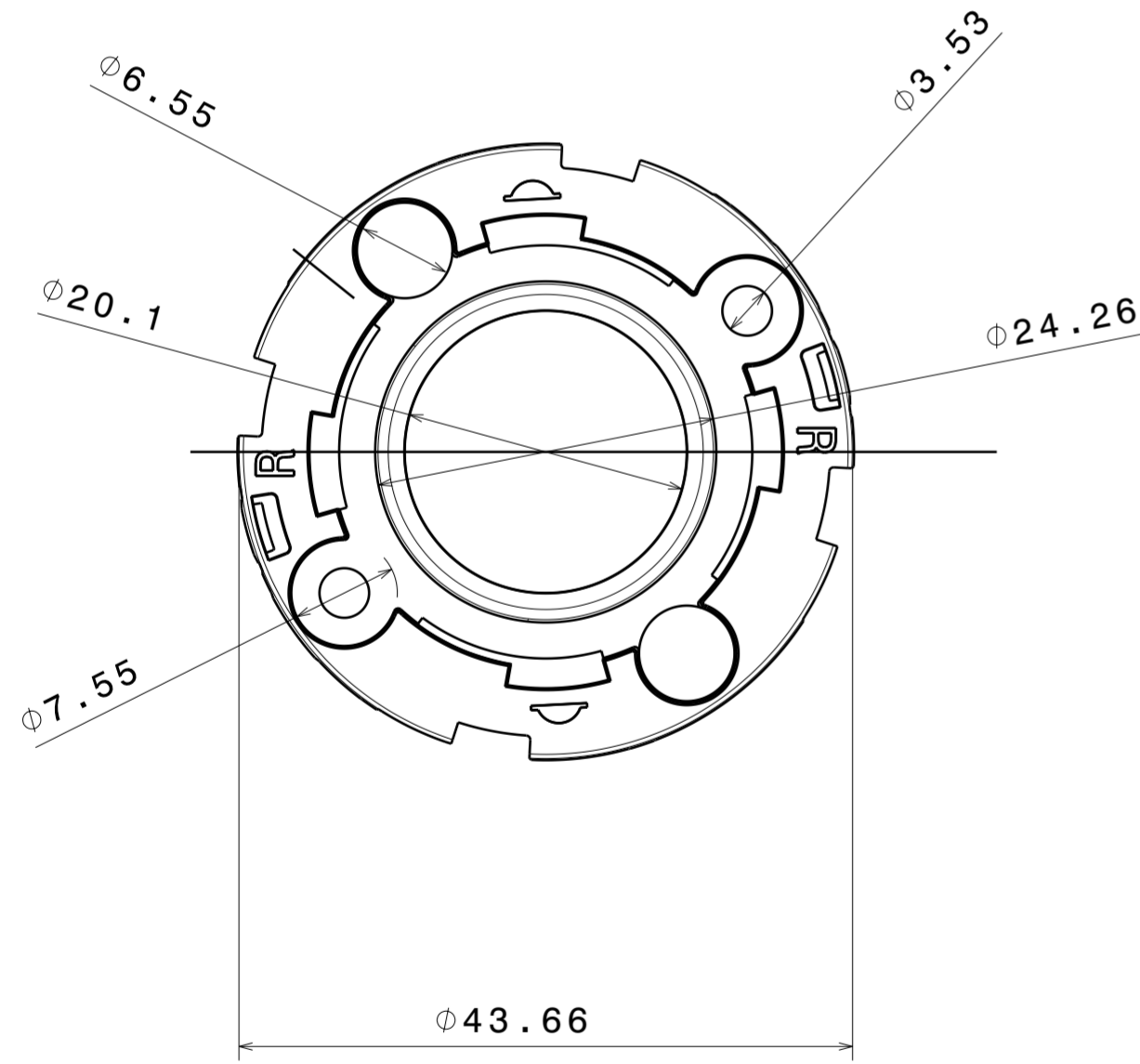


Isometric view
Scale: 4:1



INDEX	PART NO	DESCRIPTION	MATERIAL	COLOUR
1	C16142	HEKLA-SOCKET-K	PC Makrolon 2407	white

LEGEND	
1	Inspectional dimensions marked with:
2	See CAD file for detailed geometry information. Surface finishing markings are only shown in drawing level.
Surface finish:	-
Finish specifications:	-
LEDiL PROPRIETARY	This drawing is the property of LEDiL Oy. It may not be reproduced, copied or communicated without a written agreement with LEDiL Oy.

Tolerances if not otherwise shown
According to DIN ISO 2768-1
Linear measures:
Up to 30mm class F, otherwise class M.
According to DIN ISO 2768-2
Form and position: class K
Control for SPC marked dimensions.

FIRST ANGLE PROJECTION:

DRAWN BY	DATE
Kim Kaski	27.3.2017
CHECKED BY	DATE
DESIGNED BY	DATE
kk	

		LediL Oy Salorankatu 10 FIN 24240 SALO Finland	
DRAWING TITLE C16142_HEKLA-SOCKET-K_MECHMODEL			
SIZE	PART NUMBER	REV	
A2	C16142	001	
SCALE	1:1	WEIGHT	2,76 g
SHEET		1/1	