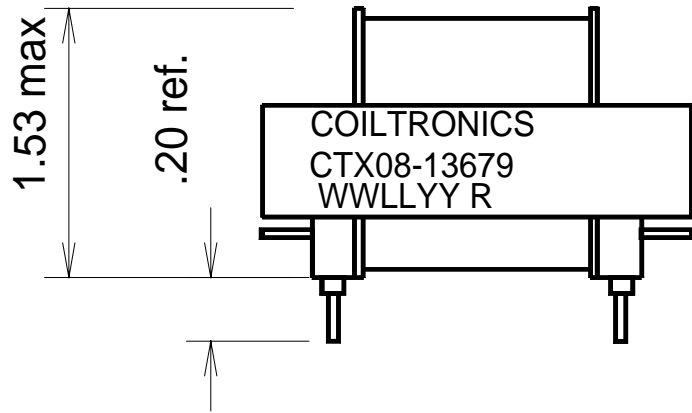
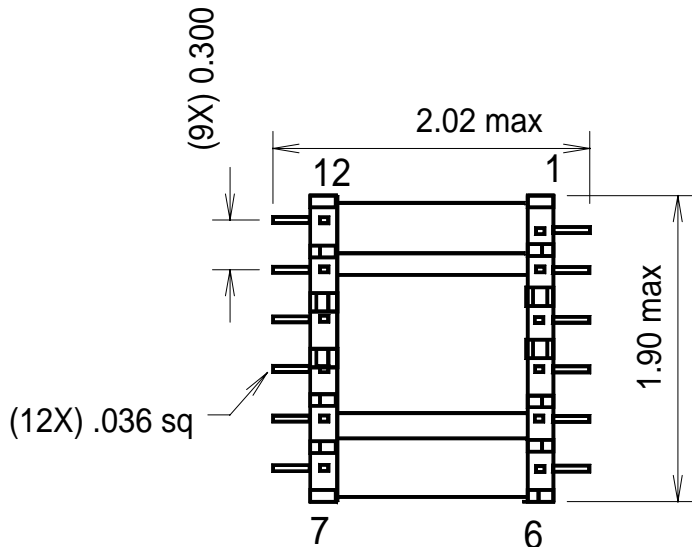


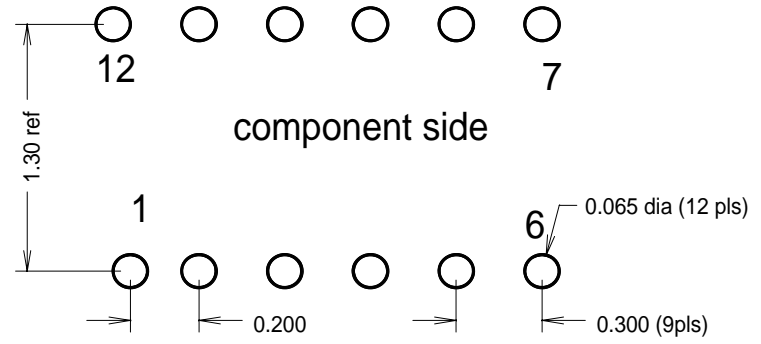
TOP VIEW



BOTTOM VIEW



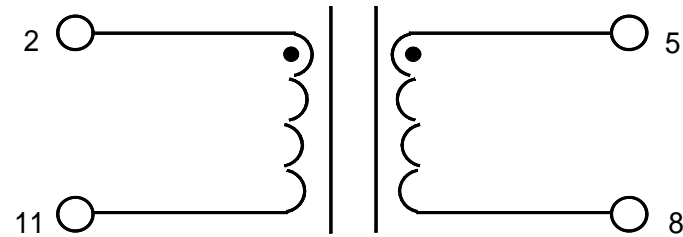
RECOMMENDED PCB PAD LAYOUT



ELECTRICAL CHARACTERISTICS

1. OCL @ 100 KHz, 0.25 vrms & 0.0 Adc; pins (2 - 11). 1.06 - 1.36 mH
2. OCL @ 100 KHz, 0.25 vrms & 4.70 Adc; pins (2 - 11). 0.990 mH min
3. DCR @ 20 °C pins (2 - 11). 0.228 Ωmax
4. DCR @ 20 °C pins (5 - 8). 0.067 Ωmax
5. Turns ratio; pins (2 - 11) : (5 - 8). 1.0 : 0.045 +/- 3%

SCHEMATIC



Notes:

1. All dimensions are in inches.
2. Tolerances are 0.xx; +/- 0.010" and 0.xxx; 0.005" unless stated otherwise.

COILTRONICS, INCORPORATED

6000 Park of Commerce Blvd, Boca Raton, FL 33487

Inductor, power factor correction with one auxiliary winding. 80 - 265vac : 400 volts out. 250 watts
20 - 100KHz, 1.2mH nom.

SIZE	Drawing Number: CTX08-13679	
A	Revision Level	B Sheet 3 of 4