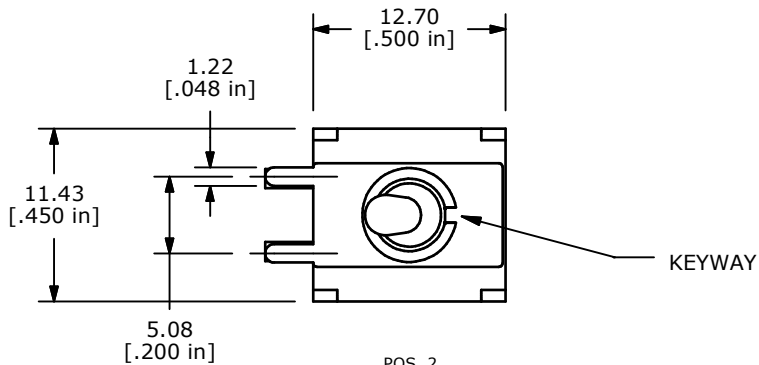
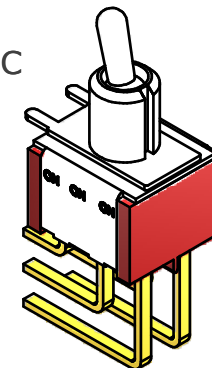


PC MOUNTING

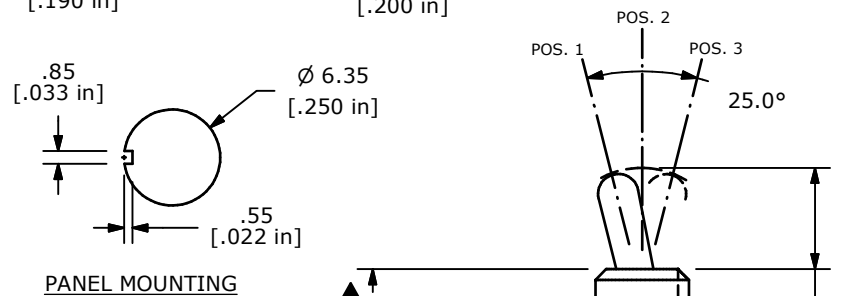


KEYWAY

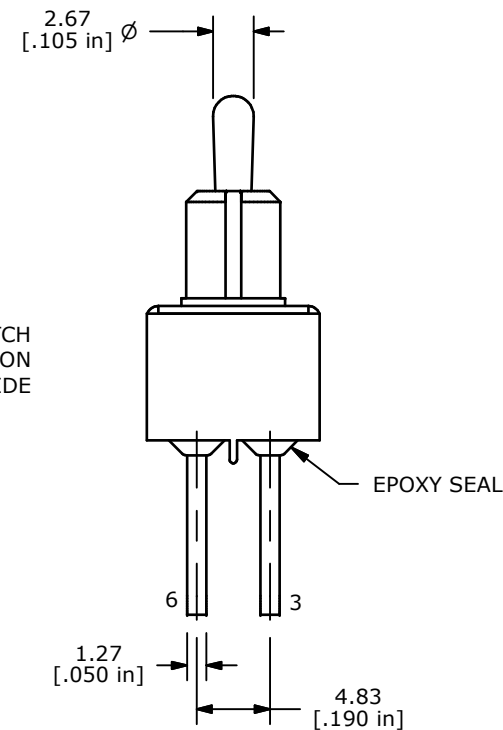
ISOMETRIC



SWITCH FUNCTION		
POS. 1	POS. 2	POS. 3
ON	ON	ON
2-3, 5-6	2-3, 5-4	2-1, 5-4

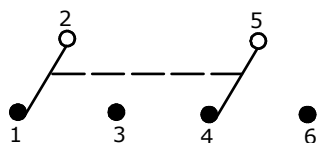


PANEL MOUNTING

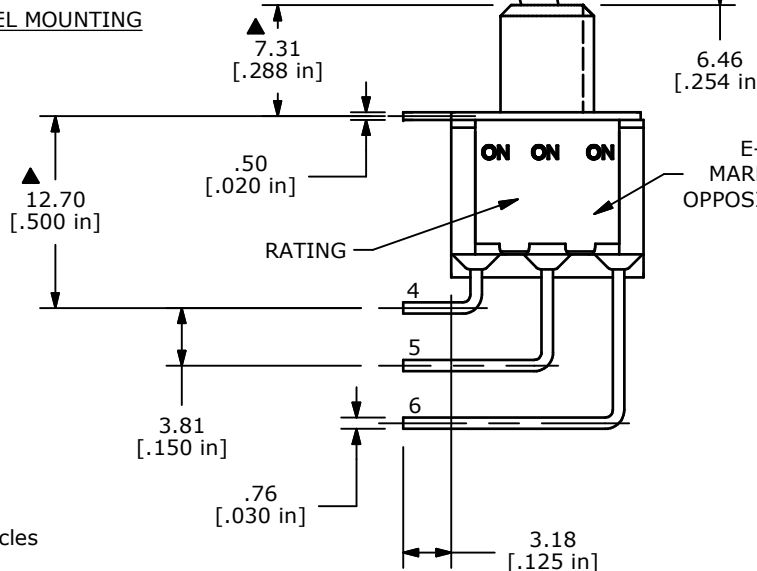


E-SWITCH MARKING ON OPPOSITE SIDE

EPOXY SEAL



CIRCUIT: DPDT



RATING

- NOTE:
1. ALL DIMENSIONS IN MM [INCH]
  2. GENERAL TOLERANCE: X.X=±0.4  
X.XX=±0.25
  3. TERMINAL NUMBERS FOR REF ONLY
  - ▲ 4. PLATING MATERIAL: GOLD
  5. RATING: 0.4 VA @ 20V max. (AC OR DC)
  6. LIFE EXPECTANCY: 40,000 make-and-break cycles at full load.
  7. INSULATION RESISTANCE: 1,000 Mega-ohm min.
  8. CONTACT RESISTANCE: 10 MILLI-OHMS MAX.
  9. DIELECTRIC STRENGTH: 1,000 V RMS @sea level.
  10. OPERATING TEMP.: -30°C to 85°C
  11. ▲ DENOTES CRITICAL PARAMETER.
  12. 2002/95/EC (ROHS) COMPLIANT



A	18551	RELEASED FOR PRODUCTION	6/16/09	BLR
REV	PCR NO	DESCRIPTION	DATE	BY

TITLE 100DP6T2B4M7RE				
SCALE	DATE	DR	DWG	REV
2:1	6/16/2009	BLR	T126037	A

THE INFORMATION CONTAINED IN THIS DOCUMENT IS PROPRIETARY TO E-SWITCH AND IS NOT TO BE COPIED OR TRANSFERRED