

DRAWING MADE IN THIRD ANGLE PROJECTION

© COPYRIGHT 1977 BY AMP INCORPORATED, HARRISBURG, PA.  
 ALL INTERNATIONAL RIGHTS RESERVED. AMP INCORPORATED PRODUCTS  
 COVERED BY U. S. PATENT AND DESIGN PATENTS AND/OR PATENTS PENDING.

UNLESS OTHERWISE SPECIFIED, THIS DRAWING IS TO BE  
 CONSIDERED A COPY NOT TO BE  
 REPRODUCED OR REPRINTED WITHOUT WRITTEN PERMISSION  
 FROM AMP INCORPORATED.

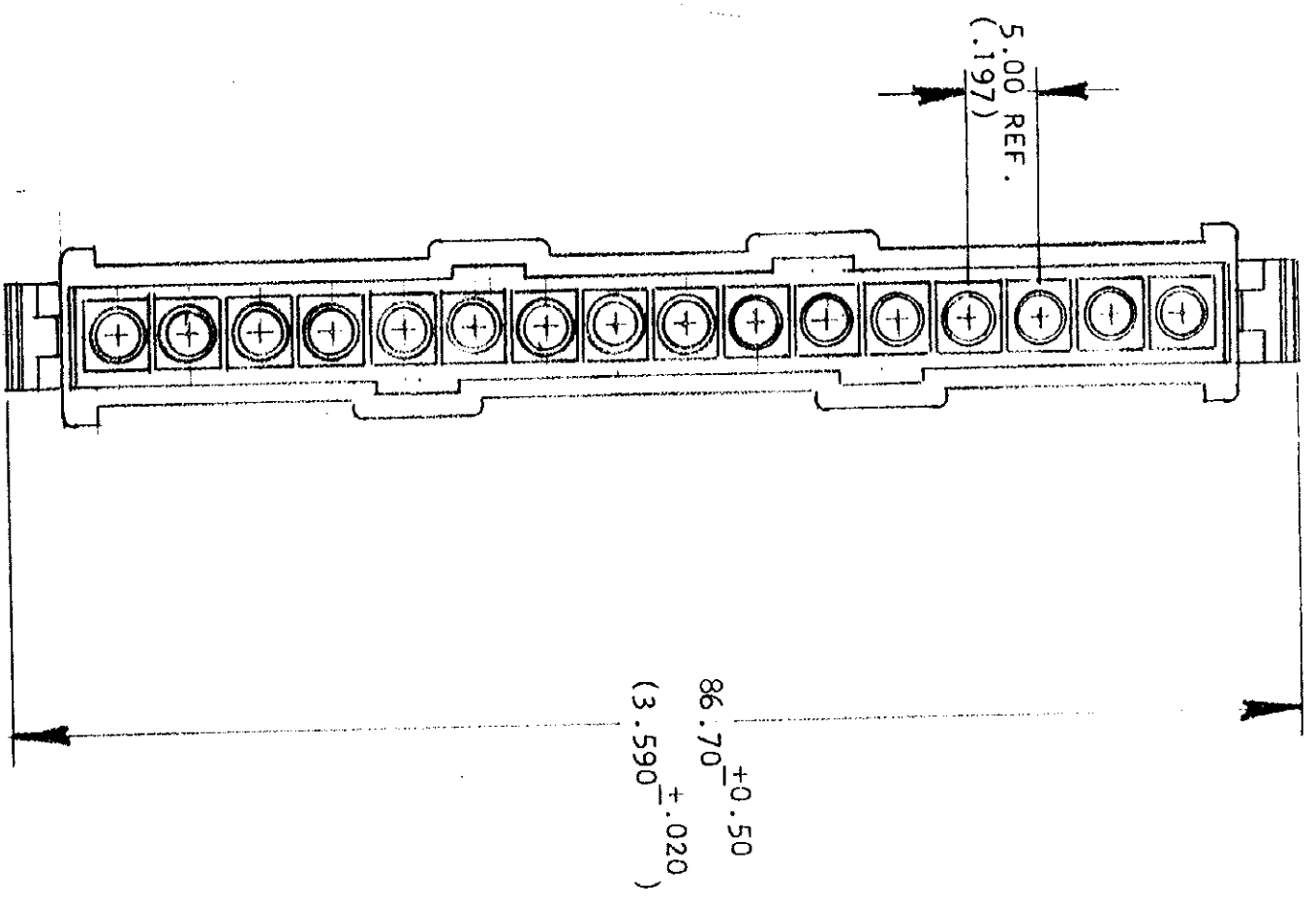
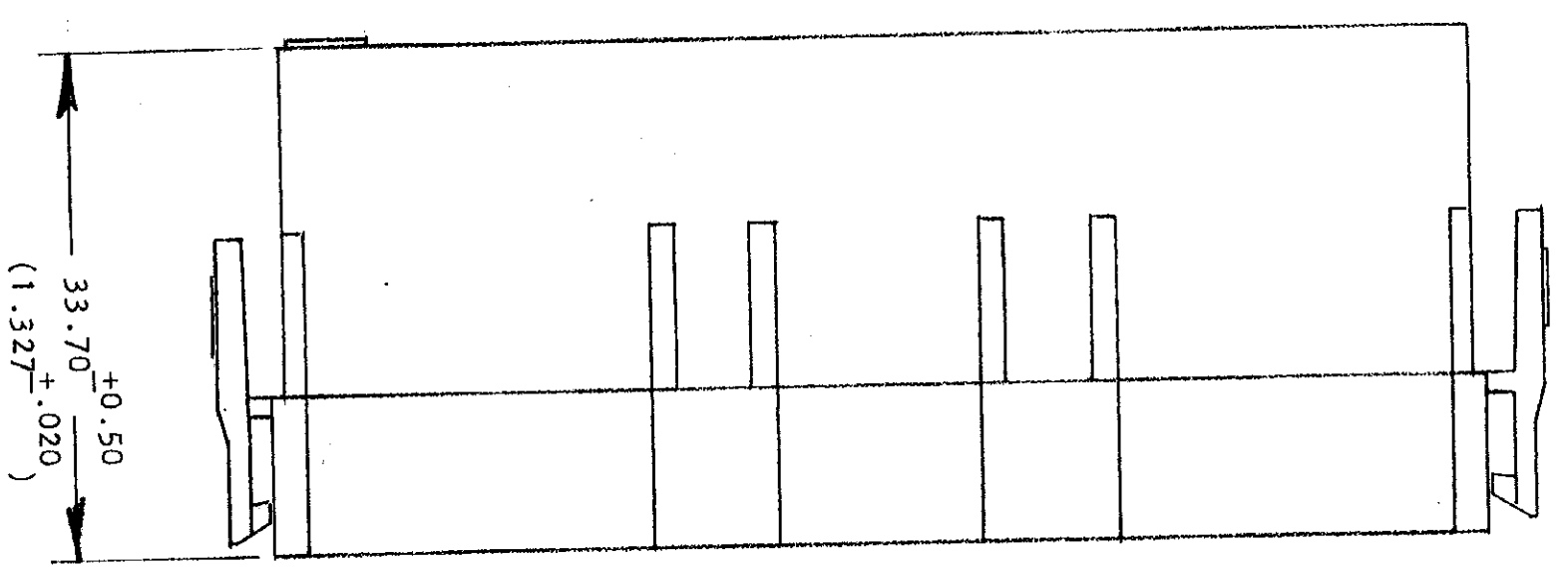
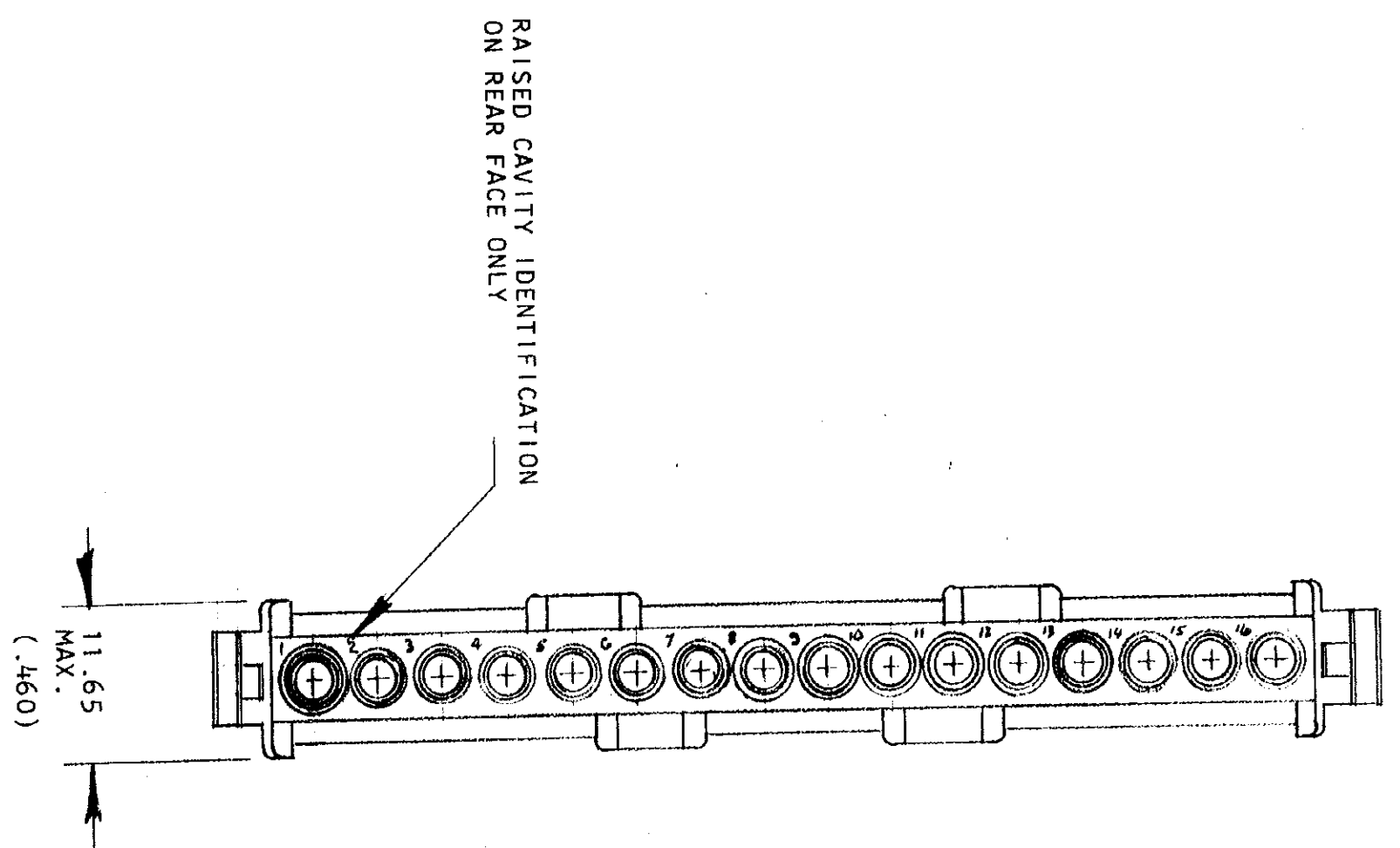
207543 -1 1. AS SHOWN.

3

2

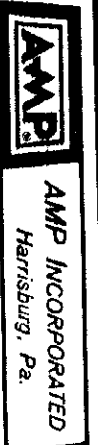
1

REVISIONS		DATE	APPROVED
P	F ZONE		
LTR			
0	RELEASED WAS 5019-113	11/23/77	KA/11/23/77



1. INCH DIMENSIONS ARE IN PARENTHESES AND SHOWN FOR REFERENCE ONLY.

UNLESS OTHERWISE SPECIFIED DIMENSIONS ARE IN MILLIMETERS		CONTRACT NO		PART NO	
TOLERANCES ON:		DR		NAME	
DECIMALS ±0.25 (.010)		11/22/77		HOUSING, RECEPTACLE, 16 POS.,	
ANGLES		12/2/77		IN-LINE, FREE HANGING	
MATERIAL THERMOPLASTIC		ASG		— SMALL METRIC CONNECTOR —	
COLOR: RED		12/24/77		SIZE CODE IDENT NO	
FINISH		12-22-77		DRAWING NO	
		OTHER APPD		C 00779	
				SCALE 1 OF 1	
				SHEET 1 OF 1	



AMP INCORPORATED  
 Harrisburg, Pa.

CUSTOMER DRAWING

CUST 207543