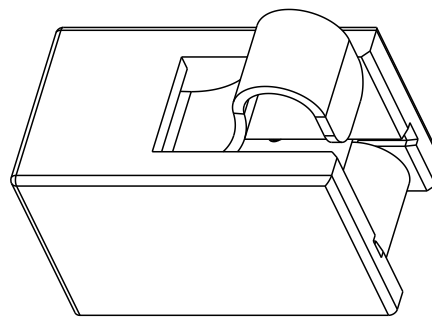
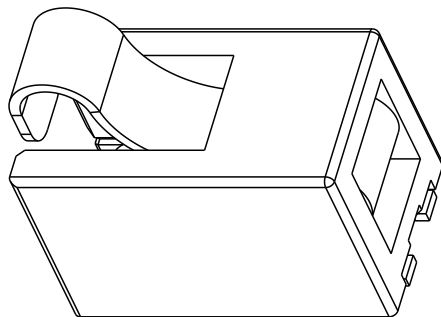


P/N	PLATING
10073574-001LF	30u" Au
10073574-009LF	30u" GXT



NOTES:
 1. MATERIAL:
 HOUSING: G/F LCP, UL 94V-0, COLOR: BLACK.
 CONTACT: COPPER ALLOY, THICKNESS=0.15MM.
 PLATING: 50u" MIN. OF Ni UNDERPLATE, PURE TIN ON SOLDER TAIL,
 CONTACT AREA PLATING 30u" HARD GOLD OR 30u" GXT.
 2. PRODUCT PERFORMANCE SPEC. PER GS-12-455.
 3. PACKAGE SPEC. PER GS-14-1120.
 4. THIS PRODUCT IS RoHS COMPLIANT, AND MEETS EUROPEAN UNION DIRECTIVES
 AND OTHER COUNTRY REGULATIONS AS PER GS-22-008.

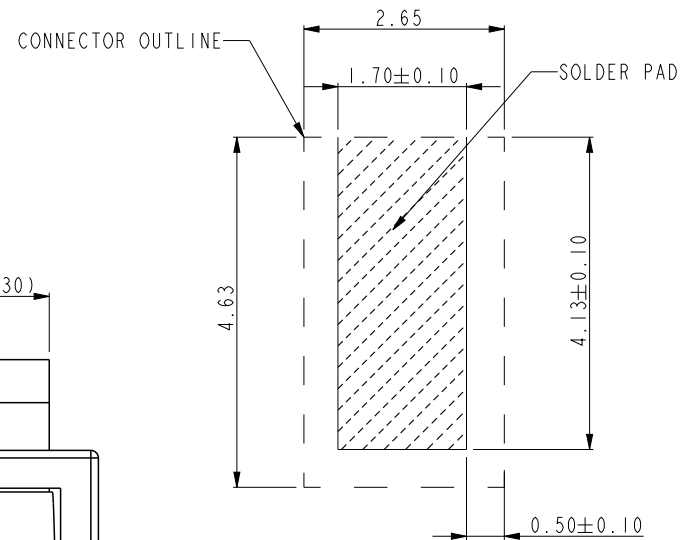
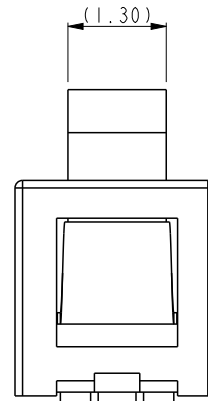
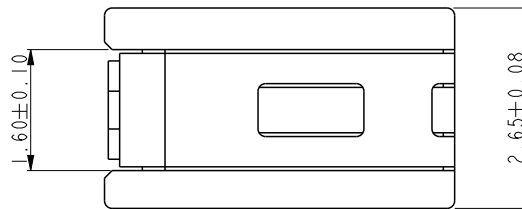
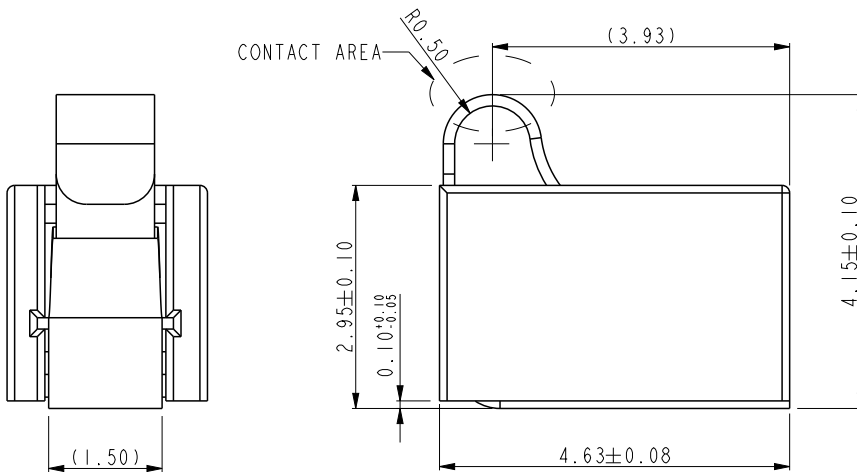
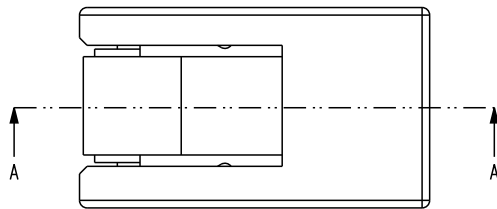
rev	ecn no	dr	date
A	DG07-0106	D T	2007-03-29
B	ELX-DG-14934-1	A L	2013-06-07
-	-	-	-
-	-	-	-
-	-	-	-
-	-	-	-

spec ref		RELEASED		dr	w wcadmin	2007/03/29	projection 	MM 	size	A4	scale	10.000				
tolerance std	ASME Y14.5	TOLERANCES UNLESS OTHERWISE SPECIFIED		eng	Andy Lu	2013/06/07			ecn no	ELX-DG-14934-1						
				chr	Webber Yan	2013/06/08				rel level	Released					
surface	ASME Y14.5	linear	0.X	±0.3		title	ANTENNA CONNECTOR ASSEMBLY	MOTO IPIN ANTENNA CONNECTOR	cat. no.	10073574	Product - Customer Drw	sheet 1 of 2				
ASME Y14.5	angular	0.XX	±0.15	www.fci.com									cat. no.	10073574	Product - Customer Drw	sheet 1 of 2
		0.XXX	±0.080													

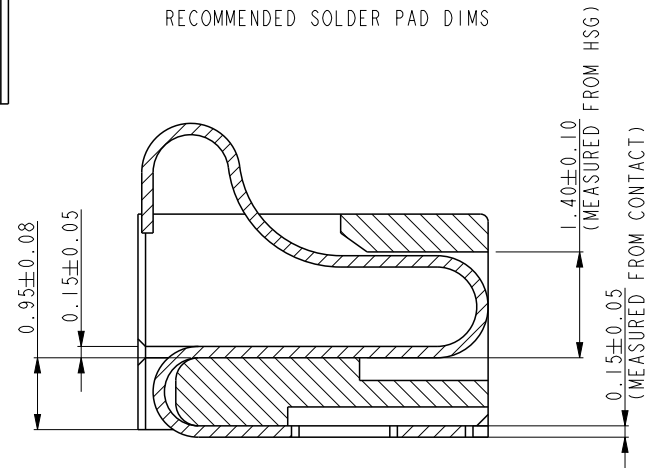


Copyright FCI.

P/N	PLATING
10073574-001LF	30u" Au
10073574-009LF	30u" GXT



RECOMMENDED SOLDER PAD DIMS



SECTION A-A
SCALE 10.000

spec ref		RELEASED		dr	w wadmin	2007/03/29	projection 	MM ←→	size	A4	scale	10.000
tolerance std		TOLERANCES UNLESS OTHERWISE SPECIFIED		eng	Andy Lu	2013/06/07			ecn no	ELX-DG-14934-1		
ASME Y14.5				chr	Webber Yan	2013/06/08			rel level	Released		
surface		linear	0.X	±0.3	FCI 	title	ANTENNA CONNECTOR ASSEMBLY		dwg no	10073574		rev
ASME Y14.5			0.XX	±0.15								
		0.XXX	±0.080									
angular		0°	±2°	www.fci.com	cat. no.	10073574	Product - Customer Drw		sheet 2 of 2			

ProjE File - REV C - 2009-06-09