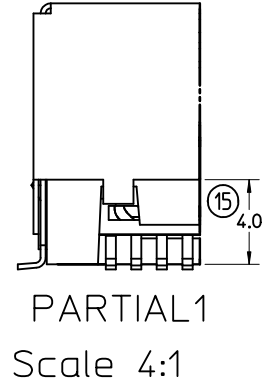
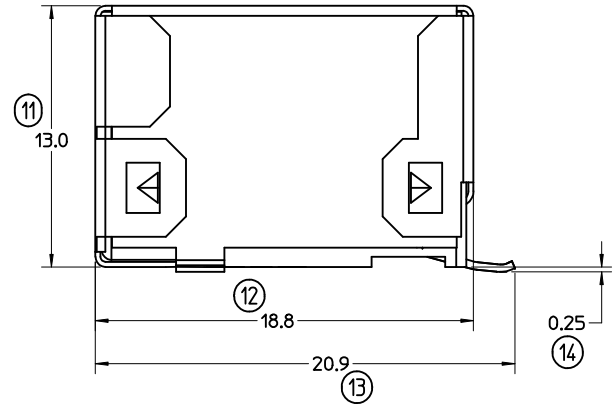
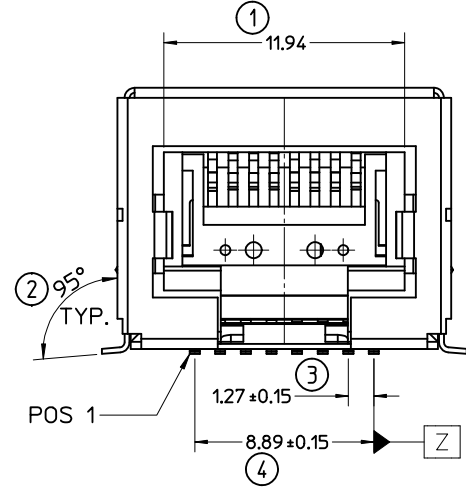
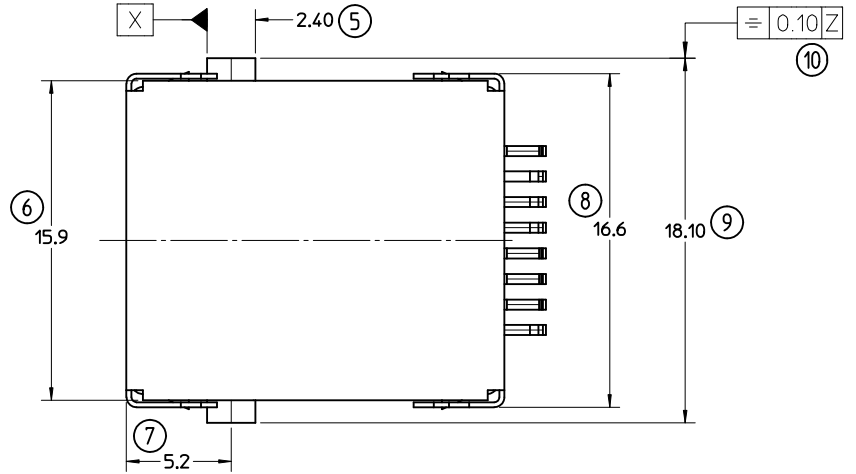


PART No.	PLATING
85543-7002	7



NOTES:

- 1- JACK FOR MATING WITH SHIELDED PLUG (MOLEX 95043 AND 85668 SERIES)
- 2- PRODUCT SPECIFICATION: PS-85543-002
- 3- PACKAGING SPECIFICATION: PK-95122-002 (BLISTER ON REEL)
- ⑬ 4- COPLANARITY OF SIGNAL LEADS: 0.10 MAX
- 5- RECOMMENED PCB THICKNESS 1.57

LAST INSPECTION No: ⑬

TECHNICAL SPECIFICATIONS:

MATERIAL:

HOUSING: LCP GLASS FILLED UL 94V0, COLOUR BLACK.
 TERMINAL: PHOSPHOR BRONZE PLATED WITH:
 PLATING 7: POST PLATE 0.00005 MIN GOLD FLASH OVER
 0.00060 MIN PALLADIUM-NICKEL IN CONTACT AREA,
 0.00190 MIN PURE TIN IN TAIL AREA,
 BOTH OVER 0.00127 MIN NICKEL OVERALL.
 SHIELD: BRASS PLATED WITH 0.0020 MIN TIN.

ADDED OPTION EC NO: E2012-0040 DRWN: JOCONNOR 2011/03/31 CHKD: APPR: EFOLAN 2011/10/13	DESCRIPTION QUALITY SYMBOLS ▽=0 ◻=0	GENERAL TOLERANCES (UNLESS SPECIFIED)		DIMENSION STYLE	SCALE	DESIGN UNITS	THIRD ANGLE PROJECTION	
		mm	INCH	MM ONLY	4:1	METRIC		
		4 PLACES	± ---	± ---	DRAWN BY	DATE	TITLE	
		3 PLACES	± ---	± ---	CHECKED BY	DATE	FULLY SHIELDED TRUE SMT R/A HIGH SPEED MOD JACK 8 CCT	
2 PLACES	± 0.25	± ---	EOMAHONY	2006/09/06	MOLEX INCORPORATED			
1 PLACE	± 0.35	± ---	EOMAHONY	2006/09/06	DOCUMENT NO.		SHEET NO.	
ANGULAR ± 2 °		DRAFT WHERE APPLICABLE MUST REMAIN WITHIN DIMENSIONS		SIZE	THIS DRAWING CONTAINS INFORMATION THAT IS PROPRIETARY TO MOLEX INCORPORATED AND SHOULD NOT BE USED WITHOUT WRITTEN PERMISSION		1 OF 1	
				A3	SEE CHART		SD-85543-502	