

4

3

2

1

THIS DRAWING IS UNPUBLISHED.

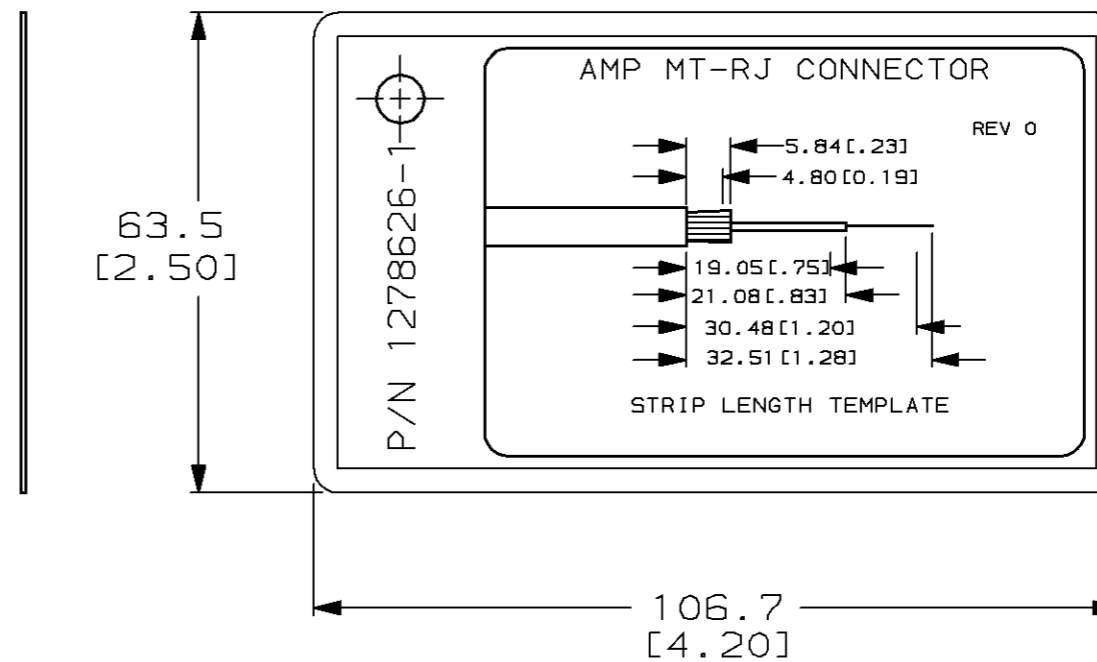
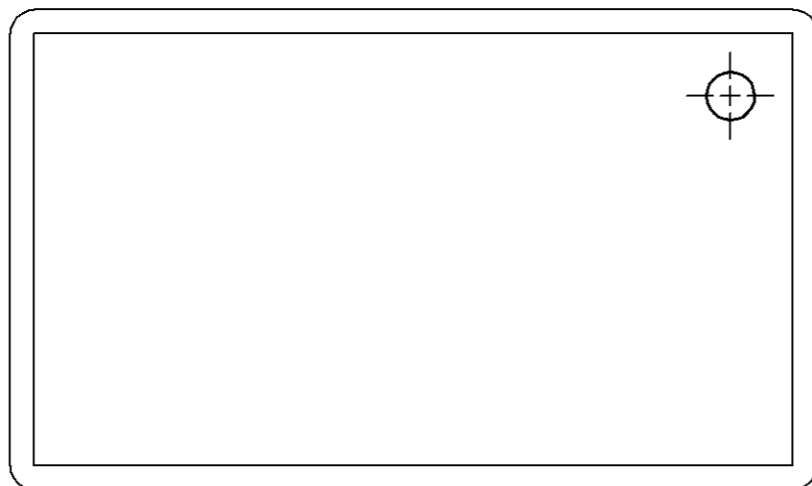
RELEASED FOR PUBLICATION

,19 .

© COPYRIGHT 19

BY AMP INCORPORATED. ALL RIGHTS RESERVED.

LOC	DIST	REVISIONS			
P	LTR	DESCRIPTION	DATE	DWN	APVD
CE	16				
	0	RELEASE PER NPR 99-152	13APR99	JPM	SB



THIS DRAWING IS A CONTROLLED DOCUMENT.		DWN J.P. MARSHALL 13APR99	AMP Incorporated Harrisburg, PA 17105-3608	
DIMENSIONS: mm [IN]		CHK M. GURRERI 13APR99	AMP	
TOLERANCES UNLESS OTHERWISE SPECIFIED:		APVD S. BUCHTER 13APR99	NAME	
0 PLC ±-		PRODUCT SPEC	STRIP TEMPLATE MT-RJ	
1 PLC ±-		APPLICATION SPEC	SIZE	RESTRICTED TO
2 PLC ±-		WEIGHT	CAGE CODE	1 OF 1
3 PLC ±-		CUSTOMER DRAWING	DRAWING NO	REV 0
4 PLC ±-			A3 00779	
ANGLES ±-			C= 1278626	
MATERIAL	FINISH		SCALE 1:1	
-	-			