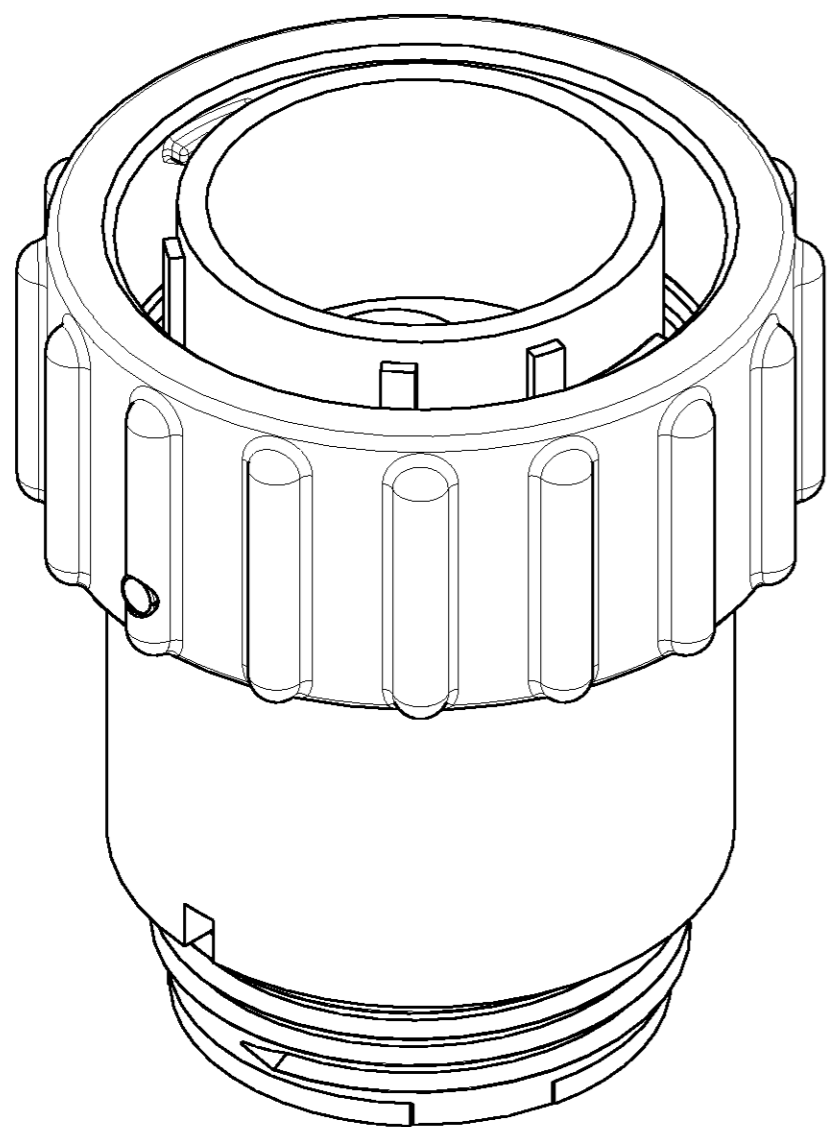
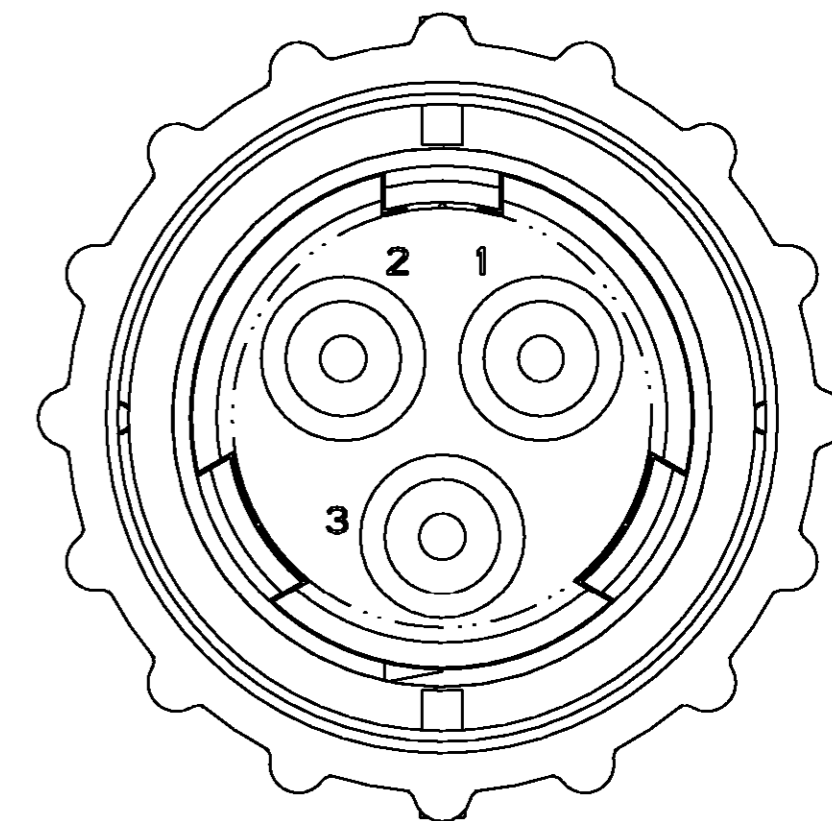
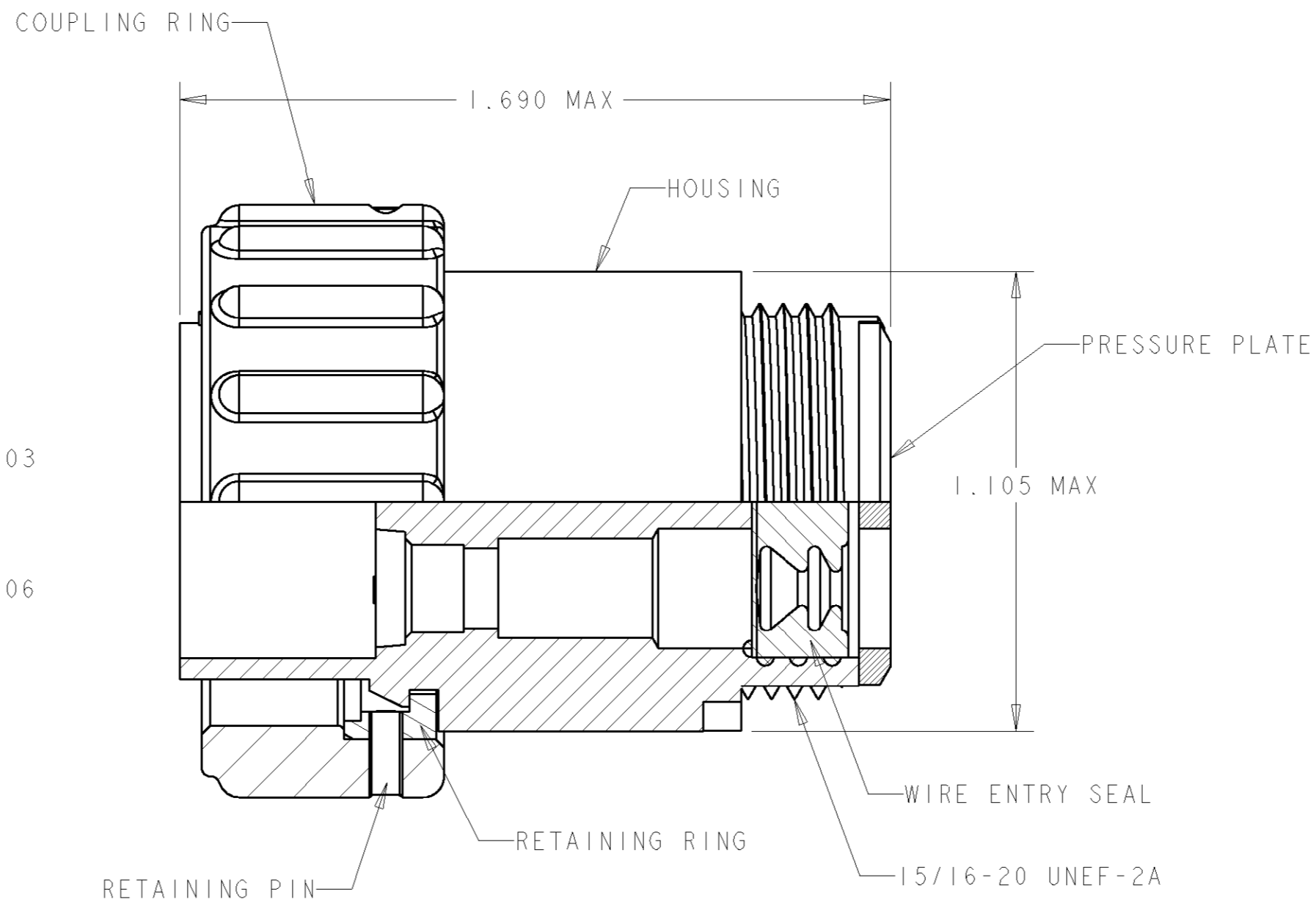
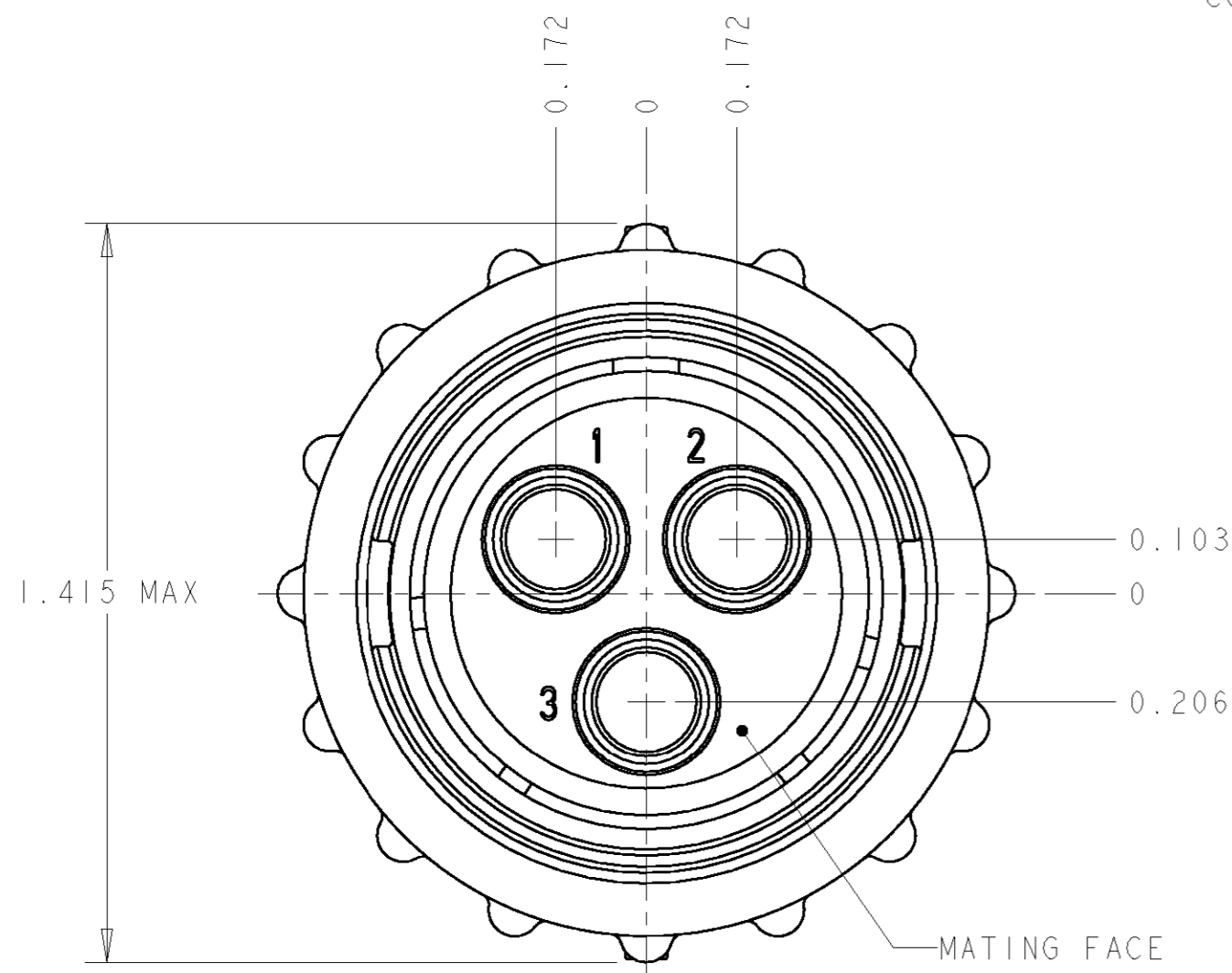


THIS DRAWING IS UNPUBLISHED. RELEASED FOR PUBLICATION
 © COPYRIGHT 19 BY TYCO ELECTRONICS CORPORATION. ALL RIGHTS RESERVED.

LOC	DIST	REVISIONS					
FT	0	P	LTR	DESCRIPTION	DATE	DWN	APVD
		A		REVISED ECO-05-011127	10OCT2005	SW	SH



1 HOUSING & PRESSURE PLATE: NYLON, BLACK.
 WIRE ENTRY SEAL: ELASTOMER, RED-IRON OXIDE.
 COUPLING RING: ZINC ALLOY, NICKEL OVER COPPER.
 RETAINING RING: ZINC ALLOY, NICKEL OVER COPPER.
 RETAINING PIN: STEEL, ZINC PLATED

- 2. WILL ACCEPT (3) POWER MALE CONTACTS.
- 3. INSULATION RANGE: .095-205

1776317-1
PART NUMBER

<small>THIS DRAWING IS A CONTROLLED DOCUMENT FOR TYCO ELECTRONICS CORPORATION IT IS SUBJECT TO CHANGE AND THE CONTROLLING ENGINEERING ORGANIZATION SHOULD BE CONTACTED FOR THE LATEST REVISION.</small>		DWN S. WELDON 08NOV2004	AMP Incorporated Harrisburg, PA 17105-3608	
DIMENSIONS: INCHES		CHK H. WAKEEM 08NOV2004	NAME PLUG ASSEMBLY, SIZE 17-3, REVERSE SEX, W/METAL COUPLING RING, CIRCULAR PLASTIC CONNECTOR	
TOLERANCES UNLESS OTHERWISE SPECIFIED: 0 PLC ± 1 PLC ± 2 PLC ±0.02 3 PLC ± 4 PLC ± ANGLES ± FINISH ±		APVD H. WAKEEM 08NOV2004	RESTRICTED TO	
MATERIAL		PRODUCT SPEC	SIZE	CAGE CODE
		APPLICATION SPEC	A2	00779
		WEIGHT	DRAWING NO	1776317
CUSTOMER DRAWING		SCALE 3:1		SHEET 1 OF 1 REV A