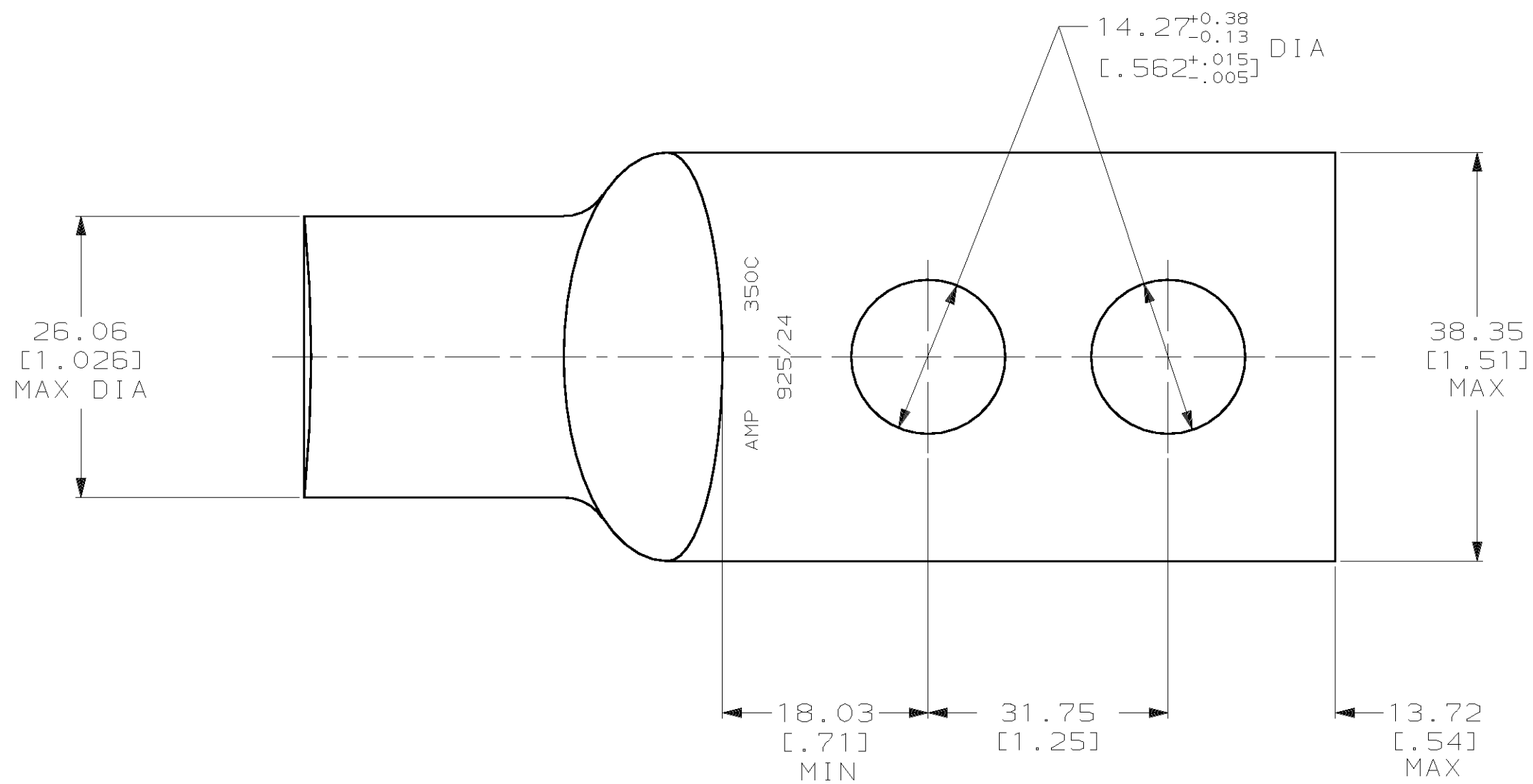
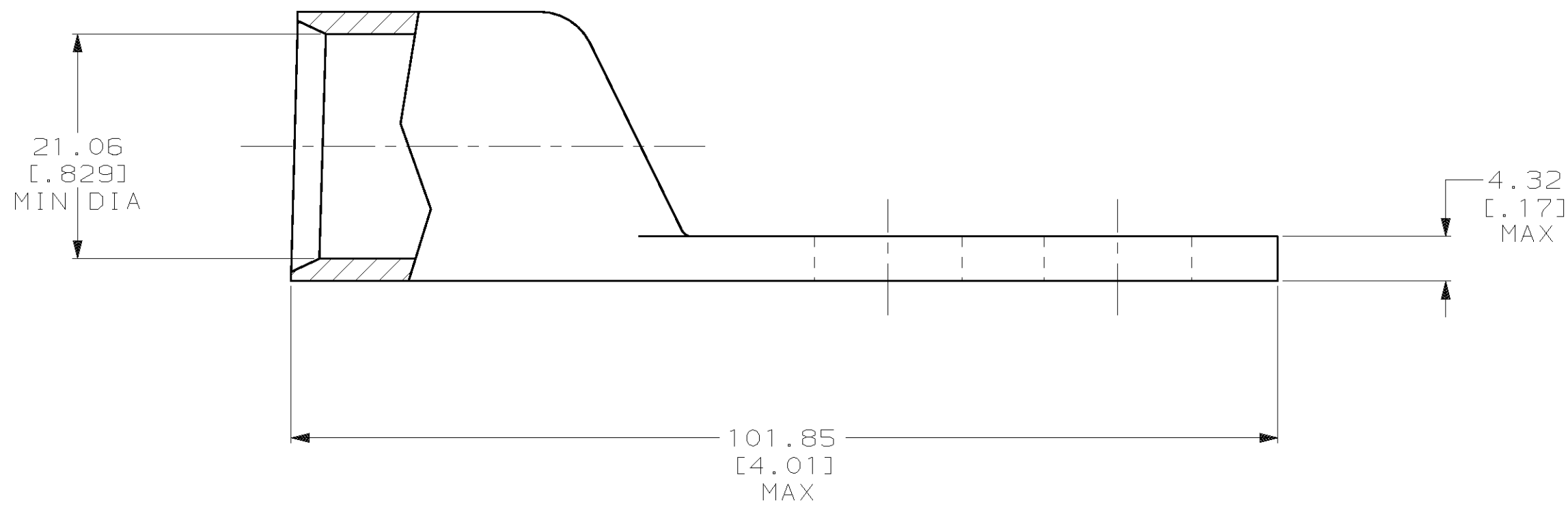


THIS DRAWING IS UNPUBLISHED. RELEASED FOR PUBLICATION ,19 .  
 © COPYRIGHT 19 BY AMP INCORPORATED. ALL INTERNATIONAL RIGHTS RESERVED.

LOC		DIST		REVISIONS				DATE	APPD
ZONE	LTR	DESCRIPTION		DATE	APPD				
G	86	P	F	G	REV PER 0G3A-0561-01	080CT02	JR/MS		



1 CIRCULAR MIL AREA RANGE: 325-375 MCM  
 2 TIN PL 0.00381 [0.000150] MIN THK PER MIL-T-10727



325926-1

PART NO

DO NOT SCALE PRINT.  
 UNLESS SPECIFIED  
 DIMENSIONS IN mm [INCHES]  
 TOLERANCES ON :  
 2 PLC DEC ± 0.51 [0.020]  
 3 PLC DEC ± -  
 ANGLES ± -  
 MATERIAL  
 ANNEALED COPPER  
 ASTM B-75

DR 03/09/90  
 DK SCHRUM  
 CHK 23JAN95  
 MS FEHER  
 APPD 23JAN95  
 WJ VOCKROTH  
 APPD 23JAN95  
 TL SHUTTER  
 PRODUCT SPEC  
 108-30200

**AMP** AMP INCORPORATED  
 Harrisburg, Pa. 17105  
 NAME  
 TERMINAL, AMPPOWER™  
 WIRE SIZE: 350 MCM



FINISH  
 APPLICATION SPEC  
 WEIGHT .259 LB

APPLICATION SPEC  
 -  
 WEIGHT .259 LB

SIZE C  
 CAGE CODE 00779  
 DRAWING NO 325926  
 SCALE 2:1  
 SHEET 1 OF 1