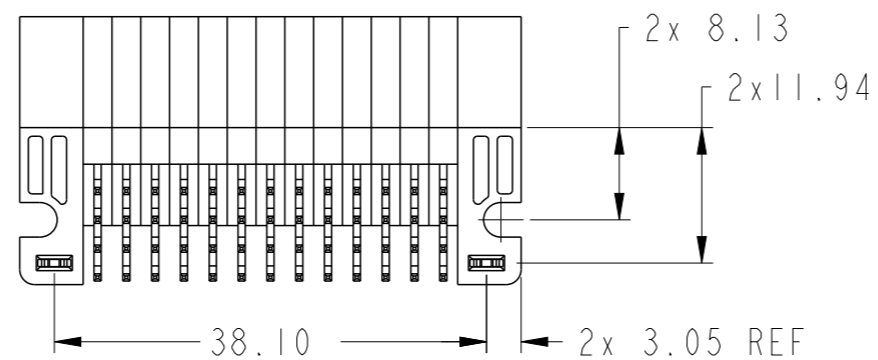
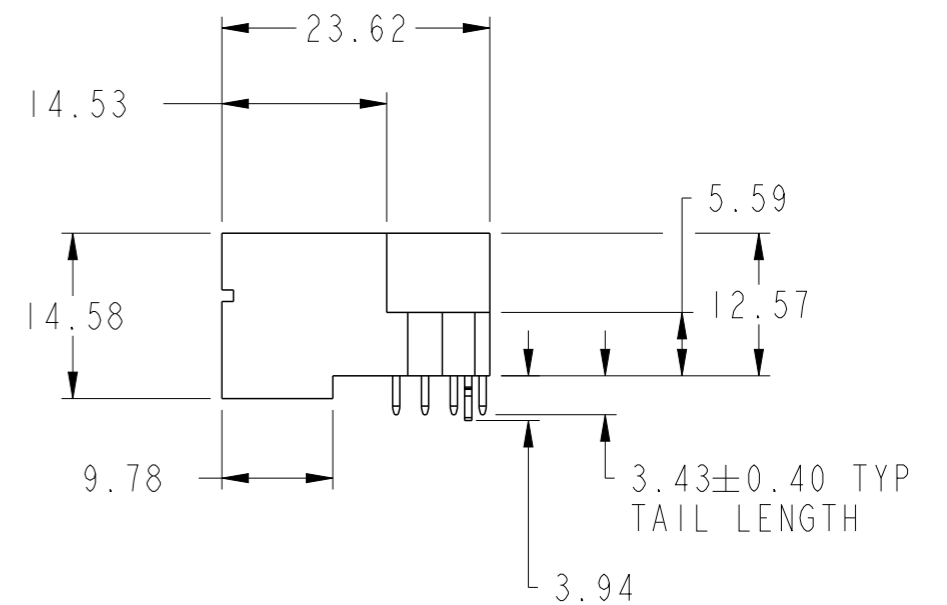
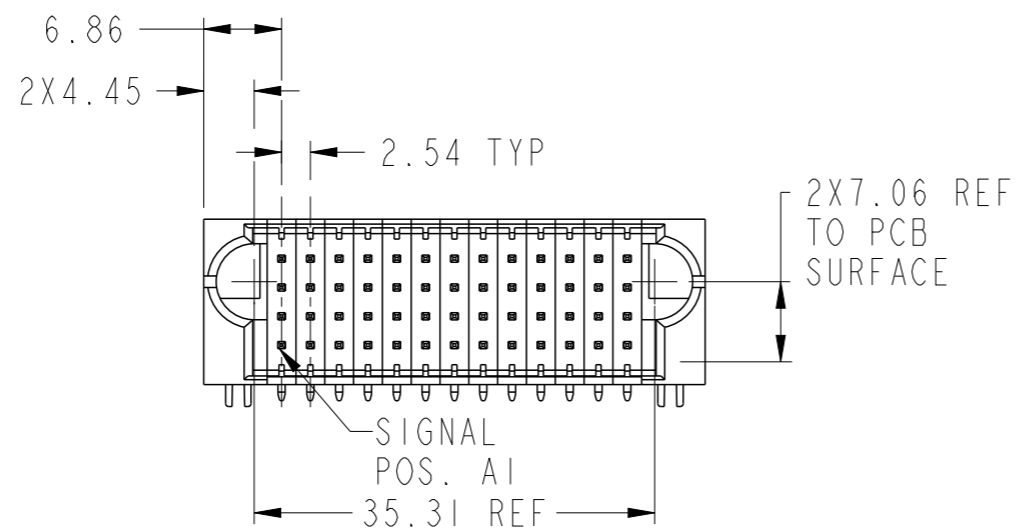
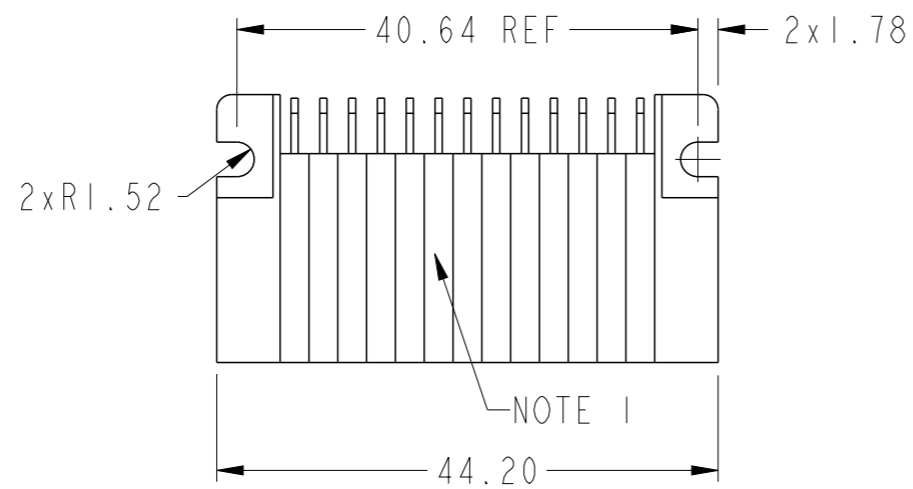
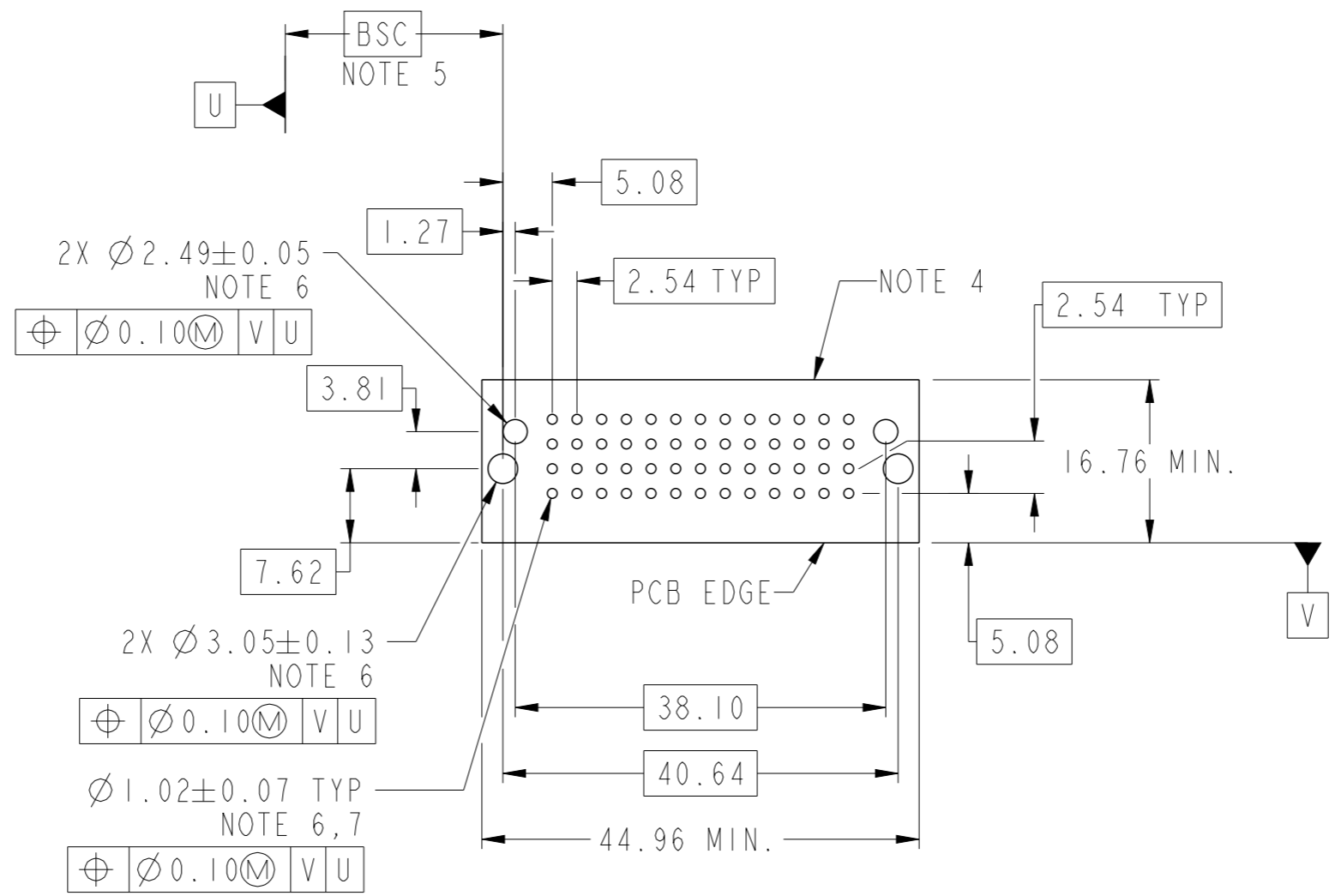


PRODUCT NUMBER SEE SHEET 2



spec ref	*	dr	Rainbow Zhan	2014/07/04	projection	MM	size	A3	scale	3:2
tolerance std	ASME Y14.5	eng	Rainbow Zhan	2014/07/15			ecn no	-	rel level	Released
TOLERANCES UNLESS OTHERWISE SPECIFIED		chr	Li-He	2014/07/14						
surface	<input checked="" type="checkbox"/> linear <input type="checkbox"/> angular	appr	Pei-Ming Zheng	2014/07/15			title 52S RA STB HEADER	dwg no 10106262-0013101	rev A	
ASME Y14.5	0.X ±0.5 0.XX ±0.25 0.XXX ±0.10	www.fci.com		cat. no.	Product - Customer Drw			sheet 1 of 3		

PRODUCT NO.	ROWS	SIGNAL													
		E1	1	2	3	4	5	6	7	8	9	10	11	12	13
10106262-001310ILF	D C B A	U	U	U	U	U	U	U	U	U	U	U	U	U	U
		T	T	T	T	T	T	T	T	T	T	T	T	T	T
		S	S	S	S	S	S	S	S	S	S	S	S	S	S
		R	R	R	R	R	R	R	R	R	R	R	R	R	



Copyright FCI.

CODE	DESCRIPTION
HA	METAL HOLD DOWN
R	STD SIGNAL CONTACT, ROW A (3.43)
S	STD SIGNAL CONTACT, ROW B (3.43)
T	STD SIGNAL CONTACT, ROW C (3.43)
U	STD SIGNAL CONTACT, ROW D (3.43)

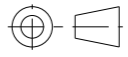
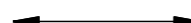

dr	Rainbow Zhan	2014/07/04	projection 	MM 	size	A3	scale	3:2
eng	Rainbow Zhan	2014/07/15			ecn no	-		
chr	Li-He	2014/07/14			product family	PwrBlade+	rel level	Released
appr	Pei-Ming Zheng	2014/07/15				title 52S RA STB HEADER	dwg no 10106262-0013101	rev A
www.fci.com			cat. no.	Product - Customer Drw		sheet 2 of 3		

NOTES:

- 1) "FCI", PART NUMBER AND DATE CODE TO BE MARKED ON THIS SURFACE.  
THE MARK CAN BE OMITTED IF THERE IS NOT ENOUGH SPACE ON THIS SURFACE.
- 2) MATERIALS:  
-HOUSING - GLASS FILLED WITH HIGH TEMP THERMOPLASTIC, UL94V-0.  
-SIGNAL CONTACT - COPPER ALLOY.  
-POWER CONTACT - HIGH CONDUCTIVITY COPPER ALLOY.
- 3) PLATING SPECIFICATION REFER TO FCI 10124315.
- 4) DENOTES CONNECTOR KEEP OUT ZONE.
- 5) DATUM AND BASIC DIMENSIONS WERE ESTABLISHED BY CUSTOMER.
- 6) ALL HOLE DIAMETERS ARE FINISHED HOLE SIZES.
- 7)  $1.15 \pm 0.025$ MM DRILLED HOLE PLATED WITH 0.00762MM MIN Sn  
OVER 0.0254-0.0762MM Cu PLATING TO ACHIEVE A  $1.02 \pm 0.07$ MM HOLE.
- 8) PRODUCT SPECIFICATION REFER TO FCI GS-12-658.  
APPLICATION SPECIFICATION REFER TO FCI GS-20-141.  
PRODUCT PACKAGED IN TRAYS, REFER TO FCI GS-14-1502.



Copyright FCI.

dr	Rainbow Zhan	2014/07/04	projection 	MM 	size	A3	scale	3:2
eng	Rainbow Zhan	2014/07/15			ecn no	-		
chr	Li-He	2014/07/14			rel level	Released		
appr	Pei-Ming Zheng	2014/07/15	product family	PwrBlade+				
		title 52S RA STB HEADER	cat. no. www.fci.com	product family Product - Customer Drw	dwg no 10106262-0013101	rev A	sheet 3 of 3	