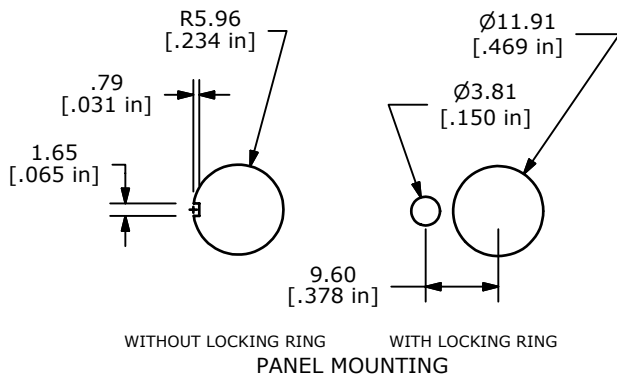
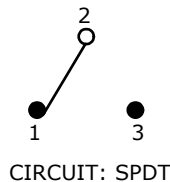
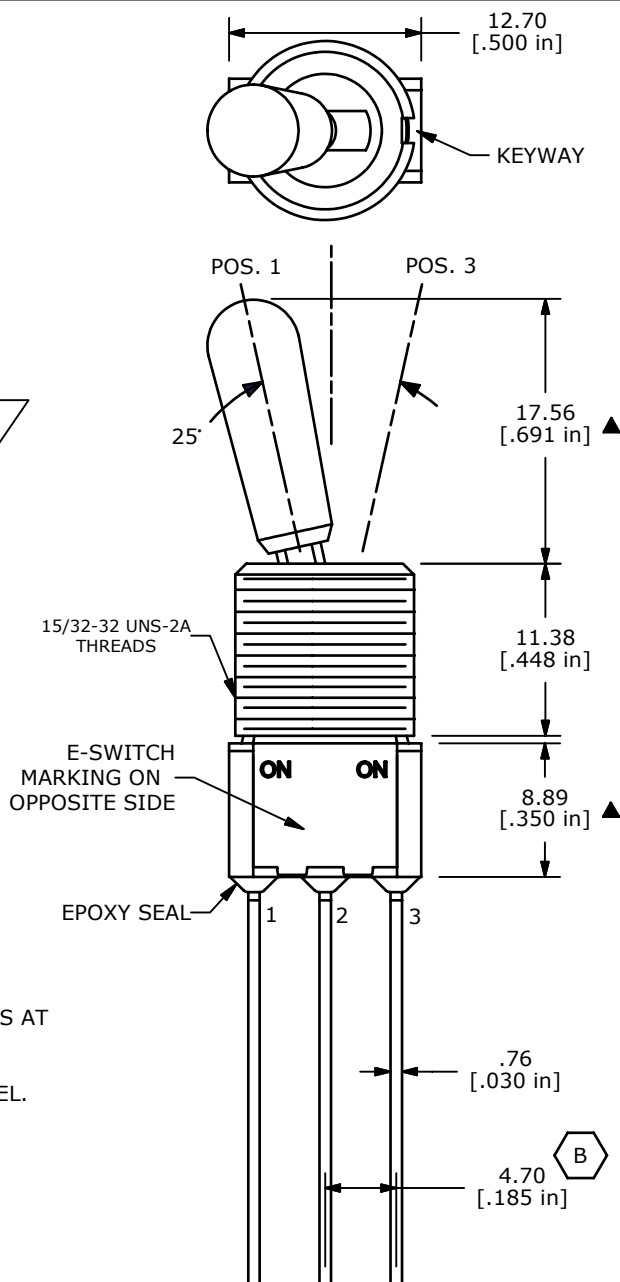


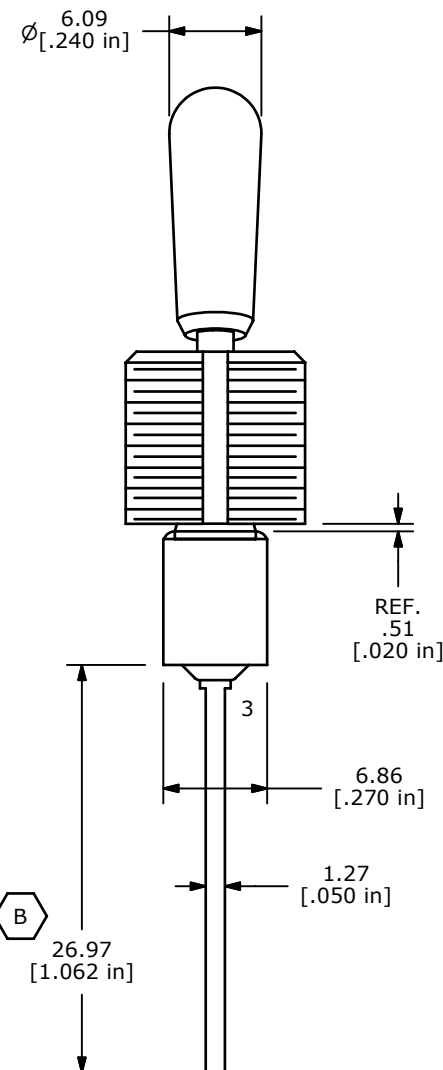
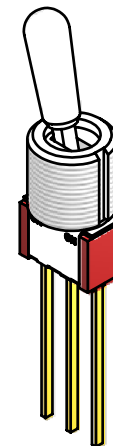
SWITCH FUNCTION		
POS. 1	POS. 2	POS. 3
ON	NONE	ON
2-3	OPEN	2-1



- NOTE:
1. ALL DIMENSIONS IN MM [INCH]
 2. GENERAL TOLERANCE: X.X=±0.4
X.XX=±0.25
 3. TERMINAL NUMBERS FOR REF ONLY
 - ▲ 4. PLATING MATERIAL: SILVER
 5. RATING: 5 AMPS @ 120VAC OR 28VDC
2 AMPS @ 250VAC
 6. ELECTRIC LIFE: 50,000 MAKE-AND-BREAK CYCLES AT FULL LOAD.
 7. INSULATION RESISTANCE: 1,000 MΩ MIN.
 8. DIELECTRIC STRENGTH: 1,000 V RMS @SEA LEVEL.
 9. OPERATING TEMP.: -30°C to 85°C
 10. ▲ DENOTES CRITICAL PARAMETER
 11. HARDWARE TO BE SHIPPED BULK:
T100004 - HEXNUT, QTY. 2
T100012 - LOCKWASHER, QTY. 1
T100003 - LOCKRING, QTY. 1



ISOMETRIC



B	17984	ADD 2 DIMENSIONS	2/26/08	BLR
A	17957	RELEASE FOR PRODUCTION	2/5/08	BLR
REV	PCR NO	DESCRIPTION	DATE	BY

TITLE 100SP1T8B13M54QEH				
SCALE 2:1	DATE 2/26/2008	DR BLR	DWG ST111129	REV B

THE INFORMATION CONTAINED IN THIS DOCUMENT IS PROPRIETARY TO E-SWITCH AND IS NOT TO BE COPIED OR TRANSFERRED