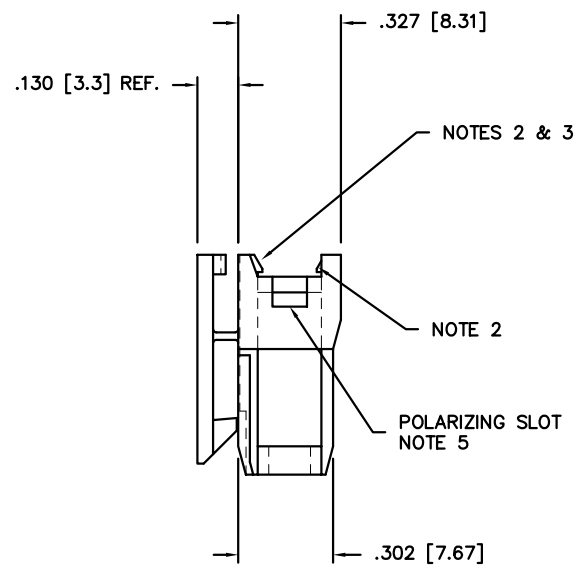
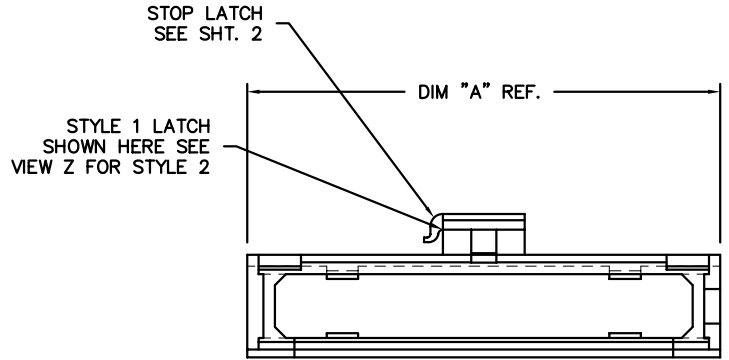
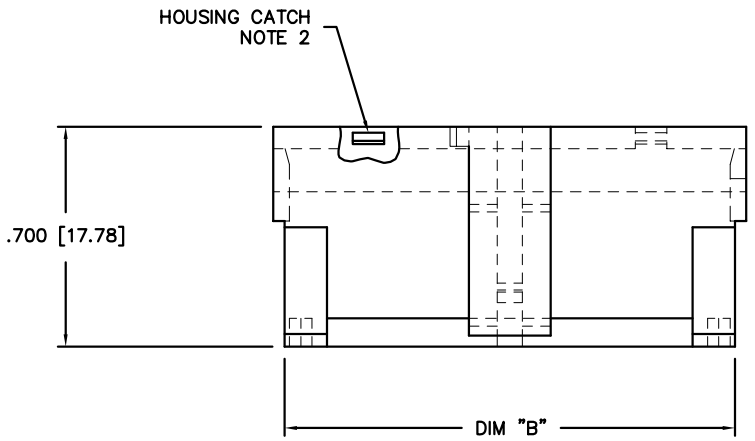


PRODUCT NUMBER
SEE TABLE



NOTES:

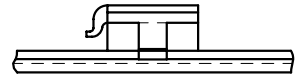
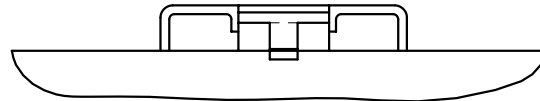
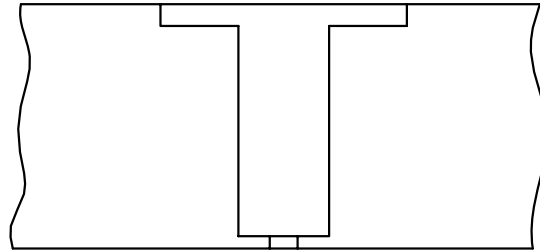
- ① MATERIAL: MODIFIED POLYPHENYLENE ETHER, FLAME RETARDANT PER UL-94V-0, COLOR: BLACK.
- ② 69149-001 TO -026 WILL HAVE FOUR HOUSING CATCHES, TWO ON FRONT & TWO ON REAR OF SHROUD, AS SHOWN. 69149-034LF AND 69149-035LF WILL HAVE TWO HOUSING CATCHES, ONE ON FRONT AND ONE ON REAR OF SHROUD, AS SHOWN.
- ③ 69149-030 TO -033 WILL HAVE ONLY ONE HOUSING CATCH, CENTERED ON FRONT SIDE OF SHROUD. P/N 69149-027 WILL HAVE TWO HOUSING CATCHES CENTERED ON FRONT AND BACK OF SHROUD.
- ④ ADD AN LF SUFFIX TO PART NUMBERS FOR PRODUCT THAT MEETS EUROPEAN UNION DIRECTIVES AND OTHER COUNTRY REGULATIONS AS DESCRIBED IN GS-22-008.
5. THIS PRODUCT IS NOT INTENDED TO BE EXPOSED TO MANUFACTURING SOLDER PROCESSES.
- ⑥ STANDARD TOLERANCES:
.XX±.01/.X±.3
.XXX±.005/.XX±.13
.XXXX±.0020/.XXX±.051



Copyright FCI

mat'l. code SEE NOTE 1		surface ✓		tolerance tolerances unless otherwise specified		projection INCH/MM		product family PV HOUSINGS	
ltr	ec'n no	dr	date	angles	linear	SEE NOTE 6		title MINI LATCH SHROUD	
B	v31287	PDP	7/28/93					INCH/MM	
C	v91202	RGD	7/13/99					scale 1:1	
D	v03-1360	PJ	2/13/04	0°±2'					
E	v04-0779	HTB	7/28/04	dr	M. CLOUSER	1/31/91	FCI		dwg no 69149
F	v05-0716	TAB	7/29/05	engr	C. TREXLER	1/30/91			sheet 1 of 2 A3
G	v06-0515	HTB	6/2/06	chr	C. TREXLER	1/30/91			type Product Customer Drawing
H	v07-0097	HTB	2007-02-01	appd	C. TREXLER	1/30/91			
sheet	revision	H	H						
index	sheet	1	2						

PRODUCT NUMBER NOTE 4	DIM A	DIM B	HOUSING POS. REF.	LATCH STYLE
69149-001		U N A V A I L A B L E		
69149-002		U N A V A I L A B L E		
69149-003		U N A V A I L A B L E		
69149-004		U N A V A I L A B L E		
69149-005		U N A V A I L A B L E		
69149-006		U N A V A I L A B L E		
69149-007		U N A V A I L A B L E		
69149-008		U N A V A I L A B L E		
69149-009		U N A V A I L A B L E		
69149-010		U N A V A I L A B L E		
69149-011		U N A V A I L A B L E		
69149-012	2.606/66.19	2.519/63.98	2 X 25	2
69149-013		U N A V A I L A B L E		
69149-014		U N A V A I L A B L E		
69149-015	2.306/58.57	2.219/56.36	2 X 22	2
69149-016		U N A V A I L A B L E		
69149-017		U N A V A I L A B L E		
69149-018		U N A V A I L A B L E		
69149-019		U N A V A I L A B L E		
69149-020	1.806/45.87	1.719/43.66	2 X 17	2
69149-021		U N A V A I L A B L E		
69149-022		U N A V A I L A B L E		
69149-023	1.506/38.25	1.419/36.04	2 X 14	2
69149-024	1.406/35.71	1.319/33.50	2 X 13	2
69149-025		U N A V A I L A B L E		
69149-026		U N A V A I L A B L E		
69149-027	1.106/28.09	1.019/25.88	2 X 10	2
69149-028		U N A V A I L A B L E		
69149-029	.906/23.01	.819/20.80	2 X 8	1
69149-030	.806/20.47	.719/18.26	2 X 7	1
69149-031	.706/17.93	.619/15.72	2 X 6	1
69149-032	.606/15.39	.519/13.18	2 X 5	1
69149-033	.506/12.85	.419/10.64	2 X 4	1
69149-034LF	.606/15.39	.519/13.18	2 X 5	1
69149-035LF	.906/23.01	.819/20.80	2 X 8	1



VIEW Z
STYLE 2
SCALE 5/1

STYLE 1
SCALE 5/1



FCconnect.com

Copyright FCI

mat'l. code SEE NOTE 1				surface <input checked="" type="checkbox"/> tolerance		projection		product family PV HOUSINGS	
ltr	ecr no	dr	date	tolerances unless otherwise specified		title		MINI LATCH SHROUD	
H				angles	linear	INCH/MM			
				0±2'		scale 1:1			
				dr	M. CLOUSER	1/31/91		sheet 2 of 2 size	
				engr	C. TREXLER	1/30/91		69149 A3	
				chr	C. TREXLER	1/30/91		type Product Customer Drawing	
				appd	C. TREXLER	1/30/91			
sheet index	revision sheet								